

Bowers & Wilkins

# Panorama 3

## Welcome to Bowers & Wilkins and Panorama 3

When John Bowers first established Bowers & Wilkins he did so in the belief that imaginative design, innovative engineering and advanced technology were keys that could unlock the enjoyment of audio in the home. That belief continues to inspire every product we design.

Panorama 3 is a network-connected, wireless active speaker that provides extremely high performance. Panorama 3 is primarily intended to be configured and controlled using the Bowers & Wilkins Music App. The app is available for both iOS and Android™ devices. Some commonly used control functions are also available via hidden-until-lit buttons on the Panorama 3's top panel. It is only possible to install and configure a Panorama 3 using the Bowers & Wilkins Music App.

Panorama 3 will enable you to:

- Listen to audio from TVs via an HDMI® ARC/eARC connection.
- Listen to audio from TVs via a digital audio optical connection.
- Listen to audio from streaming services like Tidal, Qobuz, Deezer, Spotify®, Apple Music and many others.
- Listen to audio over Bluetooth® from appropriately enabled Bluetooth source devices.
- Listen to audio playing anywhere in your home on any compatible Bowers & Wilkins wireless speaker connected to your home network.\*

The Bowers & Wilkins Music App is required to connect your Panorama 3 to your home network and establish connection with other products in your home. The Bowers & Wilkins Music App also provides some control and configuration functions during use. Before you begin your Panorama 3 installation, please download and install the Bowers & Wilkins Music App on your iOS or Android device. The Bowers & Wilkins Music App requires iOS 11.4 or later, or Android V8.1 or later. Bluetooth and WiFi services must be enabled on your iOS or Android device. You will also need to know your WiFi network password.

*Note: Location Services must be enabled on Android devices during the setup process. This is because compatible Bowers & Wilkins products use a low power form of Bluetooth (BT-LE) for service communication, which on Android devices is only enabled when Location Services are allowed. Bowers & Wilkins does not use any location services data for marketing purposes.*

\* Feature to be enabled in 2022

**1. Carton Contents**

- Panorama 3
- Power cable
- HDMI cable
- Wall bracket
- Literature pack

**2. Installing Your Panorama 3**

Your Panorama 3 is designed to work with your TV and therefore needs to be located close to it. When connected to the TV, the Panorama 3 requires both an HDMI connection and a mains power supply to operate, so it must be located within reach of a mains socket and HDMI connection. If your Panorama 3 is to use a wired connection to your home network, it will need to be located within reach of an appropriate network (Ethernet) cable.

Your Panorama 3 can be placed on a shelf, table or furniture unit, or it can be wall-mounted on the dedicated wall bracket which is included with the Panorama 3. If you decide to place your Panorama 3 on a shelf, ensure that the shelf is easily able to support the weight. The audio performance may be diminished if mounting furniture or shelf panels are flimsy or resonant.

*Note: If your Panorama 3 is to be mounted on a wall bracket, be sure to install the bracket in line with its included instructions. If you are unsure of the suitability of a wall, or of your ability to install the wall bracket, you should engage specialist help.*

Like the vast majority of speakers, your Panorama 3 radiates sound energy not only forward but also to the top, side and rear. Consequently, if your Panorama 3 is positioned close to room boundaries, or particularly in a corner, bass may become over-emphasised. If you find that bass from your Panorama 3 is too prominent, moving it to an alternative position may be beneficial, or you can lower the bass level via the Bowers & Wilkins Music App Settings menu.

**2.1 Connections**

In addition to a mains power socket, your Panorama 3 speaker also has an HDMI ARC/eARC connection, optical audio connection and a USB-C connection for service. It is possible to connect the Panorama 3 to a wired (Ethernet) connection using the Ethernet port.

*Note: Please connect your WiFi or wired LAN to a commercially available router that is certified as telecommunications terminal equipment.*

The primary recommended connection to a TV is with the HDMI connection, and we recommend that you connect the Panorama 3 to your TV's ARC socket. If your TV does not have an ARC or eARC enabled HDMI connection, then you can connect the Panorama 3 to the TV with the optical digital audio connection.

*Note: To get the best functionality and performance from your Panorama 3 with your TV, we recommend that you enable ARC (and eARC if available on your TV) and CEC. Every TV brand will have a different way to enable these features, and we recommend referring to your TV manual for more information. We also recommend setting the TV to pass-through or bypass mode to enjoy the best audio performance from Dolby®*

*Atmos®-enabled content from other devices connected to your TV.*

**2.2 Initial Connection**

With all connections made, the Bowers & Wilkins Music App installed on your mobile device and your TV configured to work with the selected connection method, your Panorama 3 is ready to be set up.

Your Panorama 3 has no mains power switch and once connected to mains will run a short start-up routine before being ready to use. The start-up routine includes booting up the speaker, connecting to the network and establishing a link to any streaming services and, therefore, can take some time to complete. During this time the Multifunction button will flash white during boot up and amber when establishing a network connection. An audio prompt will play when the start-up routine is complete.

When a Panorama 3 that has not been previously used is first switched on, it will automatically enter setup mode to enable its connection to your home network. Setup mode is indicated by a slow amber pulse illumination of the Multifunction button (see Diagram 1). The Panorama 3 will also appear in the Bowers & Wilkins Music App as available for set-up, either as a pop-up or after selecting 'Add Product' from the app settings page.

Your Panorama 3 manages its operational state and power consumption entirely automatically and will switch to a power saving mode after twenty minutes of inactivity. There is no need to ever switch off your Panorama 3; however, should you wish to do so, simply disconnect it from mains power. Your Panorama 3 will retain its settings without mains power.

**3. Restarting / Rebooting**

You can restart a Panorama 3 speaker with a short press and release of the Reset button located on its rear panel (see Diagram 1). Pressing the button will reboot the Panorama 3 off and on again. All settings will be retained when your Panorama 3 restarts. You can also restart your Panorama 3 via the Bowers & Wilkins Music App settings page.

**4. Factory Reset**

If you wish to reset your Panorama 3 to its factory default settings, press and hold the Reset button for five seconds. The Reset button location can be seen in Diagram 1. The reset process will be indicated by a red Multifunction button and an audio cue; this process will shut down the Panorama 3. On restart, your Panorama 3 will enter setup mode. All settings will be deleted when your Panorama 3 resets. You can also reset your Panorama 3 via the Bowers & Wilkins Music App Settings menu.

**5. Setting up on a Network**

With your Panorama 3 in setup mode and with its Multifunction button pulsing slowly amber, launch the Bowers & Wilkins Music App on your iOS or Android device. The app will guide you with prompts through the setup process.

*Note: Panorama 3 employs a Bluetooth connection to the device running the Bowers & Wilkins Music App during the setup process. Bluetooth signals have a relatively short range and can be interrupted by room boundaries, so we recommend that your Panorama 3 and Bowers & Wilkins Music App device remain close to the product during the setup process.*

The Bowers & Wilkins Music App requires you to create a user account. When you first download the app, you will be asked to sign into your account if you already have one or create an account. You will need to input a username and password. You can also modify the notifications for your account before setting up. Once you have created an account, you will need to validate the email address by clicking the link that will have been sent to your email address.

The Bowers & Wilkins Music App will first search for any products in setup mode and then will automatically prompt you to start the setup process. Alternatively, you can set up a new product from the settings menu by selecting 'Add product' under the 'Your devices' section.

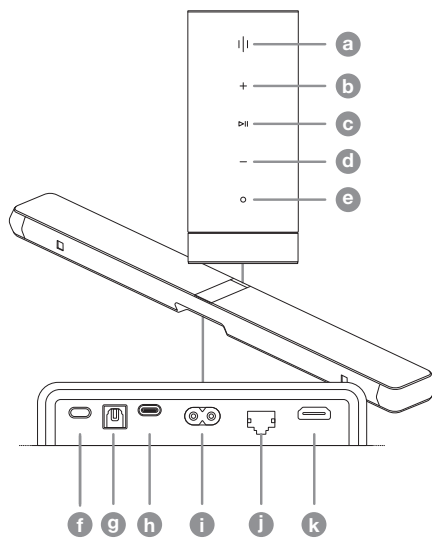


Diagram 1  
Panorama 3 control panel and connectors

**Buttons / Connectors**

- a** Multifunction
- b** Volume Up
- c** Play/Pause
- d** Volume Down
- e** Voice Assistant
- f** Reset
- g** Digital Input
- h** Service
- i** Power
- j** Ethernet
- k** HDMI (ARC/eARC)

The setup process in the Bowers & Wilkins Music App will ask you to name the 'Space' in which your Panorama 3 is to be used. A list of suggested space names is provided but you can also create your own. When you have selected or created a space name, the app will ask you to press the Multifunction button on the top of your Panorama 3 to confirm the selection.

If a wireless network connection for your Panorama 3 is to be used, the next setup stage is to connect your Panorama 3 to your home WiFi network. The app will ask you to confirm the correct WiFi network and ask you to input its password. Alternatively, if your Panorama 3 is connected to your network router using an Ethernet cable, this stage of the setup process will be bypassed.

*Note: If you already have other Bowers & Wilkins-compatible products connected to your WiFi network, the Panorama 3 will not require you to input your WiFi password as this will be shared securely via the Quick Connect function.*

With WiFi network configuration and space selection complete, you will need to configure the input you have selected for the connection to the TV. The app will step you through setting up your TV. If you have connected to the TV with HDMI ARC/eARC, the Bowers & Wilkins Music App will show you how to connect the Panorama 3 to the TV and enable CEC. This allows you to control the audio on the Panorama 3 with your TV or set-top box remote control. If you have connected the TV with the optical connector, the Bowers & Wilkins Music App will show you how to connect the Panorama 3 to the TV and disable the TV's internal speakers. You will next be asked if you want the Panorama 3 to learn the IR commands of your TV remote, allowing you to control the Panorama 3 with this remote.

*Note: If the Panorama 3 does not receive IR commands during the setup process, you may need to enable IR support on external devices on your TV. Please refer to your TV manual for further information.*

## 6. Standalone Bluetooth Setup

It is possible to use your Panorama 3 over Bluetooth without the need to connect the product to a network. With your Panorama 3 in setup mode – indicated by the Multifunction button pulsing slowly amber – press and hold the Multifunction button for 5 seconds. The Panorama 3 will play an audio prompt and the Multifunction button will flash blue. This indicates that the Panorama 3 is in Bluetooth pairing mode and can be connected to via your source device's Bluetooth menu. The Panorama 3 will be available in the Bluetooth menu under the name 'Panorama 3'.

*Note: In this configuration, the product can no longer be set up onto a network. To connect the Panorama 3 onto a network when in Standalone Bluetooth mode, you will need to perform a factory reset of the product via the Reset button on the rear of the product (see section 4).*

The Panorama 3 can be paired with multiple devices by pressing and holding the Multifunction button for 5 seconds to enter pairing mode. The Panorama 3 can support pairing with up to eight devices.

*Note: The Panorama 3 will remain in pairing mode for 2 minutes and time out if no device is paired within that time. To re-enter pairing mode*

*press and hold the Multifunction button.*

## 7. Using Your Panorama 3

### 7.1 Spaces

Spaces are a core concept of the Bowers & Wilkins Music App and compatible products. A 'Space' is a room or a specific area in your home in which you listen to music. It is not possible to use the Panorama 3 with any other device in the same space.

### 7.2 Dolby Support

The Panorama 3 will support Dolby Digital audio in the following formats:

- Dolby Digital
- Dolby Digital Plus™
- Dolby Atmos
- Dolby TrueHD

For all of these audio formats, the Panorama 3 will automatically optimise playback and provide the best audio performance possible.

### 7.3 Streaming Music

You can use your Panorama 3 to play audio from streaming services such as Spotify, Apple Music, Qobuz and Tidal. These can be streamed directly from the Bowers & Wilkins Music App, Spotify Connect®, AirPlay® 2 or Bluetooth.

### 7.4 Playing Audio via the Bowers & Wilkins Music App

Once you have connected to your product and enabled a music streaming service in the Bowers & Wilkins Music App, you can browse music from your streaming service. Once you have selected the track you want to play, simply click the 'Play' button. If you only have a single space, the music will automatically play in that space. If you have multiple spaces, clicking 'Play' will display a list of the available spaces in your home, and selecting a space will play the audio through the selected space.

### 7.5 Playing Audio via Spotify Connect

Use your phone, tablet or computer as a remote control for Spotify. Go to <https://www.spotify.com/> connect to learn how.

### 7.6 Playing Audio via AirPlay

AirPlay enables apps on Apple mobile, laptop or desktop devices to stream audio over a network to any AirPlay-compatible speakers, such as Panorama 3. AirPlay-enabled apps will display the AirPlay icon.

To use AirPlay, open the app you wish to use and select the content you wish to play. Tap on the AirPlay icon to display a list of available devices followed by the space name you wish to use.

## 7.7 Playing Audio via Bluetooth

Bluetooth enables audio apps on mobile, laptop or desktop devices to stream material over a wireless connection to your Panorama 3.

To use Bluetooth, you will first need to pair your device to the Panorama 3. On the Bowers & Wilkins Music App, select Settings and then select the space that contains the device you want to pair with. Selecting 'Pair new device' will put the Panorama 3 into Bluetooth pairing mode. Go to the Bluetooth menu of your device and pair it with the Panorama 3. The Panorama 3 will use the space name in the Bluetooth pairing menu. Once paired, you can play audio via any app on your source device. You can see a list of the devices paired to your Panorama 3 in the Bowers & Wilkins Music App.

*Note: The Panorama 3 will remain in pairing mode for 2 minutes and time out if no device is paired within that time. To re-enter pairing mode, repeat the steps above.*

## 8. Bowers & Wilkins Music App

The Bowers & Wilkins Music App opens on the main page. At the bottom of the page are four navigation icons for the main sections of the app: browse, library, search and settings. The icon illuminated in yellow indicates which page you are on.

### 8.1 Browse

The browse page of the Bowers & Wilkins Music App has content arranged in multiple rows in a ribbon view that you can search through by swiping right and left. The browse page shows recommended playlists that are generated based on your musical taste, your recently played music and some recommended playlists curated by Bowers & Wilkins. You can also scroll down and browse music from any specific streaming services you have linked to your app.

*Note: The recommendations are based on the genres, artists, albums and tracks that you have liked. To like any material, simply click the heart symbol. The more you like, the better the recommendations will be. Your recommendations will stay with you and your Bowers & Wilkins account and are not linked to your music streaming service.*

### 8.2 Library

The library page groups together all the material that you have liked either in the Bowers & Wilkins Music App or in any of your streaming services. You can search content here by music, podcasts and radio. If you have liked material in a streaming service native app, it may not appear in the Bowers & Wilkins Music App Library straight away.

### 8.3 Search

You can search for any music via the search function in the Bowers & Wilkins Music App. The app will search for results from all your linked streaming services.

## 8.4 Settings

The settings pages allow you to configure multiple products within your home. The settings page is split into different sections:

- **Your Spaces**  
This section lists all the spaces within your home and from this you can configure individual devices.
- **Your Account**  
This section allows you to modify your account details and link any music services to your app.
- **Your Products**  
This is where you can trigger any updates that are available for any of your products in your home.

## 8.5 Linking Streaming Services

The Bowers & Wilkins Music App enables you to select and play music from a number of streaming services, such as Qobuz, Tidal, Deezer and many more. To do this, the Bowers & Wilkins Music App needs to be linked to your music streaming service. This can be done in settings via the 'Link Services' button in 'Your Account'. Simply tap and follow the on-screen instructions.

## 8.6 Player View

When audio is playing on the Panorama 3, you can control the volume, play/pause the audio, skip forward and skip back. The Player view can be minimised by pressing the down arrow on the top left of the screen. This minimises the player view to the bottom of the main screen. This can be maximised by tapping on the mini player view at any time.

## 9. Software Update

Panorama 3 is a network-connected speaker and, as such, reliability improvements, new functions and new features can be enabled via software updates. When a software update is available for any product on your network, a tag is marked on the settings icon. Going to the settings page will display the available update. Tapping this will trigger an update for all the products on the network that require an update.

## 10. Audio Adjustments

The placement of any speaker can have an impact on the audio. Placing a speaker close to a wall can over-emphasize the bass, and if the speaker is not facing you, the high frequency content can be lowered. Therefore, it is possible to adjust the bass and treble settings of your Panorama 3 to allow greater flexibility in positioning within your room. To access these settings, select Settings and then the name of the space with the product you wish to adjust, then select the device. You can then adjust the bass and treble from -6dB to +6dB. The settings will be stored by the Panorama 3 when the power is disconnected but will be reset after a factory reset.

## 11. Amazon Alexa

The Panorama 3 is a smart speaker with the Amazon Alexa voice assistant inbuilt. To enable this feature, go to the device level settings page within the

Bowers & Wilkins Music App. Select Settings and then choose the space containing the Panorama 3 on which you wish to enable the voice assistant. Next, select the device. The device settings page will be displayed. You can enable Amazon Alexa here by linking to your Amazon account: simply click the link and follow the instructions. You can unlink your Panorama 3 from your Alexa account at any time.

To talk to Alexa, simply say the trigger word, 'Alexa' or press the Voice Assistant button on the Panorama 3. Pressing and holding the Voice Assistant button will mute the Alexa microphones.

## 12. Panorama 3 Controls

Your Panorama 3 has buttons on the upper rear panel that provide play/pause control, volume adjustment and voice assistant – see Diagram 1.

Pressing Play/Pause will alternately stop and restart audio playback.

Pressing Volume Up (+) or Volume Down (-) will adjust the volume of any audio that is being played. Pressing and holding the + and - buttons will continuously increase or decrease volume.

Touching the Multifunction button will cycle through and play the active streams and sources available to the Panorama 3. The Panorama 3 Multifunction button illumination changes to indicate a variety of operational states. The illuminations are displayed in Diagram 2.

Pressing the Voice Assistant button allows you to talk to the voice assistant without needing to say the trigger word. This functionality requires a voice service to be enabled on your Panorama 3.

## 13. Cleaning

Should your Panorama 3 need cleaning, you can wipe its top surface with a clean, lint-free cloth and brush its grille with a soft brush. If you wish to use any cleaning fluid, apply it onto the cleaning cloth and not directly onto the Panorama 3. Test a small area first, as some cleaning products may damage some of the surfaces. Avoid products that are abrasive, or contain acid, alkali or antibacterial agents.

## 14. Support

Should you require further help or advice regarding your product, please visit the support site: [www.bowerswilkins.com/support](http://www.bowerswilkins.com/support).

## 15. Environmental Information

This product automatically manages its power state without the need for any interaction. When connected to a network and not in use, power consumption is automatically reduced below 2 watts.

This product complies with international directives, including but not limited to the Restriction of Hazardous Substances (RoHS) in electrical and electronic equipment, the Registration, Evaluation, Authorisation and restriction of Chemicals (REACH) and the disposal of Waste Electrical and Electronic Equipment (WEEE). Consult your local waste disposal authority for guidance on how properly to recycle or dispose of this product.










Illumination		Operational state
Flashing white		Start-up in progress
Pulsing amber		Ready for setup
Flashing amber		Firmware update in progress
Pulsing white		Audio pull in progress
Pulsing red		Error – contact support
Solid red		Error – contact support
Flashing red		Factory reset in progress
Flashing blue		Bluetooth pairing mode
Solid blue		Bluetooth connection established

Diagram 2  
Multifunction indicator illuminations

## Specifications

Technical Features	Compatible with Bowers & Wilkins Music App Apple AirPlay 2 Spotify Connect Bluetooth Alexa enabled Dolby TrueHD Discrete Dolby Atmos 3.1.2 HDMI eARC
Audio Format Support	Dolby Atmos Dolby Digital True HD Dolby Digital Plus LPCM
Bluetooth	5.0, class 2
Bluetooth Codecs	aptX™ Adaptive AAC SBC
AirPlay 2 Compatibility	iPhone, iPad, and iPod touch with iOS 11.4 or later, Apple TV 4K or Apple TV (4th Generation) with tvOS 11.4 or later, Mac or PC with iTunes 12.8 or later
Amplifier Power Output	400W
Drive Units	3x 19mm (0.75") Titanium dome tweeter 6x 50mm (2") Woven glass fibre cone bass/midrange 2x 50mm (2") Woven glass fibre cone Atmos drive unit 2x 100mm (4") Low profile bass unit
Frequency Response	43Hz–48kHz
Dimensions	65mm (h) x 1210mm (w) x 140mm (d)
Weight	6.5kg
Connections	1x HDMI ARC/eARC 1x Digital Audio In (Toslink) 1x RJ45 Ethernet 1x USB-C (service only)
Input Voltage	100V–240V, 50/60Hz
Standby Power Consumption	Below 2 watts

The terms HDMI and HDMI High-Definition Multimedia Interface, and the HDMI Logo are trademarks or registered trademarks of HDMI Licensing Administrator, Inc. in the United States and other countries. Dolby, Dolby Atmos and Dolby Digital Plus are registered trademarks of Dolby Laboratories. Apple, AirPlay, Apple Music, iOS, iPhone, iPad, iPod touch, iTunes, Apple TV, Mac, macOS, OS X, and tvOS are registered trademarks of Apple Inc., registered in the U.S. and other countries. The trademark "iPhone" is used in Japan with a license from Aiphone KK. Spotify and Spotify Connect are trademarks of Spotify AB. Spotify Connect availability may depend on your region, please check [www.spotify.com](http://www.spotify.com) for more details. Amazon, Alexa, and all related logos are trademarks of Amazon.com, Inc. or its affiliates. Android is a trademark of Google LLC. aptX is a product of Qualcomm Technologies, Inc. and/or its subsidiaries. aptX is a trademark of Qualcomm Technologies International, Ltd., registered in the United States and other countries. The Bluetooth word mark and logos are registered trademarks owned by the Bluetooth SIG, Inc. and any use of such marks by Bowers & Wilkins is under license. Other trademarks and trade names are those of their respective owners.

## Bienvenue à Bowers & Wilkins et à Panorama 3

Lorsque John Bowers a créé Bowers & Wilkins, il l'a fait avec la conviction qu'une conception imaginative, une ingénierie innovante et des technologies de pointe étaient les clés qui pourraient libérer le plaisir de l'audio à domicile. Ces convictions continuent d'inspirer chaque produit que nous fabriquons.

La Panorama 3 est une enceinte active sans fil connectée hautes performances. La Panorama 3 est principalement destinée à être configurée et pilotée via l'application Bowers & Wilkins Music. Cette application est disponible à la fois pour les appareils iOS et Android™. Certaines fonctions de commande couramment utilisées sont également disponibles via des boutons cachés jusqu'à ce qu'ils s'illuminent sur le panneau supérieur de la Panorama 3. Toutefois, il n'est possible d'installer et de configurer la Panorama 3 qu'à l'aide de l'application Bowers & Wilkins Music.

La Panorama 3 vous permettra :

- D'écouter le flux audio issu de votre TV via la connexion HDMI® ARC/eARC
- D'écouter le flux audio issu de votre TV via la connexion audio optique numérique
- D'écouter de la musique issue de plateformes de streaming comme Tidal, Qobuz, Deezer, Spotify®, Apple Music et bien d'autres.
- D'écouter de la musique via Bluetooth à partir d'appareils sources Bluetooth correctement configurés.
- D'écouter de la musique n'importe où dans votre maison sur n'importe quelle enceinte sans fil Bowers & Wilkins compatible connectée à votre réseau domestique.\*

L'application Music de Bowers & Wilkins est nécessaire pour connecter votre Panorama 3 à votre réseau domestique et pour établir la connexion aux autres produits de votre habitation. L'application Bowers & Wilkins Music offre également un certain nombre de fonctions de contrôle et de configuration pendant l'utilisation. Avant de commencer l'installation de votre Panorama 3, merci de télécharger et d'installer l'application Bowers & Wilkins Music sur votre appareil iOS ou Android. L'application Bowers & Wilkins Music nécessite iOS 11.4 ou une version ultérieure, ou Android V8.1 ou une version ultérieure. Les services Bluetooth et wifi doivent être activés sur votre appareil iOS ou Android. Vous aurez également besoin de connaître le mot de passe de votre réseau wifi.

*Remarque : les services de localisation doivent être activés sur les appareils Android pendant le processus de configuration. En effet, les produits compatibles Bowers & Wilkins utilisent une forme de faible puissance de Bluetooth (BT-LE) pour la communication de service qui, sur les appareils Android, n'est activée que lorsque les services de localisation sont activés. Bowers & Wilkins n'utilisera pas ces informations de localisation à des fins marketing.*

\*Cette fonction sera activée courant 2022

## 1. Contenu du carton

Panorama 3  
Câble d'alimentation  
Câble HDMI  
Support mural  
Ensemble de documentation

## 2. Installation et positionnement de votre Panorama 3

Votre Panorama 3 a été conçue pour fonctionner avec votre téléviseur et doit donc être installée à proximité de celui-ci. Lorsque elle est connectée au téléviseur, la Panorama 3 nécessite à la fois une connexion HDMI et une alimentation secteur pour fonctionner. Elle doit donc être située à portée d'une prise secteur et d'une connexion HDMI. Si votre Panorama 3 utilise une connexion filaire à votre réseau domestique, elle devra être positionnée à proximité d'une prise réseau accessible avec un câble Ethernet.

Votre Panorama 3 peut être placée sur une étagère, une table ou un meuble. Elle peut aussi être fixée au mur avec le support mural dédié et fourni avec la Panorama 3. Si vous décidez de placer votre Panorama 3 sur une étagère, assurez-vous que celle-ci pourra bien supporter son poids. Les performances audio pourront être sensiblement diminuées si le meuble ou l'étagère sur lequel elle est positionnée est trop mince ou si elle a tendance à vibrer.

*Remarque : si vous décidez d'installer votre Panorama 3 sur son support mural, assurez-vous de mettre en place le support conformément aux instructions fournies. Si vous n'êtes pas sûr de la solidité du mur, ou de votre capacité à installer le support mural, faites appel à un spécialiste.*

Comme la grande majorité des enceintes acoustiques, votre Panorama 3 rayonne de l'énergie sonore non seulement vers l'avant mais aussi vers le haut, les côtés et vers l'arrière. Par conséquent, si votre Panorama 3 est placée trop près des murs de la pièce, notamment dans un angle, le rendu des basses pourra sembler trop accentué. Si vous trouvez que les basses de votre Panorama 3 sont trop présentes, le fait de la déplacer vers une autre position peut être bénéfique. Vous pourrez aussi ajuster le niveau de grave via le menu Paramètres de l'application Music de Bowers & Wilkins.

### 2.1 Connexions

En plus d'une prise secteur, votre enceinte Panorama 3 dispose également d'une connexion HDMI ARC/eARC, d'une connexion audio optique et d'une connexion de service USB-C. Il est possible de connecter la Panorama 3 à un réseau filaire Ethernet au moyen de sa prise réseau Ethernet.

La connexion principale et recommandée à votre téléviseur est la connexion HDMI, et nous vous recommandons de connecter la Panorama 3 à la prise HDMI ARC de votre téléviseur. Si votre téléviseur ne dispose pas de prise HDMI compatible ARC ou eARC, vous pourrez connecter la Panorama 3 via la connexion audio numérique optique.

*Remarque : Pour obtenir les meilleures fonctionnalités et performances de votre Panorama 3 avec votre téléviseur, nous vous recommandons d'activer la fonction ARC (et eARC si elle est disponible sur votre TV) et la fonction CEC. Chaque marque de téléviseur disposera d'une option différente pour activer ces fonctionnalités, et nous vous recommandons de vous référer au manuel de votre téléviseur pour plus d'informations. Nous recommandons également de régler le téléviseur en mode "pass-through" ou "bypass" afin de profiter des meilleures performances audio et des contenus compatibles Dolby® Atmos® issus des autres appareils connectés à votre téléviseur.*

### 2.2 Première connexion

Une fois que toutes les connexions ont été établies, l'application Music de Bowers & Wilkins devra être installée sur votre appareil mobile et votre téléviseur devra être configuré selon la méthode de connexion sélectionnée. Votre Panorama 3 sera alors prête à être configurée.

Votre Panorama 3 n'a pas d'interrupteur d'alimentation secteur. Lorsqu'elle est reliée au secteur, elle exécutera une courte routine de démarrage puis elle sera prête à l'emploi. La routine de démarrage comprend la phase de démarrage de l'enceinte, la connexion réseau et l'établissement d'un lien vers tous les services de streaming, elle peut donc prendre un certain temps. Pendant ce laps de temps, le bouton multifonction clignote en blanc pendant le démarrage et en orange lors de l'établissement de la connexion réseau. Un message sonore vous avertira lorsque la routine de démarrage sera terminée.

Lorsqu'une Panorama 3 n'a jamais été utilisée, et est mise sous tension pour la première fois, elle passe automatiquement en mode de configuration pour pouvoir effectuer sa connexion à votre réseau domestique. Le mode de configuration est indiqué par un clignotement lumineux ambre lent du bouton multifonction (voir Schéma 1). La Panorama 3 apparaîtra également dans l'application Music Bowers & Wilkins comme disponible pour la configuration, soit sous forme de fenêtre contextuelle, soit après avoir sélectionné « Ajouter un produit » sur la page Paramètres de l'application.

Votre Panorama 3 gère son état de fonctionnement et sa consommation électrique de manière entièrement automatique et passe en mode économie d'énergie après vingt minutes d'inactivité. Il n'est jamais nécessaire d'éteindre votre Panorama 3, toutefois, si vous le souhaitez, débranchez-la simplement de la prise secteur. Votre Panorama 3 conservera tous ses réglages même sans alimentation secteur.

### 3. Redémarrer / Rebooter

Vous pouvez redémarrer votre enceinte Panorama 3 en appuyant brièvement puis en relâchant le bouton de réinitialisation situé sur le panneau arrière (voir Schéma 1). Appuyez à nouveau sur le bouton pour éteindre/redémarrer la Panorama 3. Tous les paramètres seront conservés suite au redémarrage de votre Panorama 3. Vous pouvez également redémarrer votre Panorama 3 via la page Paramètres de l'application Bowers & Wilkins Music.

## 4. Réinitialisation aux paramètres d'usine

Si vous souhaitez réinitialiser votre Panorama 3 à ses paramètres d'usine par défaut, maintenez le bouton de réinitialisation enfoncé pendant cinq secondes. L'emplacement du bouton de réinitialisation peut être visualisé sur le schéma 1. La prise en compte de la réinitialisation sera indiquée par le passage en rouge du bouton multifonction et par un signal sonore. Ce processus entraînera l'extinction de la Panorama 3. Au redémarrage, votre Panorama 3 entrera directement en mode de configuration. Tous les paramètres seront supprimés lors de la réinitialisation de votre Panorama 3. Vous pouvez également réinitialiser votre Panorama 3 via le menu Paramètres de l'application Bowers & Wilkins Music.

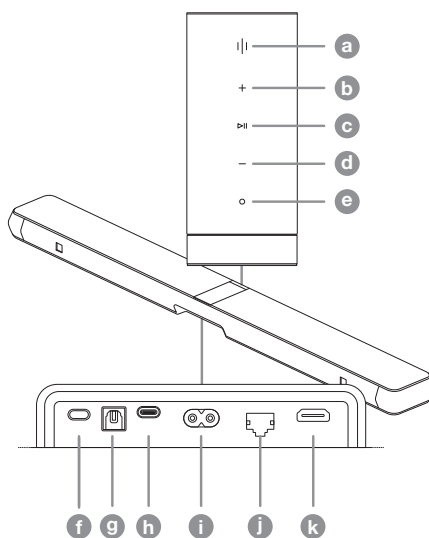
### 5. Installation sur le réseau

Lorsque votre Panorama 3 est en mode configuration et que son bouton multifonctions clignote lentement en orange, lancez l'application Music Bowers & Wilkins sur votre appareil iOS ou Android. L'application vous guidera pas à pas tout au long du processus d'installation.

*Remarque : Panorama 3 utilise une connexion Bluetooth avec l'appareil exécutant l'application Bowers & Wilkins Music pendant le processus de configuration. Les signaux Bluetooth ont une portée relativement courte et peuvent être interrompus par les limites de la pièce, nous recommandons donc que votre Panorama 3 et l'appareil exécutant l'application Bowers & Wilkins Music restent à proximité pendant le processus de configuration.*

L'application Bowers & Wilkins Music vous demandera de créer un compte utilisateur. Lorsque vous téléchargez l'application pour la première fois, il vous sera demandé de vous connecter à votre compte si vous en avez déjà un, ou de créer un compte. Vous devrez saisir votre nom d'utilisateur et votre mot de passe. Vous pouvez également modifier les notifications de votre compte avant la configuration. Une fois votre compte créé, vous devrez valider votre adresse e-mail en cliquant sur le lien qui vous aura été envoyé à cette même adresse.

L'application Bowers & Wilkins Music recherchera d'abord tous les produits qui sont en mode de configuration, puis vous invitera automatiquement à démarrer le processus de configuration. Vous pouvez également configurer un nouveau produit à partir du menu paramètres en sélectionnant « Ajouter un produit » dans la section « Vos appareils ».



#### Boutons & Connexions

- a Multifonctions
- b Monter le volume
- c Lecture/Pause
- d Baisser le volume
- e Assistant Vocal
- f Réinitialisation
- g Entrée numérique
- h Service
- i Alimentation secteur
- j Ethernet
- k HDMI ARC/eARC

Schéma 1

Panneau de commandes de la Panorama 3 et connexions



Le processus de configuration de l'application Bowers & Wilkins Music vous demandera de nommer « l'espace » dans lequel votre Panorama 3 doit être utilisée. Une liste de noms d'espaces suggérés est proposée, mais vous pouvez également créer le vôtre. Lorsque vous aurez sélectionné ou créé un nom d'espace, l'application vous demandera d'appuyer sur le bouton multifonctions situé en haut de votre Panorama 3 pour confirmer la sélection.

Si vous souhaitez utiliser une connexion réseau sans fil avec votre Panorama 3, l'étape de configuration suivante va consister à connecter votre Panorama 3 à votre réseau wifi domestique. L'application vous demandera de confirmer qu'il s'agit du bon réseau wifi, et vous demandera de saisir son mot de passe. Alternativement, si votre Panorama 3 est connectée à votre routeur réseau à l'aide d'un câble Ethernet, cette étape du processus de configuration sera ignorée.

*Remarque : si vous disposez déjà d'autres produits Bowers & Wilkins compatibles et connectés à votre réseau wifi, la Panorama 3 ne vous demandera pas de saisir votre mot de passe wifi car celui-ci sera partagé en toute sécurité via la fonction Quick Connect.*

Lorsque la configuration du réseau wifi et la sélection de l'espace sont terminées, vous devrez configurer l'entrée que vous avez sélectionnée pour la connexion au téléviseur. L'application vous guidera pas à pas pour la configuration à votre téléviseur. Si vous êtes connecté au téléviseur avec un câble HDMI ARC/eARC, l'application Bowers & Wilkins Music vous montrera comment activer la connexion de votre Panorama 3 à votre téléviseur et comment activer la fonction CEC. Cela vous permettra de contrôler le niveau audio de votre Panorama 3 avec la télécommande de votre téléviseur ou de votre box TV. Si vous avez connecté le téléviseur avec le câble optique, l'application Music Bowers & Wilkins vous indiquera comment connecter la Panorama 3 au téléviseur et vous demandera de désactiver les haut-parleurs internes du téléviseur. L'application vous demandera ensuite si vous voulez que la Panorama 3 apprenne les commandes IR de la télécommande de votre téléviseur, vous permettant ainsi de piloter la Panorama 3 avec cette télécommande.

*Remarque : Si la Panorama 3 ne reçoit pas de commandes infrarouge pendant le processus de configuration, vous devrez peut-être activer la prise en charge des commandes IR des périphériques externes de votre téléviseur. Veuillez vous référer au manuel de votre téléviseur pour plus d'informations.*

## 6. Configuration Bluetooth autonome

Il est possible d'utiliser votre Panorama 3 via Bluetooth sans avoir besoin de connecter le produit au réseau. Votre Panorama 3 étant en mode configuration avec le bouton multifonctions qui clignote lentement en orange, maintenez le bouton enfoncé pendant 5 secondes. La Panorama 3 émettra un signal sonore, et le bouton multifonctions clignotera en bleu. Cela indique que la Panorama 3 est maintenant en mode d'appairage Bluetooth et qu'elle pourra être connectée via le menu Bluetooth de vos appareils sources. La Panorama 3 sera disponible dans le menu Bluetooth sous le nom « Panorama 3 ».

*Remarque : Dans cette configuration, le produit ne peut plus être connecté à un réseau. Pour connecter votre Panorama 3 à un réseau quand elle est en mode Bluetooth autonome, vous devrez effectuer une réinitialisation usine via le bouton de réinitialisation situé à l'arrière de l'appareil (voir paragraphe 4).*

La Panorama 3 peut être jumelée avec plusieurs périphériques Bluetooth. Appuyez sur le bouton multifonctions et maintenez le enfoncé pendant 5 secondes pour entrer en mode jumelage. La Panorama 3 pourra mémoriser jusqu'à huit appareils Bluetooth.

*Remarque : La Panorama 3 restera en mode de jumelage Bluetooth pendant 2 minutes. Elle sortira automatiquement de ce mode si aucun appareil n'est jumelé pendant cette période. Pour passer la Panorama 3 en mode jumelage à nouveau, maintenez enfoncé le bouton multifonctions.*

## 7. Utilisation de votre Panorama 3

### 7.1 Les Espaces

Les Espaces sont le concept principal de l'application Bowers & Wilkins Music et des produits compatibles. Un « Espace » est une pièce ou une zone spécifique de votre habitation dans laquelle vous écoutez de la musique. Il n'est pas possible d'utiliser la Panorama 3 conjointement avec un autre appareil dans le même Espace.

### 7.2 Compatibilité Dolby

La Panorama 3 prendra en charge le flux audio Dolby Digital dans les formats suivants :

- Dolby Digital
- Dolby Digital Plus™
- Dolby Atmos
- Dolby TrueHD

Pour tous ces formats audio, la Panorama 3 optimise automatiquement la lecture et délivre les meilleures performances audio possibles.

### 7.3 Diffusion de musique en streaming

Vous pouvez utiliser votre Panorama 3 pour retranscrire le flux audio issu des plateformes de streaming telles que Spotify, Apple Music, Qobuz et Tidal. Celui-ci peut être diffusé directement depuis l'application Music de Bowers & Wilkins, Spotify Connect®, AirPlay® 2 ou Bluetooth.

### 7.4 Lecture d'un flux audio via l'application Music Bowers & Wilkins

Une fois que vous avez connecté votre produit et activé un service de streaming musical dans l'application, vous pourrez parcourir le contenu musical proposé par votre service de streaming. Après avoir sélectionné la piste que vous souhaitez lire, cliquez simplement sur le bouton « Play ». Si vous n'avez qu'un seul Espace, la musique sera automatiquement restituée dans cet Espace. Si vous avez plusieurs Espaces, une fois que vous aurez cliqué sur « Play », une liste des Espaces disponibles dans votre habitation s'affichera. Sélectionnez simplement l'Espace dans lequel vous souhaitez écouter le flux audio et il y sera retranscrit.

### 7.5 Lecture d'un flux audio via Spotify Connect

Utilisez votre téléphone, tablette ou ordinateur comme télécommande Spotify. Allez sur <https://www.spotify.com/connect> pour plus de détails.

### 7.6 Lecture d'un flux audio via AirPlay

AirPlay permet aux applications sur les appareils mobiles, portables ou de bureau de marque Apple de diffuser un flux audio sur le réseau vers toutes les enceintes compatibles AirPlay, comme la Panorama 3. Les applications compatibles AirPlay affichent l'icône AirPlay.

Pour utiliser AirPlay, ouvrez l'application choisie et sélectionnez le contenu que vous souhaitez écouter. Appuyez sur l'icône AirPlay pour afficher la liste des appareils disponibles, suivi du nom de l'Espace dans lequel vous voulez diffuser le flux audio.

### 7.7 Lecture d'un flux audio via Bluetooth

Bluetooth permet aux applications audio installées sur les appareils mobiles, portables ou de bureau, de diffuser du contenu audio via une connexion sans fil à votre Panorama 3.

Pour utiliser le Bluetooth, vous devez d'abord jumeler votre appareil avec la Panorama 3. Sur l'application Bowers & Wilkins Music, sélectionnez Paramètres, puis sélectionnez l'Espace contenant l'appareil avec lequel vous souhaitez vous connecter. La sélection de « Jumeler un nouvel appareil » mettra la Panorama 3 en mode d'appairage Bluetooth. Allez dans le menu Bluetooth de votre appareil et vous pourrez alors procéder au jumelage avec la Panorama 3. La Panorama 3 utilisera le nom de l'Espace dans le menu de jumelage Bluetooth. Une fois jumelé, vous pouvez lire un flux audio via n'importe quelle application sur votre appareil source. Vous pourrez voir la liste des appareils qui sont jumelés à votre Panorama 3 dans l'application musicale Bowers & Wilkins.

*Remarque : la Panorama 3 restera en mode de jumelage pendant 2 minutes et en sortira automatiquement si aucun appareil n'est jumelé pendant cette période. Pour repasser en mode de jumelage, répétez les étapes ci-dessus.*

## 8. Application musicale Music de Bowers & Wilkins

L'application Bowers & Wilkins Music s'ouvre sur la page principale. Au bas de la page se trouvent quatre icônes de navigation vers les principales sections de l'application. Il s'agit de : la navigation, la bibliothèque, la recherche et les paramètres, l'icône illuminée en jaune indique dans quelle section vous vous trouvez.

### 8.1 Parcourir

La page de navigation de l'application Music de Bowers & Wilkins a un contenu organisé en plusieurs rangées avec une vue en ruban que vous pouvez parcourir en faisant glisser votre doigt vers la droite et la gauche. La page de navigation affiche les listes de lecture recommandées, et générées en fonction de vos goûts musicaux, de la musique que vous avez récemment écoutée et de certaines listes de lecture recommandées et proposées par Bowers & Wilkins. Vous pouvez également faire défiler et parcourir la musique à partir de n'importe quel service de streaming spécifique que vous aurez lié à votre application.

*Remarque : Les recommandations sont basées sur les genres, les artistes, les albums et les pistes que vous avez aimés. Pour aimer n'importe quel matériel, cliquez simplement sur le symbole du cœur. Plus vous aimez de morceaux, et meilleures seront les recommandations. Vos recommandations ne seront attachées qu'à vous et à votre compte Bowers & Wilkins et ne sont pas liées à votre plateforme de streaming.*

### 8.2 Bibliothèque

La page Bibliothèque regroupe tout le contenu que vous avez aimé soit dans l'application Bowers & Wilkins Music, soit dans l'un de vos services de streaming. Vous pouvez rechercher du contenu ici par musique, podcasts et radio. Si vous avez aimé le contenu d'une application native d'un service de streaming, il se peut qu'il n'apparaisse pas immédiatement dans la bibliothèque d'applications musicales Bowers & Wilkins.

### 8.3 Chercher

Vous pouvez rechercher n'importe quel morceau de musique via la fonction de recherche de l'application musicale Bowers & Wilkins. L'application recherchera les résultats dans toutes les plateformes de streaming liées à l'application.

## 8.4 Paramètres

Les pages Paramètres vous permettent de configurer les différents appareils situés dans votre habitation. La page des paramètres est divisée en différentes sections :

- **Vos espaces**  
Cela répertorie tous les Espaces de votre maison et à partir de là, vous pouvez configurer individuellement chacun des appareils
- **Votre compte**  
Cette section vous permet de modifier les détails de votre compte et également de lier les différents services musicaux à votre application
- **Vos produits**  
C'est à ce niveau que vous pouvez déclencher toutes les mises à jour disponibles pour l'un des appareils de votre habitation.

## 8.5 Lier les services de diffusion musicale

L'application Bowers & Wilkins Music vous permet de sélectionner et de lire de la musique issue de nombreux services de streaming tels que Qobuz, Tidal, Deezer et bien d'autres. Pour ce faire, l'application Bowers & Wilkins Music doit être liée à votre service de streaming musical. Cela peut être fait dans les paramètres via le bouton « Lier les services » dans « Votre compte ». Appuyez simplement sur ce lien et suivez les instructions à l'écran.

## 8.6 Vue en Lecture

Lorsqu'un flux audio est en cours d'écoute sur la Panorama 3, vous pouvez contrôler le volume, lire / mettre en pause le flux audio, avancer et reculer. La vue en lecture peut être réduite en appuyant sur la flèche dirigée vers le bas en haut à gauche de l'écran. Cela permet de minimiser la vue du lecteur en bas de l'écran principal. Vous pouvez la maximiser à tout moment en appuyant sur la vue réduite.

## 9. Mise à jour logicielle

La Panorama 3 est une enceinte connectée au réseau et, en tant que telle, des améliorations peuvent être apportées sur le plan de sa fiabilité, et de nouvelles fonctions peuvent être activées via des mises à jour logicielles. Lorsqu'une mise à jour logicielle est disponible pour un appareil se trouvant sur votre réseau, une notification apparaît sur l'icône des Paramètres. En accédant à la page des Paramètres, vous aurez confirmation qu'une mise à jour est disponible. Appuyez pour déclencher la mise à jour pour tous les produits du réseau qui nécessitent une mise à jour.

## 10. Réglages audio

L'emplacement de n'importe quelle enceinte acoustique peut avoir un impact sur le rendu audio. Placer une enceinte près d'un mur peut accentuer les basses et si l'enceinte n'est pas face à vous, la restitution dans les aigus pourra être réduite. C'est pourquoi il est possible d'ajuster les réglages des graves et des aigus de votre Panorama 3 pour permettre une plus grande flexibilité de positionnement dans votre pièce. Pour y accéder, sélectionnez les paramètres puis le nom de l'Espace avec le produit que vous souhaitez régler, puis sélectionnez votre appareil. Vous pouvez ensuite régler les graves et les aigus de -6dB à +6dB. Les paramètres seront stockés par la Panorama 3 même lorsque l'alimentation est coupée, mais seront effacés en cas de réinitialisation usine.

## 11. Amazon Alexa

La Panorama 3 est une enceinte intelligente pourvue de l'assistant vocal Amazon Alexa intégré. Pour activer cette fonctionnalité, accédez à la page des paramètres de l'appareil dans l'application Bowers & Wilkins Music. Sélectionnez Paramètres, puis choisissez l'Espace contenant la Panorama 3 sur lequel vous souhaitez activer l'assistant vocal. Ensuite, sélectionnez l'appareil. La page des paramètres de l'appareil s'affiche. Vous pouvez à ce niveau activer Amazon Alexa en associant votre compte Amazon. Cliquez simplement sur le lien

et suivez les instructions. Vous pourrez dissocier votre Panorama 3 de votre compte Alexa à tout moment.

Pour parler à Alexa, dites simplement le mot déclencheur, « Alexa » ou appuyez sur le bouton Voice Assistant sur votre enceinte Panorama 3. Appuyez et maintenez enfoncé le bouton Voice Assistant pour désactiver les micros Alexa

## 12. Commandes de la Panorama 3

Votre Panorama 3 dispose de boutons sur le haut du panneau arrière qui permettent de commander la lecture/pause d'un flux audio, le réglage du volume ainsi que les services vocaux- voir schéma 1.

Appuyez sur Lecture/Pause pour arrêter et redémarrer alternativement la lecture du flux audio.

Appuyez sur le bouton de volume vers le haut ou vers le bas pour régler le volume du flux audio en cours de lecture. Si vous maintenez le bouton appuyé, le volume augmentera ou diminuera de façon continue.

Appuyez sur le bouton multifonctions pour faire défiler / lire les flux audio actifs sur les différentes sources disponibles connectées à la Panorama 3. L'éclairage du bouton multifonctions de la Panorama 3 change pour indiquer les différents états de fonctionnement. Les couleurs et états sont affichés dans le schéma 2.

Appuyer sur le bouton Voice Assistant vous permet de parler à l'assistant vocal sans avoir besoin de dire le mot déclencheur. Cette fonctionnalité nécessite l'activation du service vocal sur votre Panorama 3.

## 13. Nettoyage

Si votre Panorama 3 a besoin d'être nettoyée, vous pouvez essuyer sa surface supérieure avec un chiffon propre et non pelucheux et brosser sa grille avec une brosse douce. Si vous souhaitez utiliser un produit de nettoyage, appliquez-le sur le chiffon et pas directement sur votre Panorama 3. Testez préalablement sur une petite zone, car certains produits de nettoyage peuvent endommager les surfaces. Évitez les produits abrasifs, ou contenant de l'acide, des alcalins ou des agents antibactériens.










Affichage		Etat de fonctionnement
Blanc clignotant		Démarrage en cours
Orange clignotant rapide		Prêt pour la configuration
Orange clignotant		Mise à jour du firmware en cours
Blanc clignotant rapide		Flux audio en cours
Rouge clignotant rapide		Erreur – contacter l'assistance
Rouge continu		Erreur – contacter l'assistance
Rouge clignotant		Réinitialisation usine en cours
Bleu clignotant		Mode de jumelage Bluetooth
Bleu continu		Connexion Bluetooth établie

Schéma 2

Affichages de l'indicateur multifonctions

## Informations techniques

Caractéristiques techniques	Compatible avec l'application Music Bowers & Wilkins Apple® AirPlay® 2 Spotify Connect Bluetooth Compatible Alexa Dolby TrueHD Dolby Atmos 3.1.2 Discrete HDMI eARC
Formats Audio Supportés	Dolby Atmos Dolby Digital True HD Dolby Digital Plus LPCM
Bluetooth	5.0, classe 2
Codecs Bluetooth	aptX™ Adaptive AAC SBC
Compatibilité AirPlay	iPhone, iPad, et iPod touch avec iOS 11.4 ou supérieur, Apple TV 4K ou Apple TV (4ème génération avec tvOS 11.4 ou supérieur, Mac ou PC avec iTunes 12.8 ou supérieur).
Puissance de sortie de l'amplificateur	400W
Haut-parleurs	3x 19mm (0.75") tweeters dôme titane 6x 50mm (2") médium/grave à membrane en laine de fibre de verre 2x 50mm (2") Atmos à membrane en laine de fibre de verre 2x 100mm (4") graves faible hauteur
Réponse en fréquence	43Hz–48kHz
Dimensions	65mm (h) x 1210mm (l) x 140mm (p)
Poids	6.5kg
Connexions	1x HDMI ARC/eARC 1x Entrée Audio Numérique (Toslink) 1x Ethernet RJ45 1x USB-C (pour service uniquement)
Tension d'alimentation	100V – 240V – 50/60Hz
Puissance consommée en mode veille	Moins de 2 Watts

Les termes HDMI et HDMI High-Definition Multimedia Interface, ainsi que le logo HDMI sont des marques enregistrées ou des marques de HDMI Licensing Administrator, Inc., déposées aux États-Unis et dans d'autres pays. Dolby, Dolby Atmos et Dolby Digital Plus sont des marques déposées de Dolby Laboratories. Apple, AirPlay, Apple Music, iOS, iPhone, iPad, iPod touch, iTunes, Apple TV, Mac, macOS, OS X et tvOS sont des marques déposées par Apple Inc., enregistrées aux États-Unis et dans d'autres pays. La marque "iPhone" est utilisée au Japon avec un licence d'Aiphone KK. Spotify et Spotify Connect sont des marques déposées de Spotify AB. La disponibilité de Spotify Connect peut varier selon votre pays, veuillez consulter [www.spotify.com](http://www.spotify.com) pour plus de détails. Amazon, Alexa et tous les logos associés sont des marques commerciales d'Amazon.com, Inc. ou des filiales d'Amazon. Android est une marque déposée de Google LLC. aptX est une marque commerciale de Qualcomm Technologies International, Ltd., déposée aux États-Unis et dans d'autres pays. La marque et les logos Bluetooth sont des marques déposées appartenant à Bluetooth SIG, Inc. et toute utilisation de ces marques par Bowers & Wilkins se fait sous licence. Les autres marques et noms commerciaux sont détenus par leurs propriétaires respectifs.

## Willkommen bei Bowers & Wilkins und Panorama 3

Als John Bowers das Unternehmen Bowers & Wilkins gründete, war er überzeugt, dass ein einfallsreiches, elegantes Design sowie eine innovative Konstruktion und fortschrittliche Technologien der Schlüssel für ein einmaliges Klangerlebnis in Ihrem Zuhause sind. Diese Überzeugung inspiriert uns auch weiterhin bei jedem Produkt, das wir entwickeln.

Der Panorama 3 ist ein netzwerkfähiger, kabelloser und sehr leistungsfähiger Aktivlautsprecher. Der Panorama 3 wird hauptsächlich über die Bowers & Wilkins Music App konfiguriert und gesteuert. Die App ist sowohl für iOS- als auch für Android™-Geräte verfügbar. Einige häufig verwendete Steuerfunktionen sind auch über die Touch-Tasten auf der Oberseite des Panorama 3 verfügbar, die erst sichtbar werden, wenn sie aufleuchten. Das Installieren und Konfigurieren des Panorama 3 ist nur über die Bowers & Wilkins Music App möglich.

Mit dem Panorama 3 können Sie:

- Fernsehton über eine HDMI® ARC/eARC-Verbindung hören.
- Fernsehton über eine digitale optische Audioverbindung hören.
- Audio von Streaming-Diensten wie Tidal, Qobuz, Deezer, Spotify®, Apple Music und vielen anderen hören.
- Audio über Bluetooth® von entsprechend eingestellten Bluetooth-Geräten hören.
- Audio überall in Ihrem Zuhause über jeden kompatiblen Bowers & Wilkins Wireless-Lautsprecher hören, der mit Ihrem Heimnetz verbunden ist.\*

Die Bowers & Wilkins Music App ist erforderlich, um den Panorama 3 mit Ihrem Heimnetz zu verbinden und um eine Verbindung mit anderen Produkten in Ihrem Zuhause herzustellen. Die Bowers & Wilkins Music App bietet zudem einige Steuerungs- und Konfigurationsfunktionen während des Gebrauchs. Bevor Sie mit der Installation des Panorama 3 beginnen, laden Sie bitte die Bowers & Wilkins Music App herunter und installieren Sie diese auf Ihrem iOS- oder Android-Gerät. Für die Bowers & Wilkins Music App ist iOS 11.4 oder höher bzw. Android V8.1 oder höher erforderlich. Bluetooth- und WLAN-Dienste müssen auf Ihrem iOS- oder Android-Gerät aktiviert sein. Zudem müssen Sie Ihr WLAN-Passwort kennen.

*Hinweis: Auf Android-Geräten müssen die Ortungsdienste während des Einrichtungsvorgangs aktiviert sein. Das liegt daran, dass die kompatiblen Produkte von Bowers & Wilkins für die Kommunikation einen Bluetooth-Modus mit geringem Stromverbrauch (BT-LE) verwenden, der auf Android-Geräten nur freigegeben ist, wenn die Ortungsdienste zugelassen werden. Bowers & Wilkins verwendet keine Standortdaten für Marketingzwecke.*

\* Funktion soll 2022 aktiviert werden

## 1. Lieferumfang

Panorama 3  
Netz Kabel  
HDMI-Kabel  
Wandhalter  
Beiliegende Literatur

## 2. So installieren Sie Ihren Panorama 3

Ihr Panorama 3 ist für den Betrieb an Ihrem Fernseher vorgesehen und sollte daher in dessen Nähe aufgestellt werden. Der Panorama 3 benötigt für den Betrieb am Fernseher eine HDMI-Verbindung und eine Netzstromversorgung. Daher sollte er in der Nähe einer Steckdose und des HDMI-Anschlusses aufgestellt werden. Wenn Panorama 3 eine Kabelverbindung zu Ihrem Heimnetzwerk verwenden soll, muss sich der Lautsprecher in Reichweite eines geeigneten Netzwerkables (Ethernet) befinden.

Sie können den Panorama 3 auf ein Regal, einen Tisch oder ein Möbelstück stellen. Außerdem ist die Montage mit einer speziellen Wandhalterung möglich, die mit dem Panorama 3 geliefert wird. Soll der Panorama 3 auf ein Regal gestellt werden, achten Sie bitte darauf, dass dieses stabil genug ist, um das Gewicht zu tragen. Darüber hinaus kann die Klangqualität leiden, wenn Möbelstücke oder Regalböden nicht ausreichend stabil und resonanzfrei sind.

*Hinweis: Wenn der Panorama 3 an einer Wandhalterung montiert werden soll, befolgen Sie bitte die beiliegenden Anweisungen. Wenn Sie sich nicht sicher sind, ob eine Wand geeignet ist oder ob Sie die Wandhalterung installieren können, sollten Sie eine Fachkraft hinzuziehen.*

Wie die meisten Lautsprecher strahlt auch der Panorama 3 Schallenergie nicht nur nach vorne, sondern auch nach oben, zur Seite und nach hinten ab. Wenn Sie also den Panorama 3 in der Nähe von Raumgrenzen (besonders in einer Ecke) positionieren, wird der Bass möglicherweise überbetont. Sollten Sie feststellen, dass der Bass aus Ihrem Panorama 3 zu ausgeprägt ist, probieren Sie einen anderen Standort aus. Sie können den Basspegel auch über das Konfigurationsmenü in der Bowers & Wilkins Music App absenken.

### 2.1 Anschlüsse

Neben einem Netzanschluss verfügt der Panorama-3-Lautsprecher auch über einen HDMI ARC/eARC-Anschluss, einen optischen Audioeingang und einen USB-C-Anschluss für die Wartung. Es ist möglich, den Panorama 3 über ein Kabel (Ethernet) an der Ethernet-Buchse anzuschließen.

Für den Anschluss an einen Fernseher wird vorrangig die HDMI-Verbindung empfohlen, wobei Sie den Panorama 3 an der ARC-Buchse Ihres Fernsehers anschließen sollten. Falls Ihr Fernseher keinen ARC- oder eARC-fähigen HDMI-Anschluss hat, können Sie den Panorama 3 über den optisch-digitalen Audioanschluss mit dem Fernseher verbinden.

*Hinweis: Für den vollen Funktionsumfang und höchste Leistung des Panorama 3 in Verbindung mit Ihrem Fernseher empfehlen wir, ARC (und falls an Ihrem Fernseher verfügbar auch eARC) sowie CEC zu aktivieren. Diese Funktionen werden bei den verschiedenen Fernsehern auf unterschiedliche Weise aktiviert und Sie sollten hierzu die Bedienungsanleitung Ihres Fernsehers zu Rate ziehen. Außerdem empfehlen wir, den Fernseher auf Pass-Through oder Bypass zu stellen, um bei Inhalten mit Dolby® Atmos® aus anderen Quellen, die an Ihrem Fernseher*

*angeschlossen sind, die bestmögliche Tonqualität zu erhalten.*

## 2.2 Erste Einrichtung

Nachdem alle Verbindungen hergestellt wurden und die Bowers & Wilkins Music App auf Ihrem Mobilgerät installiert und Ihr Fernseher für die gewählte Anschlussart konfiguriert ist, kann der Panorama 3 eingerichtet werden.

Der Panorama 3 hat keinen Netzschalter und ist nach einem automatischen Startvorgang betriebsbereit, sobald er an das Stromnetz angeschlossen wird. Der Startvorgang umfasst das Hochfahren des Lautsprechers, die Verbindung mit dem Netzwerk sowie die Verknüpfung zu Streaming-Diensten und kann daher etwas dauern. Während dieser Zeit blinkt die Multifunktions-taste beim Hochfahren weiß und beim Herstellen einer Netzwerkverbindung orange. Sie hören ein Tonsignal, wenn der Startvorgang abgeschlossen ist.

Wenn ein noch nicht benutzter Panorama 3 zum ersten Mal eingeschaltet wird, geht er automatisch in den Setup-Modus, um die Verbindung zu Ihrem Heimnetz zu ermöglichen. Der Setup-Modus wird durch ein langsames gelbes Pulsieren der Multifunktions-taste angezeigt (siehe Abbildung 1). Durch Tippen auf „Produkt hinzufügen“ auf der Konfigurationsseite erscheint der Panorama 3 nun auch in der Bowers & Wilkins Music App und kann eingerichtet werden.

Der Panorama 3 steuert seinen Betriebszustand und Stromverbrauch vollautomatisch und wechselt nach zwanzig Minuten Inaktivität in einen Energiesparmodus. Daher müssen Sie Ihren Panorama 3 niemals ausschalten. Wenn Sie dies trotzdem wünschen, trennen Sie ihn einfach vom Stromnetz. Der Panorama 3 behält seine Einstellungen auch ohne Netzanschluss bei.

## 3. Neustart

Sie können den Panorama 3 durch kurzes Drücken und Loslassen seiner Reset-Taste auf der Rückseite neu starten (siehe Abbildung 1). Durch Drücken der Taste wird der Panorama 3 aus- und wieder eingeschaltet. Alle Einstellungen bleiben beim Neustart des Panorama 3 erhalten. Sie können den Panorama 3 auch über die Konfigurationsseite in der Bowers & Wilkins Music App neu starten.

## 4. Auf Werkseinstellungen zurücksetzen

Wenn Sie den Panorama 3 auf die Werkseinstellungen zurücksetzen möchten, halten Sie die Reset-Taste fünf Sekunden lang gedrückt. Die Position der Reset-Taste ist in Abbildung 1 zu sehen. Der Reset-Vorgang wird durch eine rot leuchtende Multifunktions-taste sowie ein akustisches Signal angezeigt und schaltet den Panorama 3 ab. Beim Neustart wechselt Panorama 3 dann in den Setup-Modus. Beim Neustart des Panorama 3 werden alle Einstellungen gelöscht. Sie können den Panorama 3 auch über die Konfigurationsseite in der Bowers & Wilkins Music App zurücksetzen.

## 5. Einrichten in einem Netzwerk

Wenn sich Ihr Panorama 3 im Setup-Modus befindet und die Multifunktions-taste langsam gelb pulsiert, starten Sie die Bowers & Wilkins Music App auf Ihrem iOS- oder Android-Gerät. Die App führt Sie durch den Einrichtungsvorgang.

*Hinweis: Der Panorama 3 verwendet während des Setup-Vorgangs eine Bluetooth-Verbindung zu dem Gerät, auf dem die Bowers & Wilkins Music App läuft. Bluetooth-Signale haben eine relativ geringe Reichweite und können durch Wände/Hindernisse unterbrochen werden. Wir empfehlen daher, dass der Panorama 3 und das Gerät mit der Bowers & Wilkins Music App während des Einrichtungsvorgangs nahe beieinander bleiben.*

Für die Bowers & Wilkins Music App müssen Sie ein Benutzerkonto erstellen. Wenn Sie die App zum ersten Mal heruntergeladen, werden Sie aufgefordert, sich bei Ihrem Konto anzumelden, falls Sie bereits eines haben, oder ein Konto zu erstellen. Sie müssen einen Benutzernamen und das Passwort eingeben. Sie können zudem die Benachrichtigungen für Ihr Konto ändern, bevor Sie es einrichten. Sobald Sie ein Konto erstellt haben, müssen Sie Ihre E-Mail-Adresse bestätigen, indem Sie auf den Link klicken, der an Ihre E-Mail-Adresse gesendet wurde.

Die Bowers & Wilkins Music App sucht zunächst im Setup-Modus nach Produkten und fordert Sie dann automatisch zum Start des Setup-Vorgangs auf. Alternativ können Sie ein neues Produkt über das Konfigurationsmenü einrichten, indem Sie im Bereich „Ihre Geräte“ auf „Produkt hinzufügen“ klicken.

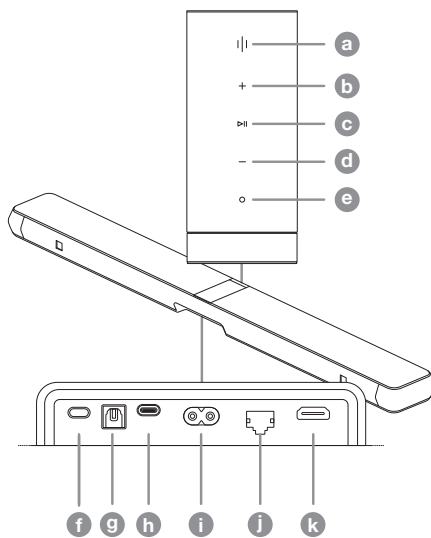


Abbildung 1  
Panorama 3 Bedienfeld und Anschlüsse

### Tasten / Anschlüsse

- a** Multifunktion
- b** Lautstärke erhöhen
- c** Wiedergabe/Pause
- d** Lautstärke senken
- e** Sprachassistent
- f** Zurücksetzen
- g** Digitaler Eingang
- h** Service
- i** Power
- j** Ethernet
- k** HDMI (ARC/eARC)

Bei der Einrichtung in der Bowers & Wilkins Music App werden Sie aufgefordert, den Raum zu benennen, in dem Ihr Panorama 3 verwendet werden soll. Sie sehen eine Liste mit vorgeschlagenen Namen für Räume, können aber auch eigene Namen erstellen. Nachdem Sie einen Raumnamen ausgewählt oder erstellt haben, fordert Sie die App auf, die Multifunktions Taste oben auf Ihrem Panorama 3 zu drücken, um die Auswahl zu bestätigen.

Wenn eine drahtlose Netzwerkverbindung für den Panorama 3 verwendet werden soll, erfolgt im nächsten Einrichtungsschritt die Verbindung des Panorama 3 mit Ihrem heimischen WLAN-Netz. Die App fordert Sie auf, das richtige WLAN-Netz zu bestätigen und das Passwort einzugeben. Falls Ihr Panorama 3 mit einem Ethernet-Kabel an Ihren Netzwerk-Router angeschlossen ist, wird dieser Einrichtungsschritt übersprungen.

*Hinweis: Wenn Sie bereits andere Bowers & Wilkins-kompatible Produkte mit Ihrem WLAN-Netz verbunden haben, erfordert der Panorama 3 keine Eingabe Ihres WLAN-Passworts, da dieses sicher über die Quick Connect-Funktion weitergereicht wird.*

Wenn das WLAN-Netzwerk konfiguriert und der Raum ausgewählt ist, müssen den für den Anschluss am Fernseher gewählten Eingang konfigurieren. Die App leitet Sie durch die Einstellung Ihres Fernsehers. Falls Sie den Fernseher über HDMI ARC/eARC angeschlossen haben, zeigt Ihnen die Bowers & Wilkins Music App, wie der Panorama 3 am Fernseher angeschlossen und CEC aktiviert wird. So können Sie die Audiowiedergabe über den Panorama 3 mit der Fernbedienung Ihres Fernsehers oder Ihrer Set-Top-Box steuern. Falls Sie den Fernseher über die optische Verbindung angeschlossen haben, zeigt Ihnen die Bowers & Wilkins Music App, wie der Panorama 3 am Fernseher angeschlossen und der eingebaute Lautsprecher des Fernsehers deaktiviert wird. Als nächstes werden Sie gefragt, ob der Panorama 3 die IR-Befehle der Fernbedienung Ihres Fernsehers erlernen soll, damit Sie den Panorama 3 mit dieser Fernbedienung steuern können.

*Hinweis: Falls der Panorama 3 während der Einrichtung keine IR-Befehle empfängt, könnte es sein, dass Sie die IR-Unterstützung externer Geräte an Ihrem Fernseher freigeben müssen. Für weitere Informationen beachten Sie bitte die Anleitung zum Ihrem Fernseher.*

## 6. Einrichten des reinen Bluetooth-Modus

Sie können den Panorama 3 auch über Bluetooth verwenden, ohne dass er mit einem Netzwerk verbunden werden muss. Wenn sich Ihr Panorama 3 im Setup-Modus befindet – angezeigt durch die langsam gelb pulsierende Multifunktions Taste – halten Sie die Multifunktions Taste 5 Sekunden lang gedrückt. Der Panorama 3 gibt ein akustisches Signal aus, die Multifunktions Taste blinkt blau. Dies zeigt an, dass sich der Panorama 3 im Bluetooth-Kopplungsmodus befindet und über das Bluetooth-Menü Ihres Quellgeräts mit ihm verbunden werden kann. Der Panorama 3 erscheint im Bluetooth-Menü unter dem Namen „Panorama 3“.

*Hinweis: In dieser Konfiguration kann das Produkt nicht auf einem Netzwerk eingerichtet werden. Um den Panorama 3 im reinen Bluetooth-Modus mit einem Netzwerk zu verbinden, müssen Sie das Produkt über die Reset-Taste auf der Geräte Rückseite auf die Werkseinstellungen zurücksetzen (siehe Abschnitt 4).*

Der Panorama 3 kann mit mehreren Geräten gekoppelt werden, indem Sie die Multifunktions Taste 5 Sekunden lang gedrückt halten, um den Kopplungsmodus zu aktivieren. Der Panorama 3 kann mit bis zu acht Geräten gekoppelt werden.

*Hinweis: Der Panorama 3 deaktiviert den Kopplungsmodus, wenn innerhalb von 2 Minuten kein Gerät gekoppelt wird. Um wieder in den Kopplungsmodus zu gelangen, halten Sie die Multifunktions Taste gedrückt.*

## 7. So verwenden Sie Ihren Panorama 3

### 7.1 Räume

Räume sind ein wichtiges Konzept in der Bowers & Wilkins Music App und bei den kompatiblen Produkten. Ein Raum ist ein bestimmter Bereich in Ihrem Zuhause, in dem Sie Musik hören. Es ist nicht möglich, den Panorama 3 im selben Raum mit anderen Geräten zu benutzen.

### 7.2 Dolby-Unterstützung

Der Panorama 3 unterstützt Dolby Digital Audio in den folgenden Formaten:

- Dolby Digital
- Dolby Digital Plus™
- Dolby Atmos
- Dolby TrueHD

Für alle diese Audioformate optimiert der Panorama 3 automatisch die Wiedergabe, um die bestmögliche Qualität zu erreichen.

### 7.3 Musik-Streaming

Mit Ihrem Panorama 3 können Sie Audio von Streaming-Diensten wie Spotify, Apple Music, Qobuz und Tidal abspielen. Das Streaming kann direkt über die Bowers & Wilkins Music App, Spotify Connect®, Airplay® 2 oder Bluetooth erfolgen.

### 7.4 Audiowiedergabe über die Bowers & Wilkins Music App

Sobald Sie Ihr Gerät verbunden und einen Musik-Streaming-Dienst in der Bowers & Wilkins Music App aktiviert haben, können Sie Musik von Ihrem Streaming-Dienst abrufen. Nachdem Sie den gewünschten Titel ausgewählt haben, tippen Sie einfach auf die Schaltfläche „Wiedergabe“. Wenn Sie nur einen einzigen Raum zugeordnet haben, wird die Musik automatisch in diesem Raum abgespielt. Wenn Sie mehrere Räume zugeordnet haben, wird durch Antippen von „Wiedergabe“ eine Liste der verfügbaren Räume in Ihrem Zuhause angezeigt. Wenn Sie nun auf den gewünschten Raum tippen, erfolgt die Audiowiedergabe in diesem Raum.

### 7.5 Audiowiedergabe über Spotify Connect

Verwenden Sie Ihr Handy, Tablet oder Ihren Computer als Fernbedienung für Spotify. Eine entsprechende Anleitung finden Sie unter <https://www.spotify.com/connect>.

### 7.6 Audiowiedergabe über AirPlay

Mit Hilfe von Airplay können Apps auf Apple-Mobilgeräten, Notebooks oder Desktops, Audio über ein Netzwerk an Airplay-kompatible Lautsprecher wie den Panorama 3 übertragen. Airplay-fähige Apps zeigen das Airplay-Symbol an.

Um Airplay zu verwenden, öffnen Sie die gewünschte App und wählen Sie die Musik aus, die Sie abspielen möchten. Tippen Sie auf das Airplay-Symbol, um eine Liste der

verfügbaren Geräte anzuzeigen, gefolgt von dem Raum, in dem Sie Musik hören möchten.

## 7.7 Audiowiedergabe über Bluetooth

Mit Hilfe von Bluetooth können Audio-Apps Inhalte auf Mobilgeräten, Notebooks oder Desktops über eine drahtlose Verbindung an den Panorama 3 übertragen.

Um Bluetooth zu verwenden, müssen Sie Ihr Gerät zunächst mit dem Panorama 3 koppeln. Wählen Sie in der Bowers & Wilkins Music App die Option Einstellungen und dann den Raum mit dem Gerät, dass Sie koppeln möchten. Wenn Sie „Neues Gerät koppeln“ auswählen, wird der Panorama 3 in den Bluetooth-Kopplungsmodus versetzt. Rufen Sie das Bluetooth-Menü Ihres Geräts auf und koppeln Sie es mit dem Panorama 3. Der Panorama 3 verwendet den Raumnamen im Bluetooth-Kopplungsmodus. Nach der Kopplung können Sie Audio über eine beliebige App auf Ihrem Quellgerät wiedergeben. In der Bowers & Wilkins Music App können Sie eine Liste der mit Ihrem Panorama 3 gekoppelten Geräte sehen.

*Hinweis: Der Panorama 3 deaktiviert den Kopplungsmodus, wenn innerhalb von 2 Minuten kein Gerät gekoppelt wird. Wiederholen Sie die obigen Schritte, um wieder in den Kopplungsmodus zu gelangen.*

## 8. Die Bowers & Wilkins Music App

Die Bowers & Wilkins Music App öffnet sich auf der Startseite. Unten auf der Seite befinden sich vier Navigationssymbole für die Hauptbereiche der App: Übersicht, Bibliothek, Suche und Einstellungen. Das gelb leuchtende Symbol zeigt an, auf welcher Seite Sie sich befinden.

### 8.1 Übersicht

Auf der Übersichtsseite der Bowers & Wilkins Music App sind Inhalte in mehreren Zeilen in einer Ribbon-Ansicht angeordnet, die Sie durch Wischen nach rechts und links durchgehen können. Die Übersichtsseite zeigt empfohlene Playlists, die basierend auf Ihrem Musikgeschmack, der kürzlich abgespielten Inhalte und einigen von Bowers & Wilkins kuratierten Playlists erstellt wurden. Sie können auch nach unten scrollen und Musik von jedem spezifischen Streaming-Dienst durchsuchen, den Sie mit Ihrer App verknüpft haben.

*Hinweis: Unsere Empfehlungen basieren auf den Genres, Künstlern, Alben und Titeln, die Ihnen gefallen haben. Mit dem Herzsymbol geben Sie an, was Ihnen gefällt. Je mehr Sie das Herzsymbol nutzen, desto besser werden die Empfehlungen. Die Empfehlungen verbleiben bei Ihnen und Ihrem Bowers & Wilkins Konto und sind nicht mit Ihrem Streaming-Dienst verknüpft.*

### 8.2 Bibliothek

Die Bibliotheksseite fasst alle Inhalte zusammen, die Ihnen in der Bowers & Wilkins Music App oder in einem Ihrer Streaming-Dienste gefallen haben. Sie können hier Inhalte nach Musik, Podcasts und Radio durchsuchen. Wenn Ihnen Inhalte in der nativen App eines Streaming-Dienstes gefallen haben, erscheinen diese möglicherweise nicht sofort in der Bowers & Wilkins Music App Bibliothek.

### 8.3 Suche

Über die Suchfunktion in der Bowers & Wilkins Music App können Sie nach beliebiger Musik suchen. Die App sucht nach Ergebnissen in allen von Ihnen verknüpften Streaming-Diensten.

## 8.4 Einstellungen

Auf der Einstellungsseite können Sie mehrere Produkte in Ihrem Zuhause konfigurieren. Die Einstellungsseite ist in verschiedene Bereiche unterteilt:

- **Ihre Räume**  
Hier werden alle Räume in Ihrem Zuhause aufgelistet, damit Sie einzelne Geräte konfigurieren können.
- **Ihr Konto**  
In diesem Bereich können Sie Ihre Kontodaten ändern und auch Musikdienste mit Ihrer App verknüpfen.
- **Ihre Produkte**  
Hier können Sie alle Updates abrufen, die für eines Ihrer Produkte in Ihrem Zuhause verfügbar sind.

## 8.5 Verknüpfen von Streaming-Diensten

Mit der Bowers & Wilkins Music App können Sie Musik aus einer Reihe von Streaming-Diensten wie Qobuz, Tidal, Deezer und vielen anderen auswählen und abspielen. Dazu muss die Bowers & Wilkins Music App mit Ihrem Streaming-Dienst verknüpft werden. Dies kann in den Einstellungen über die Schaltfläche „Dienste verknüpfen“ in „Ihr Konto“ erfolgen. Einfach antippen und dann den Anweisungen auf dem Bildschirm folgen.

## 8.6 Wiedergabefenster

Während der Audiowiedergabe über den Panorama 3 können Sie die Lautstärke regeln, den Titel abspielen/anhalten sowie vor- und zurückspringen. Das Wiedergabefenster kann durch Drücken des Abwärtspfeils oben links auf dem Bildschirm minimiert werden. Dadurch wird das Wiedergabefenster auf den unteren Teil des Hauptbildschirms minimiert. Es kann durch Tippen auf die Miniplayer-Ansicht jederzeit wieder maximiert werden.

## 9. Software-Update

Da der Panorama 3 ein vernetzter Lautsprecher ist, können Stabilitätsverbesserungen vorgenommen und neue Funktionen und Merkmale über Software-Updates bereitgestellt werden. Wenn ein Software-Update für ein Produkt in Ihrem Netzwerk verfügbar ist, erscheint eine Kennzeichnung auf dem Einstellungssymbol. Auf der Einstellungsseite sehen Sie, welches Update verfügbar ist. Wenn Sie darauf tippen, werden alle Produkte im Netzwerk aktualisiert, die ein Update benötigen.

## 10. Audioeinstellungen

Die Aufstellung eines Lautsprechers kann sich auf den Klang auswirken. Wenn Sie einen Lautsprecher in Wandnähe aufstellen, können die Bässe überbetont werden. Wenn der Lautsprecher hingegen nicht direkt in Hörrichtung abstrahlt, kann es zu einer Abschwächung der hohen Frequenzen kommen. Daher ist es möglich, die Bass- und Höheneinstellungen Ihres Panorama 3 anzupassen, um eine größere Flexibilität bei der Aufstellung in Ihrem Raum zu ermöglichen. Wählen Sie dazu in den Einstellungen den jeweiligen Raum, in dem sich das Gerät befindet, und dann das anzupassende Gerät aus. Sie können nun die Bässe und Höhen von -6 dB bis +6 dB einstellen. Die Einstellungen werden vom Panorama 3 beim Trennen der Stromversorgung gespeichert, aber nach einem Werksreset zurückgesetzt.

## 11. Amazon Alexa

Der Panorama 3 ist ein smarterer Lautsprecher mit integriertem Amazon Alexa Sprachassistent. Um diese

Funktion zu aktivieren, gehen Sie zur Seite mit den Geräteeinstellungen in der Bowers & Wilkins Music App. Wählen Sie Einstellungen und dann den Raum mit dem Panorama 3, für den Sie den Sprachassistenten aktivieren möchten. Wählen Sie anschließend das Gerät aus. Die Seite mit den Geräteeinstellungen wird angezeigt. Sie können Amazon Alexa hier aktivieren, indem Sie Ihr Amazon-Konto verknüpfen: Klicken Sie einfach auf den Link und folgen Sie den Anweisungen. Sie können Ihren Panorama 3 jederzeit von Ihrem Alexa-Konto trennen.

Um mit Alexa zu sprechen, sagen Sie einfach das Aktivierungswort „Alexa“ oder drücken Sie die Taste Sprachassistent am Panorama 3. Wenn Sie die Taste Sprachassistent gedrückt halten, werden die Alexa-Mikrofone stummgeschaltet.

## 12. Bedienelemente am Panorama 3

Oben auf der Rückseite des Panorama 3 befinden sich Tasten zur Steuerung von Wiedergabe/Pause, Lautstärke und Sprachassistenten – siehe Abbildung 1.

Durch Drücken von Wiedergabe/Pause wird die Audiowiedergabe gestoppt bzw. neu gestartet.

Durch Drücken der Tasten Lauter (+) oder Leiser (-) wird die Lautstärke der abgespielten Inhalte entsprechend angepasst. Durch Drücken und Halten der + und - Tasten wird die Lautstärke kontinuierlich erhöht oder verringert.

Durch Drücken der Multifunktions Taste können die aktiven Streams und Quellen, die für den Panorama 3 zur Verfügung stehen, der Reihe nach abgerufen werden. Die Beleuchtung der Multifunktions Taste des Panorama 3 ändert sich, um verschiedene Betriebszustände anzuzeigen. Diese Leuchtzustände sind in Abbildung 2 dargestellt.

Durch Drücken der Taste Sprachassistent können Sie mit dem Sprachassistenten sprechen, ohne das Aktivierungswort sagen zu müssen. Für diese Funktion muss ein Sprachdienst auf Ihrem Panorama 3 aktiviert sein.

## 13. Reinigung

Zum Reinigen des Panorama 3 wischen Sie die Oberseite mit einem sauberen, fusselfreien Tuch ab. Das Gitter kann mit einer weichen Bürste gereinigt werden. Wenn Sie Reinigungsflüssigkeit verwenden möchten, tragen Sie diese auf das Reinigungstuch und nicht direkt auf den Panorama 3 auf. Testen Sie zunächst an einer kleinen, unauffälligen Stelle, da einige Reinigungsprodukte bestimmte Oberflächen beschädigen können. Vermeiden Sie Produkte, die Scheuermittel, Säuren, Laugen oder antibakterielle Wirkstoffe enthalten.

## 14. Support

Wenn Sie weitere Hilfe oder Beratung zu Ihrem Produkt benötigen, besuchen Sie bitte die folgende Support-Seite [www.bowerswilkins.com/support](http://www.bowerswilkins.com/support).

## 15. Umweltinformationen

Dieses Produkt verfügt über automatische Stromsparfunktionen, die kein manuelles Eingreifen erfordern. Im Ruhezustand und bei angeschlossenem Netzwerk wird der Stromverbrauch automatisch auf unter 2 W reduziert.

Dieses Produkt entspricht den internationalen Richtlinien über die Beschränkung der Verwendung bestimmter gefährlicher Stoffe in Elektro- und Elektronikgeräten (Restriction of Hazardous Substances (kurz RoHS genannt)), der Verordnung zur Registrierung, Bewertung, Zulassung und Beschränkung chemischer Stoffe (Registration, Evaluation, Authorisation and Restriction of Chemical substances (kurz REACH)) und den Richtlinien über Elektro- und Elektronik-Altgeräte (Waste Electrical and Electronic Equipment (WEEE)). Erkundigen Sie sich bezüglich des Recyclings bzw. der Entsorgung dieses Produktes bei der örtlichen Abfallentsorgung.

Anzeige	Betriebszustand
Blinkt weiß	 Startvorgang läuft
Pulsiert gelb	 Wartet auf die Einrichtung
Blinkt gelb	 Firmware-Update wird durchgeführt
Pulsiert weiß	 Audio wird abgerufen
Pulsiert rot	 Fehler - Support kontaktieren
Konstant rot	 Fehler - Support kontaktieren
Blinkt rot	 Reset wird durchgeführt
Blinkt blau	 Bluetooth-Kopplungsmodus
Konstant blau	 Bluetooth-Verbindung hergestellt

Abbildung 2  
Multifunktionsanzeigen

## Technische Daten

Technische Merkmale	Kompatibel zur Bowers & Wilkins Music App Apple AirPlay 2 Spotify Connect Bluetooth Alexa Dolby TrueHD Discrete Dolby Atmos 3.1.2 HDMI eARC
Unterstützte Audioformate	Dolby Atmos Dolby Digital True HD Dolby Digital Plus LPCM
Bluetooth	5.0, Class 2
Bluetooth Codecs	aptX™ Adaptive AAC SBC
AirPlay 2 Kompatibilität	iPhone, iPad und iPod touch mit iOS 11.4 oder höher, Apple TV 4K oder Apple TV (4. Generation) mit tvOS 11.4 oder höher, Mac oder PC mit iTunes 12.8 oder höher
Verstärkerleistungsleistung	400 W
Treiber	3 x 19 mm (0,75") Titan-Kalottenhohtöner 6 x 50 mm (2") Tief/Mitteltöner mit Membran aus Glasfasergewebe 2 x 50 mm (2") Atmos-Treiber mit Membran aus Glasfasergewebe 2 x 100 mm (4") Tieftöner in flacher Bauform
Frequenzbereich	43 Hz – 48 kHz
Abmessungen	65 mm (H) x 1210 mm (B) x 140 mm (T)
Gewicht	6,5 kg
Anschlüsse	1 x HDMI ARC/eARC 1 x digitaler Audioeingang (Toslink) 1 x RJ45 Ethernet 1 x USB-C (nur zur Wartung)
Eingangsspannung	100 V - 240 V, 50/60 Hz
Leistungsaufnahme im Ruhemodus	Unter 2 Watt

Die Bezeichnungen HDMI und HDMI High-Definition Multimedia Interface sowie das HDMI Logo sind Warenzeichen oder eingetragene Warenzeichen der HDMI Licensing Administrator, Inc. in den Vereinigten Staaten und anderen Ländern. Dolby, Dolby Atmos und Dolby Digital Plus sind eingetragene Warenzeichen der Dolby Laboratories. Apple, AirPlay, Apple Music, iOS, iPhone, iPad, iPod touch, iTunes, Apple TV, Mac, macOS, OS X und tvOS sind eingetragene Warenzeichen der Apple Inc., eingetragen in den USA und anderen Ländern. Das Warenzeichen „iPhone“ wird in Japan mit einer Lizenz von Aiphone KK verwendet. Spotify und Spotify Connect sind Warenzeichen der Spotify AB. Die Verfügbarkeit von Spotify Connect hängt von Ihrer Region ab. Weitere Einzelheiten hierzu finden Sie unter [www.spotify.com](http://www.spotify.com). Amazon, Alexa und alle zugehörigen Logos sind Warenzeichen der Amazon.com, Inc. oder ihrer Tochtergesellschaften. Android ist ein Warenzeichen der Google LLC. aptX ist ein Produkt der Qualcomm Technologies, Inc. bzw. ihrer Tochtergesellschaften. aptX ist ein Warenzeichen der Qualcomm Technologies International, Ltd., eingetragen in den Vereinigten Staaten und anderen Ländern. Die Wortmarke Bluetooth und die Logos sind eingetragene Warenzeichen der Bluetooth SIG, Inc. und jede Verwendung dieser Warenzeichen durch Bowers & Wilkins erfolgt unter Lizenz. Andere Warenzeichen und Handelsnamen sind Eigentum ihrer jeweiligen Inhaber.



## Bienvenido a Bowers & Wilkins y al Panorama 3

Cuando John Bowers fundó nuestra compañía, lo hizo con la firme creencia de que el diseño imaginativo, la ingeniería innovadora y la tecnología avanzada eran las claves que podían desbloquear el disfrute del sonido en el hogar. Esta creencia continúa inspirando cada producto que diseñamos.

El Panorama 3 es un sistema de audio inalámbrico con conectividad a redes que proporciona unas prestaciones extremadamente altas. El Panorama 3 está destinado primordialmente a ser configurado y controlado utilizando la Bowers & Wilkins Music App, disponible tanto para dispositivos iOS como Android™. Algunas funciones de control utilizadas comúnmente también están disponibles mediante botones ocultos situados en el panel superior del Panorama 3. Sólo es posible instalar y configurar el Panorama 3 usando la Bowers & Wilkins Music App.

El Panorama 3 le permitirá:

- Escuchar audio desde un televisor mediante una conexión HDMI ARC/eARC.
- Escuchar audio desde un televisor mediante una conexión de audio digital óptica.
- Escuchar música desde servicios de streaming como Tidal, Qobuz, Deezer, Spotify®, Apple Music y muchos más.
- Escuchar música vía Bluetooth desde fuentes de audio Bluetooth adecuadamente configuradas.
- Escuchar música en cualquier lugar de su casa con cualquier producto compatible de Bowers & Wilkins instalado en su red doméstica.\*

Se requiere la Bowers & Wilkins Music App para conectar el Panorama 3 a su red doméstica y establecer conexión con otros productos de su hogar. La Bowers & Wilkins Music App también proporciona algunas funciones de control y configuración durante el uso. Antes de comenzar la instalación de su Panorama 3 le rogamos que descargue e instale la Bowers & Wilkins Music App en su dispositivo iOS o Android. La Bowers & Wilkins Music App requiere disponer de iOS 11.4 o posterior o Android v8.1 o posterior. Asimismo, deben activarse tanto Bluetooth como Wi-Fi en su dispositivo iOS o Android. También necesitará conocer la contraseña de su red Wi-Fi.

*Nota: Durante el proceso de configuración con dispositivos Android deberán activarse los Servicios de Ubicación. Esto es debido a que los productos Bowers & Wilkins compatible utilizan una forma de bajo consumo de Bluetooth (BT-LE) para comunicación de servicios que en los dispositivos Android sólo se activa cuando los Servicios de Ubicación están habilitados. Bowers & Wilkins no utilizará ningún dato de los servicios de localización para propósitos de marketing.*

\*Esta funcionalidad estará disponible en 2022

## 1. Contenido del Embalaje

Panorama 3  
Cable de alimentación  
Cable HDMI  
Soporte para montaje en pared  
Paquete con Documentación

## 2. Instalando Su Panorama 3

Su Panorama 3 está diseñado para funcionar con su televisor, a la vez que necesita estar situado cerca de este último. Cuando es conectado al televisor, el Panorama 3 requiere una conexión HDMI y una fuente de alimentación para funcionar, por lo que debe colocarse dentro del alcance de una toma de corriente eléctrica y una toma HDMI. Si su Panorama 3 va a utilizar una conexión a su red doméstica por cable, necesitará estar situado cerca de una toma de red (Ethernet) apropiada.

Su Panorama 3 puede colocarse en una estantería, una mesa o un mueble, así como en una pared con ayuda del soporte dedicado que se suministra con el producto. Si decide colocar su Panorama 3 en una estantería, asegúrese de que la misma pueda soportar sin problemas el peso del aparato. Es posible que las prestaciones sonoras disminuyan si los paneles del mueble o estante de montaje son endebles o resonantes.

*Nota: Si su Panorama 3 va a ser montado en un soporte de pared, asegúrese de instalar dicho soporte en concordancia con las instrucciones de montaje suministradas con el mismo. Si no está seguro sobre la conveniencia de una pared o sobre su capacidad para instalar el soporte de pared, debería solicitar ayuda especializada.*

Al igual que la inmensa mayoría de cajas acústicas, su Panorama 3 radia energía sonora no sólo hacia adelante sino también hacia arriba, hacia los lados y hacia atrás. En consecuencia, si su Panorama 3 está situado cerca del perímetro de la sala o, sobre todo, en una esquina, es posible que los graves se realcen en exceso. Si considera que los graves de su Panorama 3 son demasiado prominentes, moverlo a una posición alternativa puede ser beneficioso, aunque usted siempre tiene la opción de ajustar el nivel de graves desde el menú Ajustes de la Bowers & Wilkins Music App.

## 2.1 Conexiones

Además de una toma para conexión a la red eléctrica, su Panorama 3 también incluye una toma HDMI ARC/eARC, una toma de audio digital óptica y una toma USB-C para mantenimiento. Es posible conectar el Panorama 3 a una red por cable (Ethernet) utilizando el puerto Ethernet.

La opción prioritaria para conexión a un televisor es vía HDMI, por lo que le recomendamos que conecte el Panorama 3 a la toma ARC de su televisor. Si su televisor carece de toma HDMI compatible ARC o eARC, puede conectar el Panorama 3 al mismo a través de la toma de audio digital óptica.

*Nota: Para explotar al máximo las funcionalidades y prestaciones de su Panorama 3 con su televisor, le recomendamos que active las funciones ARC (y eARC en caso de que su televisor la incorpore) y CEC. Cada televisor tiene una manera diferente de activar dichas funciones, por lo que le recomendamos que consulte el manual de instrucciones del mismo para obtener información al respecto. También recomendamos que active el modo de enrutado "pass-through" o bypass de su televisor para disfrutar las mejores prestaciones sonoras posibles con contenidos Dolby Atmos procedentes de otros dispositivos conectados al mismo.*

## 2.2 Conexión Inicial

Con todas las conexiones realizadas, la Bowers & Wilkins Music App instalada en su dispositivo móvil y su televisor configurado para funcionar con el método de conexión seleccionado, su Panorama 3 ya está listo para ser configurado.

Su Panorama 3 no tiene conmutador de puesta en marcha, por lo que una vez conectado a la red eléctrica ejecutará una pequeña rutina de inicialización antes de estar listo para ser utilizado. La rutina de inicialización incluye el arranque del Panorama 3, la conexión del mismo a la red y el establecimiento de un enlace a servicios de streaming, un proceso que puede tardar algo de tiempo en completarse. Durante dicho intervalo de tiempo, el botón Multifunción parpadeará en blanco cuando se lleve a cabo el reinicio y en ámbar cuando se establezca conexión con una red. Cuando esta rutina de inicialización haya sido completada, el Panorama 3 emitirá un aviso audible.

Cuando un Panorama 3 que no ha sido usado previamente es puesto en marcha por primera vez, entrará automáticamente en el modo de configuración para permitir su conexión a su red doméstica. El modo de configuración es indicado por una pulsación lenta en ámbar del botón Multifunción (ver Diagrama 1). El Panorama 3 también aparecerá en la Bowers & Wilkins Music App como disponible para su configuración, bien como desplegable o después de seleccionar 'Añadir Producto' en la página Ajustes de la app.

El Panorama 3 gestiona su estado operativo y su consumo de energía de manera completamente automática, y conmutará a un modo de ahorro de energía al cabo de veinte minutos de inactividad. En ningún caso hay necesidad de apagar su Panorama 3, aunque, por supuesto, en el caso de que así lo deseara basta con que lo desconecte de la red eléctrica. Incluso sin estar conectado a la red eléctrica, su Panorama 3 mantendrá todos los ajustes que hayan sido realizados en el mismo.

## 3. Reinicio/Re-Arranque

Usted puede reiniciar un Panorama 3 pulsando brevemente y liberando el botón de Reinicialización - Reset- situado en su panel posterior (ver Diagrama 1). La pulsación de dicho botón hará que el Panorama 3 se desactive y arranque de nuevo. Cuando el Panorama 3 se reinicie, todos los ajustes se mantendrán. Usted también puede reiniciar su Panorama 3 desde la página Ajustes de la Bowers & Wilkins Music App.

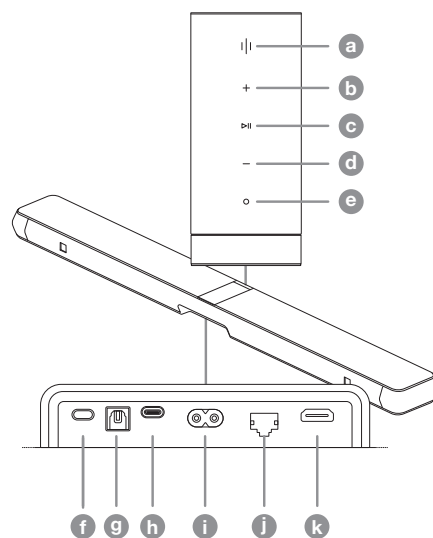


Diagrama 1  
Panel de control y conexiones del Panorama 3

## 4. Reinicialización a los Ajustes de Fábrica

Si desea reinicializar su Panorama 3 a los ajustes de fábrica (ajustes por defecto), pulse y mantenga pulsado el botón de Reinicialización -Reset- durante cinco segundos. La localización del botón de Reinicialización puede verse en el Diagrama 1. El proceso de reinicialización será indicado por la iluminación en rojo del botón Multifunción y un aviso acústico, a la vez que apagará el Panorama 3. Cuando se ponga en marcha de nuevo, su Panorama 3 entrará en el modo de configuración. Cuando su Panorama 3 se reinicialice, todos los ajustes previos serán borrados. Usted también puede reinicializar su Panorama 3 desde la página Ajustes de la Bowers & Wilkins Music App.

## 5. Configuración en una Red

Con su Panorama 3 en el modo de configuración y con el botón Multifunción del mismo pulsando lentamente en ámbar, active la Bowers & Wilkins Music App en su dispositivo iOS o Android. La app le guiará con diferentes indicaciones a lo largo del proceso de configuración.

*Nota: Durante el proceso de configuración, el Panorama 3 utiliza una conexión Bluetooth al dispositivo en el que está instalada la Bowers & Wilkins Music App. Las señales Bluetooth tienen un alcance relativamente corto y pueden ser interrumpidas por las paredes de la sala, por lo que le recomendamos que durante el proceso de configuración su Panorama 3 y el dispositivo con la Bowers & Wilkins Music App estén lo más cerca posible entre sí.*

La Bowers & Wilkins Music App requiere que usted cree una cuenta de usuario. Cuando usted descargue la app por primera vez, se le solicitará que acceda a una cuenta si ya tiene una o que cree una cuenta. Necesitará introducir un nombre de usuario y una contraseña. Usted también puede modificar las notificaciones para su cuenta antes de configurarla. Una vez haya creado su cuenta, necesitará validar la dirección de e-mail haciendo clic en el enlace que le será enviado a su dirección de e-mail.

En primer lugar, la Bowers & Wilkins Music App buscará cualquier posible producto en modo de configuración y a continuación le solicitará automáticamente que inicie el proceso de configuración. De modo alternativo, usted puede configurar un nuevo producto desde el menú Ajustes seleccionando 'Añadir Producto' debajo de la sección 'Sus Dispositivos'.

### Botones / Conectores

- a Multifunción
- b Aumentar Nivel de Volumen
- c Reproducción/Pausa
- d Reducir Nivel de Volumen
- e Asistente de Voz
- f Reinicializar
- g Entrada Digital
- h Mantenimiento
- i Alimentación
- j Ethernet
- k HDMI (ARC/eARC)

El proceso de configuración en la Bowers & Wilkins Music App le pedirá que nombre el "Espacio" en el que el Panorama 3 va a ser usado. Se le suministrará una lista de nombres de Espacio sugeridos, pero usted también puede crear el suyo propio. Cuando haya seleccionado o creado un nombre de Espacio, la app le pedirá que pulse el botón Multifunción de la parte superior del Panorama 3 para confirmar la selección.

Si va a utilizar una conexión inalámbrica para su Panorama 3, la siguiente etapa del proceso de configuración es conectarlo a su red Wi-Fi doméstica. En ese caso, la app le solicitará que confirme la red Wi-Fi correcta y le pedirá que introduzca su contraseña. De modo alternativo, si su Panorama 3 está conectado al router de su red doméstica utilizando un cable Ethernet, esta etapa del proceso de configuración será ignorada.

*Nota: Si usted ya tiene otros productos de Bowers & Wilkins compatibles conectados a su red Wi-Fi, su Panorama 3 no le pedirá que introduzca su contraseña Wi-Fi ya que será compartida de manera segura mediante la función de Conexión Rápida (Quick Connect).*

Con la red configurada en Wi-Fi y la selección de espacios ya completada, necesitará configurar la entrada que haya seleccionado para la conexión al televisor. La app le guiará durante el ajuste de su televisor. Si usted ha conectado el Panorama 3 al televisor con un cable HDMI ARC/eARC, la Bowers & Wilkins Music App le mostrará cómo llevar a cabo la conexión y cómo activar la función CEC. Esto le permite controlar el sonido de su Panorama 3 con el mando a distancia de su televisor o su sintonizador de TV externo. En el caso de que haya optado por la conexión digital óptica, la Bowers & Wilkins Music App le mostrará cómo conectar el Panorama 3 al televisor y cómo desactivar los altavoces internos de este último. A continuación se le preguntará si desea que el Panorama 3 memorice las órdenes de control por infrarrojos del mando a distancia de su televisor para permitirle gobernar el Panorama 3 con dicho mando.

*Nota: Si durante el proceso de configuración el Panorama 3 no recibe órdenes de control por infrarrojos, es posible que necesite un dispositivo de infrarrojos externo en su televisor. Para más información le rogamos que consulte el manual de instrucciones de su televisor.*

## 6. Configuración Bluetooth Independiente

Es posible utilizar su Panorama 3 con Bluetooth sin necesidad de conectarlo a una red. Con su Panorama 3 situado en el modo de configuración y estando el botón Multifunción pulsando lentamente en ámbra, pulse y mantenga pulsado dicho botón durante 5 segundos. El Panorama 3 emitirá un aviso audible y el botón Multifunción parpadeará en azul. Esto indica que el Panorama 3 está en el modo de sincronización Bluetooth y que puede ser conectado a sus dispositivos fuente mediante el menú Bluetooth. El Panorama 3 estará disponible en el menú Bluetooth con el nombre "Panorama 3".

*Nota: En esta configuración, el producto ya no puede ser configurado en una red. Para conectar el Panorama 3 a una red estando en el modo Bluetooth Independiente necesitará llevar a cabo una reinicialización del aparato a los ajustes de fábrica mediante el botón de Reinicialización (Reset) situado en el panel posterior del mismo (ver sección 4).*

El Panorama 3 puede ser sincronizado con múltiples dispositivos pulsando y manteniendo pulsado el botón Multifunción durante 5 segundos para entrar en el modo de sincronización. El Panorama 3 puede sincronizarse con un máximo de ocho dispositivos.

*Nota: El Panorama 3 permanecerá en el modo de sincronización durante 2 minutos y se apagará si en el transcurso de dicho intervalo de tiempo no se sincroniza ningún dispositivo. Para volver a entrar en el*

*modo de sincronización, pulse y mantenga pulsado el botón Multifunción.*

## 7. Utilizando su Panorama 3

### 7.1 Espacios

Los Espacios son un concepto clave de la Bowers & Wilkins Music App y productos compatibles. Un "Espacio" es una estancia o área específica de su casa en la que usted escucha música. No es posible utilizar el Panorama 3 con cualquier otro dispositivo en el mismo espacio.

### 7.2 Compatibilidad Dolby

El Panorama 3 soportará señales de audio Dolby Digital en los siguientes formatos:

- Dolby Digital
- Dolby Digital Plus™
- Dolby Atmos
- Dolby TrueHD

Para todos estos formatos, el Panorama 3 optimizará la reproducción automáticamente y proporcionará las mejores prestaciones sonoras posibles.

### 7.3 Streaming de Música

Si lo desea, usted puede utilizar su Panorama 3 para reproducir señales de audio procedentes de servicios de streaming como Spotify, Apple Music, Qobuz y Tidal. Dichas señales pueden obtenerse directamente desde la Bowers & Wilkins Music App, Spotify Connect®, AirPlay® 2 o Bluetooth.

### 7.4 Reproducción de Música a través de la Bowers & Wilkins Music App

Una vez que usted ha conectado su producto y activado un servicio de streaming de música desde la app, puede acceder a su música favorita desde dicho servicio. Una vez seleccionado el tema que desea escuchar, basta con que haga clic en el botón "Play". Si usted dispone únicamente de un Espacio, la música se reproducirá automáticamente en dicho Espacio. Si dispone de múltiples Espacios, haciendo clic en "Play" se mostrará una lista una lista de Espacios disponibles en su casa, a la vez que seleccionando uno de dichos Espacios se reproducirá música en el mismo.

### 7.5 Reproducción de Música vía Spotify Connect

Utilice su teléfono, tableta u ordenador como un mando a distancia para Spotify. Para saber cómo, dirjase a <https://www.spotify.com/connect>.

### 7.6 Reproducción de Música vía AirPlay

AirPlay permite a dispositivos móviles, ordenadores portátiles su ordenadores de sobremesa de Apple enviar música a través de una red a cualquier producto compatible AirPlay, como por ejemplo el Panorama 3. Los dispositivos compatibles AirPlay mostrarán el icono AirPlay.

Para utilizar AirPlay, abra la app que desee utilizar y seleccione el contenido que quiera reproducir. Toque el icono AirPlay para visualizar una lista de dispositivos disponibles seguida del nombre del Espacio que desee utilizar.

## 7.7 Reproducción de Música vía Bluetooth

Bluetooth permite a dispositivos móviles, ordenadores portátiles su ordenadores de sobremesa enviar contenidos de audio a su Panorama 3 a través de una conexión inalámbrica.

Para usar Bluetooth, en primer lugar necesitará sincronizar su dispositivo al Panorama 3. Estando en la Bowers & Wilkins Music App, seleccione Ajustes y a continuación seleccione el Espacio que alberga el dispositivo que desea sincronizar. Seleccionando "Sincronizar nuevo dispositivo" hará que el Panorama 3 se sitúe en el modo de sincronización Bluetooth. Vaya al menú Bluetooth de su dispositivo y podrá sincronizarlo con el Panorama 3. El Panorama 3 utilizará el nombre de Espacio que aparezca en el menú de sincronización Bluetooth. Una vez sincronizado, usted podrá reproducir música mediante cualquier app de su dispositivo fuente. Podrá ver una lista de los dispositivos sincronizados a su Panorama 3 en la Bowers & Wilkins Music App.

*Nota: El Panorama 3 permanecerá en el modo de sincronización durante 2 minutos y se apagará si en el transcurso de dicho intervalo de tiempo no se sincroniza ningún dispositivo. Para volver a entrar en el modo de sincronización, repita los pasos anteriores.*

## 8. Bowers & Wilkins Music App

La Bowers & Wilkins Music App abre la página principal. En la parte inferior de dicha página hay cuatro iconos de navegación para las secciones principales de la app: Navegar, Biblioteca, Búsqueda y Ajustes. El icono iluminado en amarillo indica la página en la que usted está.

### 8.1 Navegar

La página Navegar –Browse- de la Bowers & Wilkins Music App incluye contenidos dispuestos en múltiples filas de tal modo que usted puede buscar a través de las mismas yendo hacia la derecha o hacia la izquierda. La página Navegar muestra listas de reproducción recomendadas que han sido generadas basándose en sus gustos musicales, la música que usted ha escuchado recientemente y algunas listas de reproducción cuidadosamente seleccionadas por Bowers & Wilkins. Usted también puede desplazarse hacia abajo y navegar a través de contenidos de cualquiera de los servicios de streaming de música que haya vinculado a su app.

*Nota: Las recomendaciones están basadas en los géneros musicales, artistas, álbumes y pistas que le han gustado. Para decir que un contenido determinado le gusta, basta con que haga clic en el símbolo corazón. Cuando más veces realice esta operación, mejores serán las recomendaciones que reciba. Sus recomendaciones permanecerán con usted y su cuenta de Bowers & Wilkins y no estarán vinculadas a su servicio de streaming de música online.*

### 8.2 Biblioteca

La página Biblioteca –Library- agrupa todo el material que a usted le ha gustado en la Bowers & Wilkins Music App o en cualquiera de sus servicios de streaming música favoritos. Usted puede buscar aquí contenidos de música, podcasts y emisoras de radio. Si a usted le han gustado contenidos de la app nativa de un determinado servicio de streaming, es posible que no aparezcan en la Biblioteca de la Bowers & Wilkins Music App de manera inmediata.

### 8.3 Búsqueda

Usted puede buscar cualquier tipo de música mediante la función Búsqueda –Search- de la Bowers & Wilkins Music App. La app buscará resultados en todos los servicios de streaming que usted haya vinculado a la misma,

### 8.4 Ajustes

Las páginas de Ajustes –Settings- le permiten configurar múltiples productos en toda su casa. La página Ajustes está dividida en diferentes secciones:

- **Sus Espacios**  
Esta sección enumera todos los Espacios de su casa y desde la misma usted puede configurar dispositivos individuales.
- **Su Cuenta**  
Esta sección le permite modificar los detalles de su cuenta y enlazar cualquier servicio de música a su app.
- **Sus Productos**  
Aquí es donde usted puede activar cualquier actualización disponible para cualquiera de los productos que tenga instalados en su casa.

### 8.5 Enlazando Servicios de Streaming

La Bowers & Wilkins Music App le permite seleccionar y reproducir música desde varios servicios de streaming, entre ellos Qobuz, Tidal, Deezer y muchos más. Para hacer esto, la Bowers & Wilkins Music App necesita estar vinculada a dichos servicios. Esto puede hacerse en la página Ajustes vía botón 'Vincular Servicios' en 'Su Cuenta'. Basta con que toque la pantalla y siga las instrucciones que aparezcan en la misma.

### 8.6 Vista del Reproductor

Cuando se está reproduciendo música en el Panorama 3, usted puede controlar el nivel de volumen, activar/pausar la reproducción, saltar hacia delante y saltar hacia atrás. La Vista del Reproductor –Player View- puede minimizarse tocando la flecha hacia abajo que figura en la esquina superior izquierda de la pantalla. La Vista del Reproductor puede maximizarse tocando en cualquier momento la versión minimizada de la misma.

### 9. Actualización del Software

El Panorama 3 es un componente conectado a redes y, como tal, recibirá vía actualizaciones de software mejoras relacionadas con la fiabilidad, nuevas funciones y nuevas características. Cuando esté disponible una mejora de software para cualquier producto de su red, se marcará una etiqueta en el icono Ajustes. Yendo a la página Ajustes se mostrará la actualización disponible. Tocando dicho icono se activará la pertinente actualización para todos los productos que la requieran.

### 10. Ajustes de Audio

La ubicación de una caja acústica puede tener un impacto importante en el sonido. Colocar una caja acústica cerca de una pared puede realzar los graves, y si dicha caja acústica no está encarada hacia usted es posible que los agudos se atenúen. Además, es posible ajustar los graves y los agudos de su Panorama 3 para permitir una mayor flexibilidad a la hora de instalarlo en su sala. Para acceder a estos ajustes, seleccione Ajustes y a continuación el nombre del Espacio que contiene el producto que desea ajustar y seguidamente seleccione el dispositivo. Llegado a este punto, usted puede ajustar el nivel de graves y agudos desde -6 dB hasta +6 dB. Los ajustes realizados serán guardados por el Panorama 3 cuando lo desconecte de la red eléctrica pero se borrarán después de una reinicialización a los ajustes de fábrica.

### 11. Amazon Alexa

El Panorama 3 es un producto inteligente que incorpora el control por voz Amazon Alexa. Para activar esta funcionalidad, diríjase a la página de ajustes de dispositivos de la Bowers & Wilkins Music App. Seleccione Ajustes y a continuación elija el Espacio que albergue el Panorama 3 que desee controlar con su voz.

Seguidamente, seleccione el dispositivo. A continuación se mostrará la página de ajustes de dispositivos. Usted puede activar aquí Amazon Alexa vinculándolo a su cuenta de Amazon: basta con haga clic en el enlace y siga las instrucciones. Asimismo, usted puede desvincular su Panorama 3 de su cuenta de Amazon en cualquier momento.

Para hablar a Alexa, basta con que pronuncie la palabra de activación, "Alexa", o pulse el botón Asistente de Voz –"Voice Assistant"- del Panorama 3. Pulsando y manteniendo pulsado el botón Asistente de Voz se silenciarán los micrófonos Alexa.

### 12. Controles del Panorama 3

Su Panorama 3 incluye botones en la zona superior de su panel trasero para controlar la reproducción/pausa, ajustar el nivel de volumen y activar el asistente de voz – ver Diagrama 1.

La pulsación de reproducción/pausa permitirá detener y reiniciar la reproducción sonora.

La pulsación de Volume Up (+) o Volume Down (-) ajustará el nivel de volumen de cualquier señal que esté siendo reproducida. La pulsación de los botones + y - permitirá, respectivamente, incrementar o reducir el nivel de volumen de manera continuada.

Tocando el botón Multifunción se conmutará cíclicamente y se reproducirán con el Panorama 3 todos los flujos de señal y fuentes disponibles. La iluminación del botón Multifunción cambia para indicar los diferentes estados operativos. Dichas iluminaciones se muestran en el Diagrama 2.

La pulsación del botón Asistente de Voz –Voice Assistant- le permite hablar al asistente de voz sin necesidad de pronunciar la palabra de activación. Esta funcionalidad requiere la activación de un servicio de voz en su Panorama 3.

### 13. Limpieza

En el caso de que su Panorama 3 necesitara ser limpiado, puede limpiar su superficie superior con una gamuza libre de hilos y su rejilla protectora con un cepillo blando. Si desea utilizar un fluido de limpieza, aplíquelo sobre la gamuza de limpieza, nunca directamente sobre el Panorama 3. Pruebe en primer lugar con una superficie pequeña, ya que es posible que ciertos productos de limpieza dañen algunas de las superficies. Evite el uso de productos abrasivos o que contengan ácidos, álcalis o agentes antibacterianos.

### 14. Soporte

En caso de que necesite ayuda adicional o algún consejo relacionado con su producto, le rogamos que visite nuestro sitio de Soporte: [www.bowerswilkins.com/support](http://www.bowerswilkins.com/support).

### 15. Información Medioambiental

Este producto gestiona de modo automático su consumo de energía sin necesidad de ninguna interacción. Cuando el aparato está conectado a una red y no está siendo utilizado, el consumo de energía es reducido automáticamente por debajo de 2 vatios.

Este producto satisface varias regulaciones internacionales relacionadas con la protección del medio ambiente, entre ellas –aunque sin estar limitadas a las mismas- la de Restricción del Uso de Sustancias Peligrosas (RoHS) en equipos eléctricos y electrónicos, la de Registro, Evaluación y Autorización del uso de Productos Químicos (REACH) y la de eliminación de Residuos Procedentes de Equipos Eléctricos y Electrónicos (WEEE). Para reciclar o desechar este producto adecuadamente, le sugerimos que contacte con sus autoridades locales en materia de gestión de residuos.

Iluminación		Estado Operativo
Blanco intermitente		Arranque en curso
Ámbar pulsante		Preparado para configuración
Ámbar intermitente		Actualización de firmware en curso
Blanco pulsante		Activación de audio en curso
Rojo pulsante		Error – contactar Soporte
Rojo estacionario		Error – contactar Soporte
Rojo intermitente		Reinicialización a los ajustes de fábrica en curso
Azul intermitente		Modo de sincronización Bluetooth
Azul estacionario		Conexión Bluetooth establecida

Diagrama 2  
Iluminaciones del indicador Multifunción

## Características Técnicas

Detalles Técnicos Relevantes	Compatible con la Bowers & Wilkins Music App Apple AirPlay 2 Spotify Connect Bluetooth Compatible Alexa Dolby TrueHD Dolby Atmos con 3.1.2 Canales Discretos HDMI eARC
Audio Format Support	Dolby Atmos Dolby Digital True HD Dolby Digital Plus LPCM
Bluetooth	5.0, Clase 2
Codecs Bluetooth	aptX Adaptive AAC SBC
Compatibilidad AirPlay 2	iPhone, iPad, e iPod touch con iOS 11.4 o posterior, Apple TV 4K o Apple TV (4ª Generación) con tvOS 11.4 o posterior, Mac o PC con iTunes 12.8 o posterior
Potencia del Amplificador Interno	400 W
Transductores Utilizados	3 tweeters de cúpula de titanio de 19 mm 6 altavoces de medios/graves con cono de fibras de vidrio entrelazadas de 50 mm 2 altavoces con cono de fibras de vidrio entrelazadas de 50 mm para Dolby Atmos 2 woofers ultradelgados de 100 mm
Respuesta en Frecuencia	43-48.000 Hz
Dimensiones	1.210x65x140 mm (An x Al x P)
Peso	6'5 kg
Conexiones	1 HDMI ARC/eARC 1 Entrada de Audio Digital Óptica (TosLink) 1 Toma Ethernet con Conector RJ45 1 Toma USB-C (sólo para mantenimiento)
Tensión de Alimentación	100 V-240 V a 50/60 Hz
Consumo	Inferior a 2 W

Los términos and HDMI High-Definition Multimedia Interface, así como el logotipo HDMI, son marcas comerciales o marcas comerciales registradas de HDMI Licensing Administrator, Inc. en EE.UU. y otros países. Dolby, Dolby Atmos y Dolby Digital Plus son marcas comerciales registradas de Dolby Laboratories. Apple, AirPlay, Apple Music, iOS, iPhone, iPad, iPod touch, iTunes, Apple TV, Mac, macOS, OS X y tvOS son marcas comerciales registradas de Apple Inc., en EE.UU. y otros países. La marca comercial "iPhone" es utilizada en Japón con una licencia de Aiphone KK. Spotify y Spotify Connect son marcas comerciales de Spotify AB. La disponibilidad de Spotify Connect puede depender de su zona de residencia, por lo que le rogamos que visite [www.spotify.com](http://www.spotify.com) para más detalles. Amazon, Alexa y los correspondientes logotipos son marcas comerciales de Amazon.com, Inc. o sus afiliadas. Android es una marca comercial de Google LLC. aptX es un producto de Qualcomm Technologies, Inc. y/o sus subsidiarias. aptX es una marca comercial de Qualcomm Technologies International, Ltd. registrada en EE.UU. y otros países. La palabra y el logotipo Bluetooth son marcas registradas propiedad de Bluetooth SIG, Inc. y el uso de ambos por Bowers & Wilkins es bajo licencia. Otras marcas registradas y nombres corresponden a sus respectivos propietarios.

## Bem-vindo à Bowers & Wilkins e à Panorama 3

Quando John Bowers fundou a Bowers & Wilkins, ele acreditava que um design criativo, uma engenharia inovadora e uma tecnologia avançada eram as chaves que poderiam abrir as portas para se desfrutar do áudio em casa. Essa crença continua a inspirar-nos em cada produto que desenvolvemos.

A Panorama 3 é uma coluna ativa sem fios ligada à rede que proporciona um elevadíssimo desempenho. A Panorama 3 foi concebida para ser configurada e controlada principalmente através da aplicação Bowers & Wilkins Music. A aplicação está disponível para dispositivos iOS e Android™. Algumas funções de controlo mais comuns estão também disponíveis através dos botões ocultos até se iluminarem no painel superior da Panorama 3. Apenas é possível instalar e configurar a Panorama 3 utilizando a aplicação Bowers & Wilkins Music.

A Panorama 3 permite-lhe:

- Ouvir áudio de TVs através de uma ligação HDMI® ARC/eARC.
- Ouvir áudio de TVs através de uma ligação áudio digital ótica.
- Ouvir áudio de serviços de transmissão tais como Tidal, Qobuz, Deezer, Spotify®, Apple Music e muitos outros.
- Ouvir áudio através de Bluetooth® a partir de dispositivos devidamente compatíveis com a tecnologia.
- Ouvir áudio em reprodução em qualquer ponto da casa em qualquer coluna sem fios Bowers & Wilkins compatível que esteja ligada à sua rede doméstica.\*

A aplicação Bowers & Wilkins Music é necessária para ligar a Panorama 3 à sua rede doméstica e estabelecer ligação com outros produtos na sua casa. A aplicação Bowers & Wilkins Music também disponibiliza algumas funções de controlo e configuração durante a utilização. Antes de começar a instalar a sua Panorama 3, transfira e instale a aplicação Bowers & Wilkins Music no seu dispositivo iOS ou Android. A aplicação Bowers & Wilkins Music requer a versão 11.4 ou mais recente do iOS ou a versão 8.1 ou mais recente do Android. Os serviços de Bluetooth e Wi-Fi têm de estar ativados no seu dispositivo iOS ou Android. Necessitará também da palavra-passe da sua rede Wi-Fi.

*Nota: Os Serviços de Localização têm de estar ativados nos dispositivos Android durante o processo de configuração. Isto deve-se ao facto de os produtos Bowers & Wilkins compatíveis utilizarem um modelo de Bluetooth de baixo consumo de energia (BT-LE) para comunicação de serviços, o que, nos dispositivos Android, apenas se encontra ativo quando os Serviços de Localização são permitidos. A Bowers & Wilkins não utiliza quaisquer dados de serviços de localização para fins de marketing.*

\*Funcionalidade a ser ativada em 2022

## 1. Conteúdo da caixa

Panorama 3  
Cabo de alimentação  
Cabo HDMI  
Suporte de parede  
Documentação

## 2. Instalar a sua Panorama 3

A sua Panorama 3 foi concebida para trabalhar com a sua TV e, por isso, terá de estar junto à mesma. Quando ligada à TV, a Panorama 3 requer uma ligação HDMI e uma ligação a uma fonte de alimentação para funcionar, pelo que deve estar localizada ao alcance de uma tomada elétrica e de uma ligação HDMI. Se vai utilizar a sua Panorama 3 através de uma ligação com fios à sua rede doméstica, esta necessitará de estar colocada ao alcance de um cabo de rede (Ethernet) adequado.

A sua Panorama 3 pode ser colocada numa prateleira, mesa ou móvel ou pode ser montada numa parede com recurso ao suporte de parede próprio que é incluído com a Panorama 3. Caso pretenda colocar a sua Panorama 3 numa prateleira, certifique-se de que a mesma é capaz de suportar facilmente o respetivo peso. O desempenho de áudio pode ser afetado se os móveis ou prateleiras forem frágeis ou ressonantes.

*Nota: Se pretender colocar a sua Panorama 3 num suporte de parede, certifique-se de que a instala de acordo com as instruções incluídas. Se não tiver a certeza sobre a adequabilidade da parede, ou se achar que não consegue instalar o suporte de parede, deve procurar assistência especializada.*

Tal como a grande maioria das colunas, a sua Panorama 3 irradia energia sonora não só para a frente, mas também para as partes superior, lateral e traseira. Consequentemente, se a sua Panorama 3 estiver posicionada perto dos limites da divisão, ou especialmente num canto, os sons graves podem ser demasiado enfatizados. Se achar que os sons graves da sua Panorama 3 estão exagerados, movê-la para uma posição alternativa pode ser benéfico, sendo que também pode diminuir o nível dos graves através do menu de definições da aplicação Bowers & Wilkins Music.

### 2.1 Ligações

Para além de uma tomada elétrica, a sua coluna Panorama 3 também tem uma ligação HDMI ARC/eARC, uma ligação áudio ótica e uma ligação USB-C para intervenções técnicas. É possível ligar a Panorama 3 a uma ligação (Ethernet) com fios utilizando a porta Ethernet.

A ligação principal recomendada a uma TV é a ligação HDMI e recomendamos que ligue a Panorama 3 à tomada ARC da TV. Caso a sua TV não tenha uma ligação HDMI com ARC ou eARC, pode ligar a Panorama 3 à TV com a ligação de áudio digital ótica.

*Nota: Para obter a melhor funcionalidade e desempenho da sua Panorama 3 com a sua TV, recomendamos que ative as funcionalidades ARC (e eARC, se disponível na sua TV) e CEC. Cada marca de TV terá uma forma diferente de ativar estas funcionalidades e, por isso, recomendamos que consulte o manual da sua TV para obter mais informações. Também recomendamos que configure a TV para o modo de pass-through ou de bypass para desfrutar do melhor desempenho de áudio de conteúdo Dolby® Atmos® de outros dispositivos ligados à sua TV.*

### 2.2 Ligação inicial

Depois de realizadas todas as ligações, de a aplicação Bowers & Wilkins Music estar instalada no seu dispositivo móvel e de a sua TV estar configurada para trabalhar com o método de ligação selecionado, a sua Panorama 3 está pronta a ser configurada.

A sua Panorama 3 não tem botão de alimentação e, assim que estiver ligada à fonte de alimentação, executará uma breve rotina de inicialização antes de estar pronta para ser utilizada. A rotina de inicialização inclui o arranque da coluna, a ligação à rede e o estabelecimento de uma ligação a quaisquer serviços de transmissão, pelo que pode demorar algum tempo. Nesse período, o botão multifunções estará a piscar a branco durante o arranque e a âmbar durante o estabelecimento de uma ligação de rede. Assim que a rotina de inicialização estiver concluída, será emitido um sinal sonoro.

Quando uma Panorama 3 que não tenha sido utilizada anteriormente é ligada pela primeira vez, entrará automaticamente no modo de configuração para permitir a ligação à sua rede doméstica. O modo de configuração é indicado através de uma luz âmbar que pulsa de forma lenta no botão multifunções (consultar Imagem 1). A Panorama 3 também aparecerá na aplicação Bowers & Wilkins Music como disponível para configurar, quer como pop-up ou após selecionar "Add product" (Adicionar produto) na página de definições da aplicação.

A sua Panorama 3 gere o respetivo estado de funcionamento e consumo de energia de forma completamente automática e entrará no modo de poupança de energia após vinte minutos de inatividade. Não existe a necessidade de desligar a Panorama 3. No entanto, caso o pretenda fazer, basta desligá-la da fonte de alimentação. A Panorama 3 guardará as respetivas definições mesmo sem estar ligada à rede elétrica.

### 3. Reiniciar

Pode reiniciar uma coluna Panorama 3 premindo brevemente e soltando o botão de reposição situado no painel traseiro (consultar Imagem 1). Premir o botão reiniciará novamente a Panorama 3. Todas as definições serão mantidas quando a Panorama 3 reiniciar. Também pode reiniciar a Panorama 3 através da página de definições da aplicação Bowers & Wilkins Music.

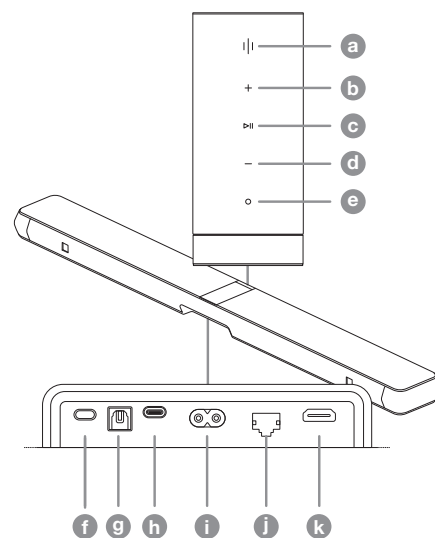


Imagem 1

Painel de controlo e conectores da Panorama 3

### 4. Reposição para os valores de fábrica

Caso pretenda repor as definições de origem de fábrica da Panorama 3, mantenha o botão de reinício premido durante cinco segundos. A localização do botão de reinício pode ser vista na Imagem 1. O processo de reinício será indicado por um botão multifunções vermelho e um sinal de áudio; este processo desligará a Panorama 3. Ao reiniciar, a Panorama 3 entrará no modo de configuração. Todas as definições serão eliminadas quando a Panorama 3 for reposta. Também pode repor as definições da Panorama 3 através do menu de definições da aplicação Bowers & Wilkins Music.

### 5. Configuração numa rede

Com a sua Panorama 3 no modo de configuração e com o botão multifunções a pulsar lentamente a âmbar, abra a aplicação Bowers & Wilkins Music no seu dispositivo iOS ou Android. A aplicação irá orientá-lo ao longo do processo de configuração.

*Nota: A Panorama 3 estabelece uma ligação Bluetooth ao dispositivo que executa a aplicação Bowers & Wilkins Music durante o processo de configuração. Os sinais Bluetooth têm um alcance relativamente curto e podem ser interrompidos pelos limites das divisões. Por isso, recomendamos que mantenha o seu dispositivo com a aplicação Bowers & Wilkins Music e a Panorama 3 perto do produto durante o processo de configuração.*

A aplicação Bowers & Wilkins Music precisa de criar uma conta de utilizador. Quando transfere a aplicação pela primeira vez, é-lhe pedido que inicie sessão na sua conta, se já tiver uma, ou que crie uma conta nova. Terá de introduzir um nome de utilizador e uma palavra-passe. Também pode modificar as notificações para a sua conta antes da configuração. Depois de ter criado uma conta, terá de validar o endereço de e-mail clicando na ligação que lhe for enviada para o seu endereço de e-mail.

A aplicação Bowers & Wilkins Music começará por procurar produtos no modo de configuração e, em seguida, pedir-lhe-á automaticamente para iniciar o processo de configuração. Em alternativa, pode configurar um novo produto no menu de definições selecionando "Add product" (Adicionar produto) na secção "Your devices" (Os seus dispositivos).

#### Botões / Conectores

- a Multifunções
- b Aumentar volume
- c Reproduzir/Pausa
- d Reduzir volume
- e Assistente de voz
- f Repor
- g Entrada digital
- h Manutenção
- i Alimentação
- j Ethernet
- k HDMI (ARC/eARC)

O processo de configuração na aplicação Bowers & Wilkins Music solicitar-lhe-á que adicione um nome ao "espaço" onde a Panorama 3 vai ser utilizada. Será apresentada uma lista de nomes sugeridos, mas também poderá criar o seu próprio nome. Após ter selecionado ou criado um nome para o espaço, a aplicação solicitará que prima o botão multifunções na parte superior da Panorama 3 para confirmar a seleção.

Se pretender utilizar uma ligação de rede sem fios com a Panorama 3, a próxima etapa de configuração irá ligar a sua Panorama 3 à sua rede Wi-Fi doméstica. A aplicação solicitará que confirme a rede Wi-Fi correta e que insira a sua palavra-passe. Em alternativa, caso a Panorama 3 esteja ligada ao seu router de rede através de um cabo Ethernet, esta etapa do processo de configuração será ignorada.

*Nota: Se já tiver outros produtos Bowers & Wilkins compatíveis ligados à sua rede Wi-Fi, a Panorama 3 não lhe solicitará que introduza a palavra-passe do Wi-Fi porque esta será partilhada de forma segura através da função Quick Connect.*

Assim que a configuração de rede Wi-Fi e a seleção de espaço estiverem concluídas, terá de configurar a entrada que selecionou para a ligação à TV. A aplicação vai orientá-lo durante a configuração da sua TV. Caso tenha ligado a TV com HDMI ARC/eARC, a aplicação Bowers & Wilkins Music indica de que forma pode ligar a Panorama 3 à TV e ativar CEC. Isto permite-lhe controlar o áudio na Panorama 3 com o comando da sua TV ou box. Caso tenha ligado a TV com o conetor ótico, a aplicação Bowers & Wilkins Music indica de que forma pode ligar a Panorama 3 à TV e desativar as colunas internas da TV. Em seguida, terá de indicar se pretende que a Panorama 3 memorize os comandos IR do comando da TV, o que lhe permitirá controlar a Panorama 3 com este comando.

*Nota: Caso a Panorama 3 não receba comandos IR durante o processo de configuração, pode ter de ativar o suporte para IR em dispositivos externos na sua TV. Consulte o manual da sua TV para obter mais informações.*

## 6. Configuração separada de Bluetooth

É possível utilizar a Panorama 3 através de Bluetooth sem ter de ligar o produto a uma rede. Com a Panorama 3 no modo de configuração, indicado pelo botão multifunções a pulsar lentamente a âmbar, mantenha o botão multifunções premido durante 5 segundos. A Panorama 3 reproduzirá um sinal sonoro e o botão multifunções piscará a azul. Isto indica que a Panorama 3 está no modo de emparelhamento Bluetooth e pode ser ligada através do menu de Bluetooth do seu dispositivo. A Panorama 3 estará disponível no menu de Bluetooth com o nome "Panorama 3".

*Nota: Nesta configuração, o produto já não pode ser configurado para uma rede. Para ligar a Panorama 3 a uma rede quando está no modo Bluetooth separado, terá de realizar uma reposição para os valores de fábrica do produto através do botão de reinício na parte traseira do produto (consultar secção 4).*

A Panorama 3 pode ser emparelhada com vários dispositivos premindo o botão multifunções e mantendo-o premido durante 5 segundos para entrar no modo de emparelhamento. A Panorama 3 pode suportar o emparelhamento com até oito dispositivos.

*Nota: A Panorama 3 permanecerá no modo de emparelhamento durante 2 minutos e excederá o tempo limite se nenhum dispositivo for emparelhado*

*durante esse período. Para entrar novamente no modo de emparelhamento, prima e mantenha premido o botão multifunções.*

## 7. Utilizar a sua Panorama 3

### 7.1 Espaços

Os espaços são um conceito nuclear da aplicação Bowers & Wilkins Music e produtos compatíveis. Um "Espaço" é uma divisão ou uma área específica da sua casa onde costuma ouvir música. Não é possível utilizar a Panorama 3 com qualquer outro dispositivo no mesmo espaço.

### 7.2 Dolby Support

A Panorama 3 suporta áudio Dolby Digital nos seguintes formatos:

- Dolby Digital
- Dolby Digital Plus™
- Dolby Atmos
- Dolby TrueHD

Para todos estes formatos de áudio, a Panorama 3 irá otimizar automaticamente a reprodução e fornecer o melhor desempenho de áudio possível.

### 7.3 Transmitir música

Pode utilizar a Panorama 3 para reproduzir áudio de serviços de transmissão tais como Spotify, Apple Music, Qobuz e Tidal. Podem ser transmitidos diretamente da aplicação Bowers & Wilkins Music, do Spotify Connect®, AirPlay 2® ou Bluetooth.

### 7.4 Reproduzir áudio através da aplicação Bowers & Wilkins Music

Depois de ter ligado o seu produto e ativado um serviço de transmissão de música na aplicação Bowers & Wilkins Music, pode procurar música no seu serviço de transmissão. Depois de ter selecionado a faixa que quer reproduzir, basta clicar no botão de reprodução. Se só tiver um espaço, a música é reproduzida automaticamente nesse espaço. Se tiver vários espaços, clicar no botão de reprodução apresenta uma lista dos espaços disponíveis em sua casa e selecionar um espaço reproduz o áudio no espaço selecionado.

### 7.5 Reproduzir áudio através do Spotify Connect

Utilize o seu telemóvel, tablet ou computador como controlo remoto para o Spotify. Aceda a <https://www.spotify.com/connect> para saber como.

### 7.6 Reproduzir áudio através do AirPlay

O AirPlay permite que aplicações em dispositivos móveis, portáteis ou computadores Apple transmitam áudio através de uma rede para colunas compatíveis com AirPlay, como a Panorama 3. As aplicações compatíveis com AirPlay apresentarão o ícone do AirPlay.

Para utilizar o AirPlay, abra a aplicação que pretende utilizar e seleccione os conteúdos que pretende reproduzir. Toque no ícone do AirPlay para apresentar uma lista de dispositivos disponíveis seguida do nome do espaço que pretende utilizar.

## 7.7 Reproduzir áudio através de Bluetooth

O Bluetooth permite que aplicações de áudio em dispositivos móveis, portáteis ou computadores transmitam material através de uma ligação sem fios para a sua Panorama 3.

Para utilizar o Bluetooth, primeiro tem de emparelhar o seu dispositivo com a Panorama 3. Na aplicação Bowers & Wilkins Music, seleccione as definições e depois seleccione o espaço que contém o dispositivo com que quer emparelhar. Ao seleccionar "Pair new device" (Emparelhar um novo dispositivo), colocará a Panorama 3 no modo de emparelhamento Bluetooth. Aceda ao menu de Bluetooth do seu dispositivo e emparelhe-o com a Panorama 3. A Panorama 3 utilizará o nome do espaço no menu de emparelhamento Bluetooth. Depois de emparelhar, pode reproduzir áudio através de qualquer aplicação no seu dispositivo de origem. Pode ver uma lista dos dispositivos emparelhados na sua Panorama 3 na aplicação Bowers & Wilkins Music.

*Nota: A Panorama 3 permanecerá no modo de emparelhamento durante 2 minutos e excederá o tempo limite se nenhum dispositivo for emparelhado durante esse período. Para entrar novamente no modo de emparelhamento, repita os passos acima.*

## 8. Aplicação Bowers & Wilkins Music

A aplicação Bowers & Wilkins Music abre na página principal. No fundo da página há quatro ícones de navegação para as principais secções da aplicação: procurar, biblioteca, pesquisar e definições. O ícone aceso a amarelo indica a página em que está.

### 8.1 Procurar

A página Procurar da aplicação Bowers & Wilkins Music tem os conteúdos organizados por várias filas numa vista de faixa que pode pesquisar deslizando para a direita e para a esquerda. A página Procurar apresenta listas de reprodução recomendadas que são geradas com base nos seus gostos musicais, na música que reproduziu recentemente e em algumas listas de reprodução recomendadas supervisionadas pela Bowers & Wilkins. Também pode percorrer para baixo e procurar música de qualquer serviço de transmissão específico que tenha ligado à sua aplicação.

*Nota: As recomendações são baseadas nos géneros, artistas, álbuns e faixas de que gostou. Para gostar de qualquer material, basta clicar no símbolo de coração. Quanto mais gostar, melhores serão as recomendações. As suas recomendações ficarão consigo e com a sua conta da Bowers & Wilkins e não estão ligadas ao seu serviço de transmissão de música.*

### 8.2 Biblioteca

A página da biblioteca reúne todo o material de que gostou na aplicação Bowers & Wilkins Music ou em qualquer um dos seus serviços de transmissão. Aqui pode pesquisar conteúdos por música, podcasts e rádio. Se tiver gostado de material na aplicação nativa de um serviço de transmissão, poderá não aparecer logo na biblioteca da aplicação Bowers & Wilkins Music.

### 8.3 Pesquisar

Pode pesquisar qualquer música através da função de pesquisa na aplicação Bowers & Wilkins Music. A aplicação pesquisar resultados de todos os seus serviços de transmissão ligados.



## 8.4 Definições

A página de definições permite-lhe configurar vários produtos em sua casa. A página de definições está dividida em diferentes secções:

- **Os seus espaços**  
Esta secção indica todos os espaços em sua casa e, a partir daqui, pode configurar dispositivos individuais.
- **A sua conta**  
Esta secção permite-lhe modificar os seus dados de conta e também ligar quaisquer serviços de música à sua aplicação.
- **Os seus produtos**  
Aqui pode ativar quaisquer atualizações que estejam disponíveis para qualquer um dos produtos em sua casa.

## 8.5 Ligar serviços de transmissão

A aplicação Bowers & Wilkins Music permite-lhe selecionar e reproduzir música de vários serviços de transmissão, tais como Qobuz, Tidal, Deezer e muitos mais. Para o fazer, a aplicação Bowers & Wilkins Music tem de estar ligada ao seu serviço de transmissão de música. Isto pode ser feito nas definições através do botão "Link Services" (Ligar serviços) em "Your Account" (A sua conta). Basta tocar e seguir as instruções no ecrã.

## 8.6 Vista de leitor

Quando estiver a ser reproduzido áudio na Panorama 3, pode controlar o volume, reproduzir/colocar o áudio em pausa, avançar e retroceder. A vista de leitor pode ser minimizada com a seta descendente na parte superior esquerda do ecrã. Isto minimiza a vista de leitor para o botão do ecrã principal. Pode ser maximizada tocando na vista de leitor minimizada em qualquer altura.

## 9. Atualização de software

A Panorama 3 é uma coluna ligada à rede e, por isso, é possível ativar melhorias de fiabilidade, novas funções e funcionalidades através de atualizações de software. Quando houver uma atualização de software disponível para qualquer produto na sua rede, é assinalado um marcador no ícone de definições. Ao aceder à página de definições, é possível ver a atualização disponível. Ao tocar nela, ativará uma atualização para todos os produtos na rede que precisam de ser atualizados.

## 10. Ajustes de áudio

A colocação de qualquer coluna pode ter impacto sobre o áudio. Colocar uma coluna perto de uma parede pode contribuir para uma ênfase excessiva dos sons graves e, se a coluna não estiver virada para si, os conteúdos de frequência elevada podem ser reduzidos. Por isso, é possível ajustar as definições dos graves e dos agudos da sua Panorama 3 para permitir uma maior flexibilidade no posicionamento na sua divisão. Para aceder a estas definições, seleccione o ícone de definições e depois o nome do espaço que contém o produto que pretende ajustar; em seguida, seleccione o dispositivo. Pode então ajustar os graves e os agudos de -6 dB a +6 dB. As definições serão guardadas pela Panorama 3 quando a fonte de alimentação estiver desligada, mas serão repostas depois de uma reposição para os valores de fábrica.

## 11. Amazon Alexa

A Panorama 3 é uma coluna inteligente com a assistente de voz Amazon Alexa integrada. Para ativar esta funcionalidade, aceda à página de definições ao nível do dispositivo na aplicação Bowers & Wilkins Music. Seleccione o ícone de definições e depois escolha o espaço que contém a Panorama 3 em que pretende ativar a assistente de voz. A seguir, seleccione o dispositivo. A página de definições do dispositivo será apresentada. Pode ativar a Amazon Alexa aqui associando a sua conta Amazon: basta clicar na ligação e seguir as instruções. Pode desligar a Panorama 3 da sua conta Alexa em qualquer altura.

Para falar com a Alexa, basta dizer a palavra de ativação "Alexa" ou premir o botão de assistente de voz na Panorama 3. Manter premido o botão de assistente de voz desativa os microfones da Alexa.

## 12. Controlos da Panorama 3

A sua Panorama 3 tem botões na parte superior do painel traseiro que permitem o controlo de funções como reproduzir/colocar em pausa, ajustar o volume e assistente de voz – consultar Imagem 1.

Premir o botão Reproduzir/Pausa permite parar e reiniciar a reprodução de áudio alternadamente.

Premir a opção para aumentar o volume (+) ou reduzir o volume (-) ajusta o volume de qualquer áudio que esteja a ser reproduzido. Manter premidos os botões + e - aumenta ou diminui o volume de forma contínua.

Tocar no botão multifunções percorrerá e reproduzirá as transmissões e fontes ativas disponíveis para a Panorama 3. A luz do botão multifunções da Panorama 3 muda para indicar vários estados de funcionamento. As luzes indicadoras encontram-se ilustradas na Imagem 2.

Premir o botão de assistente de voz permite-lhe falar com a assistente de voz sem ter de dizer a palavra de ativação.

Esta funcionalidade implica que esteja ativado um serviço de voz na sua Panorama 3.

## 13. Limpeza

Caso a sua Panorama 3 precise de ser limpa, pode passar pela sua superfície superior um pano limpo e que não largue pelos e escovar a grelha com uma escova macia. Caso pretenda utilizar líquidos de limpeza, aplique-os num pano de limpeza e não diretamente na Panorama 3. Comece por testar numa área pequena, uma vez que alguns produtos de limpeza podem danificar algumas superfícies. Evite utilizar produtos abrasivos ou que contenham agentes ácidos, alcalinos ou antibacterianos.

## 14. Assistência

Caso necessite de ajuda ou aconselhamento adicional em relação ao seu produto, visite o site de assistência: [www.bowerswilkins.com/support](http://www.bowerswilkins.com/support).

## 15. Informação ambiental

Este produto gere automaticamente o seu estado de consumo de energia sem a necessidade de qualquer interação. Quando estiver ligado a uma rede e não estiver a ser utilizado, o consumo de energia é reduzido automaticamente para menos de 2 watts.

Este produto cumpre as diretivas internacionais, incluindo mas não se limitando às seguintes normas: Diretiva relativa à restrição do uso de determinadas substâncias perigosas (RoHS: Restriction of Hazardous Substances) em equipamento elétrico e eletrónico; Regulamento relativo ao registo, avaliação, autorização e restrição de substâncias químicas (REACH: Registration, Evaluation, Authorisation and restriction of Chemicals) e Diretiva relativa aos Resíduos de Equipamentos Elétricos e Eletrónicos (REEE). Consulte uma entidade local de recolha de lixo para obter informação sobre como reciclar ou eliminar este produto de forma correta.

Luz		Estado de funcionamento
A piscar a branco		Inicialização em curso
A pulsar a âmbar		Pronto para configuração
A piscar a âmbar		Atualização de firmware em curso
A pulsar a branco		Transferência de áudio em curso
A pulsar a vermelho		Erro – contactar a assistência
Vermelho fixo		Erro – contactar a assistência
A piscar a vermelho		Reposição para os valores de fábrica em curso
Azul a piscar		Modo de emparelhamento Bluetooth
Azul fixo		Ligação Bluetooth estabelecida

Imagem 2

Luzes indicadoras de multifunções

## Especificações

Características técnicas	Compatível com a aplicação Bowers & Wilkins Music Apple AirPlay 2 Spotify Connect Bluetooth Alexa ativada Dolby TrueHD Discrete Dolby Atmos 3.1.2 HDMI eARC
Suporte para formatos de áudio	Dolby Atmos Dolby Digital True HD Dolby Digital Plus LPCM
Bluetooth	5.0, classe 2
Codecs Bluetooth	aptX™ Adaptive AAC SBC
Compatibilidade AirPlay 2	iPhone, iPad e iPod touch com iOS 11.4 ou posterior, Apple TV 4K ou Apple TV (4.ª geração) com tvOS 11.4 ou posterior, Mac ou PC com iTunes 12.8 ou posterior
Potência de saída do amplificador	400 W
Diafragmas:	3 de 19 mm (0,75") Tweeter de cúpula em titânio 6 de 50 mm (2") Cone de graves/médios em tecido de fibra de vidro 2 de 50 mm (2") Diafragma ATMOS de cone em tecido de fibra de vidro 2 de 100 mm (4") Unidade de graves de baixo perfil
Resposta de frequência	43 Hz – 48 kHz
Dimensões	65 mm (a) x 1210 mm (l) x 140 mm (p)
Peso	6,5 kg
Ligações	1 HDMI ARC/eARC 1 Entrada de áudio digital (Toslink) 1 Ethernet RJ45 1 USB-C (apenas para manutenção)
Voltagem de entrada	100 V–240 V, 50/60 Hz
Consumo de energia em standby	Inferior a 2 watts

Os termos HDMI e HDMI High-Definition Multimedia Interface, bem como o logótipo HDMI são marcas comerciais ou marcas comerciais registadas da HDMI Licensing Administrator, Inc. nos Estados Unidos da América e outros países. Dolby, Dolby Atmos e Dolby Digital Plus são marcas comerciais registadas da Dolby Laboratories. Apple, AirPlay, Apple Music, iOS, iPhone, iPad, iPod touch, iTunes, Apple TV, Mac, macOS, OS X e tvOS são marcas comerciais registadas da Apple Inc., registadas nos Estados Unidos da América e outros países. A marca comercial "iPhone" é utilizada no Japão com uma licença da Aiphone KK. Spotify e Spotify Connect são marcas comerciais da Spotify AB. A disponibilidade do Spotify Connect pode depender da sua região. Aceda a [www.spotify.com](http://www.spotify.com) para obter mais informações. Amazon, Alexa e todos os logótipos relacionados são marcas comerciais da Amazon.com, Inc. ou respetivas afiliadas. Android é uma marca comercial da Google LLC. aptX é um produto da Qualcomm Technologies, Inc. e/ou respetivas subsidiárias. aptX é uma marca comercial da Qualcomm Technologies International, Ltd., registada nos Estados Unidos da América e outros países. A marca e os logótipos Bluetooth são marcas comerciais registadas, propriedade da Bluetooth SIG, Inc., e a utilização dessas marcas pela Bowers & Wilkins é efetuada sob licença. As outras marcas e nomes comerciais pertencem aos respetivos proprietários.

## Benvenuto a Bowers & Wilkins e Panorama 3

Quando John Bowers fondò Bowers & Wilkins era convinto che il design creativo, l'ingegneria innovativa e la tecnologia avanzata fossero le chiavi che potevano sbloccare un'esperienza acustica superiore nelle abitazioni. Questa convinzione continua a ispirare ogni prodotto che progettiamo.

Panorama 3 è un altoparlante wireless attivo, connesso alla rete, dalle alte prestazioni. L'altoparlante Panorama 3 è stato progettato per la configurazione e il controllo tramite l'app Bowers & Wilkins Music. L'app è disponibile sia per dispositivi iOS che Android™. Alcune funzioni di controllo comunemente utilizzate sono disponibili anche tramite i pulsanti sul pannello posteriore di Panorama 3; tali pulsanti non invisibili quando non sono illuminati. È possibile installare e configurare Panorama 3 utilizzando solo l'app Bowers & Wilkins Music.

Panorama 3 consente di:

- Ascoltare l'audio di un televisore tramite un collegamento HDMI® ARC/eARC.
- Ascoltare l'audio di un televisore tramite un collegamento ottico audio digitale.
- Ascoltare servizi di streaming come Tidal, Qobuz, Deezer, Spotify®, Apple Music e molti altri.
- Ascoltare contenuti audio tramite Bluetooth da dispositivi sorgente Bluetooth® opportunamente abilitati.
- Ascoltare contenuti audio ovunque nell'abitazione su qualsiasi diffusore Bowers & Wilkins wireless compatibile connesso alla rete domestica.\*

L'app Bowers & Wilkins Music è necessaria per connettere Panorama 3 alla rete domestica e per stabilire la connessione ad altri prodotti in casa. L'app Bowers & Wilkins Music offre anche alcune funzioni di controllo e configurazione durante l'uso. Prima di avviare l'installazione di Panorama 3, scaricare e installare l'app Bowers & Wilkins Music sul proprio dispositivo iOS o Android. L'app Bowers & Wilkins Music richiede iOS 11.4 o versione successiva, oppure Android V8.1 o versione successiva. I servizi Bluetooth e Wi-Fi devono essere abilitati sul dispositivo iOS o Android. È inoltre necessario conoscere la password della rete Wi-Fi.

*Nota: i servizi di localizzazione devono essere abilitati sui dispositivi Android durante il processo di configurazione. Questo perché i prodotti Bowers & Wilkins compatibili utilizzano un tipo di Bluetooth a bassa potenza (BT-LE) per la comunicazione del servizio che sui dispositivi Android è attivata solo quando i servizi di localizzazione sono abilitati. Bowers & Wilkins non utilizza i dati dei servizi di localizzazione per scopi di marketing.*

\* La funzione sarà abilitata nel 2022

## 1. Contenuto della confezione

Panorama 3  
Cavo di alimentazione  
Cavo HDMI  
Staffa da parete  
Manuale

## 2. Installazione di Panorama 3

L'altoparlante Panorama 3 è stato progettato per essere usato con un televisore e quindi deve essere posizionato vicino ad esso. Quando viene collegato al TV, Panorama 3 richiede sia una connessione HDMI sia l'alimentazione di rete per funzionare, quindi deve essere posizionato vicino a una presa di rete e il TV deve essere dotato di una porta HDMI. Se Panorama 3 verrà utilizzato con una connessione cablata alla rete domestica, dovrà essere posizionato vicino al router per il collegamento tramite un cavo di rete (Ethernet) appropriato oppure tramite un adattatore USB-C - Ethernet.

Panorama 3 può essere posizionato su uno scaffale, un tavolo o un mobile e può anche essere montato a parete utilizzando la staffa dedicata, disponibile come accessorio per l'acquisto online. Se si decide di posizionare Panorama 3 su uno scaffale, assicurarsi che lo scaffale sia in grado di sostenere il suo peso. Le prestazioni audio possono essere ridotte se il mobile o lo scaffale su cui viene posizionato sono fragili o risonanti.

*Nota: se Panorama 3 deve essere montato su una staffa da parete, assicurarsi di installare la staffa conformemente alle istruzioni incluse. Se non si è sicuri dell'idoneità di una parete o della propria capacità di installare la staffa da parete, rivolgersi a uno specialista.*

Come la stragrande maggioranza degli altoparlanti, Panorama 3 irradia energia sonora non solo in avanti, ma anche lateralmente e posteriormente. Di conseguenza, se Panorama 3 viene posizionato troppo vicino alle pareti o in un angolo, i bassi potrebbero diventare troppo prominenti. In questo caso, spostare Panorama 3 in una posizione alternativa e regolare il livello dei bassi tramite il menu delle Impostazioni nell'app Bowers & Wilkins Music.

### 2.1 Collegamenti

Oltre a una presa di corrente, l'altoparlante Panorama 3 è anche dotato di una presa HDMI ARC/eARC, di una connessione audio ottica e di una presa USB-C di servizio. È possibile usare Panorama 3 con una connessione cablata (Ethernet) utilizzando la porta Ethernet.

Il collegamento principale consigliato a un TV è tramite la presa HDMI e raccomandiamo inoltre di collegare Panorama 3 alla presa ARC del TV. Se il televisore non dispone di una presa HDMI abilitata ARC o eARC, è possibile collegare Panorama 3 al TV tramite la presa audio digitale ottica.

*Nota: per un funzionamento e prestazioni ottimali di Panorama 3 con il TV, consigliamo di abilitare ARC (ed eARC se disponibile sul TV) e CEC. Ogni brand di televisore avrà un modo diverso per abilitare queste funzioni e quindi consigliamo di fare riferimento al manuale dell'apparecchio per ulteriori informazioni. Consigliamo inoltre di impostare il televisore in modalità pass-through o bypass per usufruire delle migliori prestazioni audio con contenuti abilitati Dolby® Atmos® attraverso altri dispositivi collegati al televisore.*

## 2.2 Collegamento iniziale

Con tutti i collegamenti effettuati, l'app Bowers & Wilkins Music installata sul dispositivo mobile e il televisore configurato per il funzionamento con il metodo di collegamento selezionato, Panorama 3 è pronto per essere configurato.

Panorama 3 non è dotato di un interruttore di accensione/spengimento e, una volta collegato alla rete, eseguirà una breve routine di avvio prima di essere pronto per l'uso. Questa routine include l'avvio dell'altoparlante, la connessione alla rete e la creazione di un collegamento a un eventuale servizio di streaming disponibile e quindi il suo completamento può richiedere del tempo. Durante questa routine, il pulsante Multifunzione lampeggerà in bianco all'avvio e in arancione quando la connessione di rete viene stabilita. Al termine della routine di avvio, si sentirà un segnale acustico.

Quando Panorama 3 viene acceso per la prima volta, entrerà automaticamente in modalità di configurazione per abilitare la connessione alla rete domestica. La modalità di configurazione è indicata da una lenta illuminazione a impulsi di colore giallo del pulsante multifunzione (vedere Diagramma 1). Panorama 3 sarà inoltre visualizzato nell'app Bowers & Wilkins Music come disponibile per la configurazione, in una finestra di pop-up o dopo aver selezionato "Add Product" (Aggiungi prodotto) dalla pagina delle impostazioni dell'app.

Panorama 3 gestisce lo stato operativo e il consumo energetico in modo completamente automatico e passerà alla modalità di risparmio energetico dopo venti minuti di inattività. Non è necessario spegnere Panorama 3; se lo si desidera, tuttavia, può essere scollegato dall'alimentazione di rete. Panorama 3 manterrà le sue impostazioni anche senza l'alimentazione di rete.

## 3. Riavvio

È possibile riavviare l'altoparlante Panorama 3 premendo brevemente e rilasciando il pulsante di Reset situato sul pannello posteriore (vedere Diagramma 1). Premendo il pulsante Reset, Panorama 3 si spegnerà e si riavvierà. Tutte le impostazioni saranno ancora presenti al riavvio di Panorama 3. È anche possibile riavviare Panorama 3 tramite la pagina delle impostazioni nell'app Bowers & Wilkins Music.

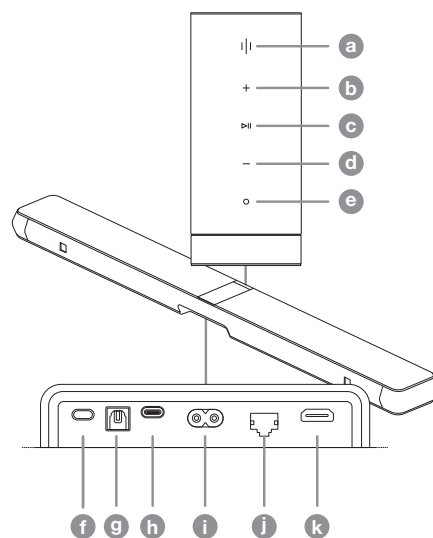


Diagramma 1

Pannello di controllo e connettori di Panorama 3

## 4. Ripristino alle impostazioni di fabbrica

Se si desidera ripristinare Panorama 3 alle impostazioni di fabbrica, tenere premuto il pulsante Reset per cinque secondi. La posizione del pulsante reset è visibile nel Diagramma 1. Il processo di ripristino viene indicato da un pulsante Multifunzione rosso e da un segnale acustico; questo processo spegnerà Panorama 3. Al riavvio, Panorama 3 entrerà in modalità di configurazione. Tutte le impostazioni saranno eliminate al ripristino di Panorama 3. È anche possibile ripristinare Panorama 3 tramite il menu delle Impostazioni dell'app Bowers & Wilkins Music.

## 5. Configurazione in rete

Con Panorama 3 in modalità di configurazione e con il pulsante Multifunzione che lampeggia lentamente in giallo, avviare l'app Bowers & Wilkins Music sul dispositivo iOS o Android. L'app guiderà l'utente con le necessarie istruzioni durante il processo di configurazione.

*Nota: Panorama 3 utilizza una connessione Bluetooth al dispositivo che esegue l'app Bowers & Wilkins Music durante il processo di configurazione. I segnali Bluetooth hanno una portata relativamente bassa e possono essere ostacolati dalle pareti della stanza, quindi consigliamo di tenere Panorama 3 e il dispositivo con l'app Bowers & Wilkins Music vicini durante il processo di configurazione.*

L'app Bowers & Wilkins Music richiede la creazione di un account utente. Quando si scarica l'app per la prima volta, verrà chiesto di accedere al proprio account o di crearne uno se ancora non si ha un account. Sarà necessario inserire un nome utente e una password. È anche possibile modificare le impostazioni delle notifiche per l'account prima della configurazione. Una volta creato un account, bisognerà convalidare l'indirizzo email facendo clic sul collegamento che sarà stato inviato al proprio indirizzo e-mail.

L'app Bowers & Wilkins Music cercherà prima tutti i prodotti in modalità di configurazione e poi chiederà automaticamente di avviare il processo di configurazione. In alternativa, è possibile configurare un nuovo prodotto dal menu delle Impostazioni selezionando "Add product" (Aggiungi prodotto) nella sezione "Your devices" (I tuoi dispositivi).

### Pulsanti / Connettori

- a Multifunzione
- b Volume su
- c Riproduzione/Pausa
- d Volume giù
- e Assistente vocale
- f Ripristino
- g Ingresso digitale
- h Assistenza
- i Alimentazione
- j Ethernet
- k HDMI (ARC/eARC)

Il processo di configurazione nell'app Bowers & Wilkins Music chiederà di dare un nome allo "spazio" in cui sarà utilizzato Panorama 3. Viene fornito un elenco di nomi di spazi, ma è anche possibile creare un nome personalizzato. Dopo aver selezionato o creato un nome dello spazio, l'app chiederà di premere il pulsante Multifunzione nella parte superiore di Panorama 3 per confermare la selezione.

Se si desidera utilizzare una connessione di rete wireless per Panorama 3, la fase successiva della configurazione consisterà nella connessione di Panorama 3 alla rete Wi-Fi domestica. L'app chiederà di confermare la rete Wi-Fi corretta e chiederà di inserire la sua password. In alternativa, se Panorama 3 è connesso al router di rete tramite un cavo Ethernet e un adattatore, questa fase del processo di configurazione verrà saltata.

*Nota: se altri prodotti compatibili con Bowers & Wilkins sono collegati alla rete Wi-Fi, Panorama 3 non richiederà di inserire la password Wi-Fi poiché questa sarà condivisa in modo sicuro tramite la funzione Quick Connect.*

Una volta completata la configurazione della rete Wi-Fi e dopo aver selezionato lo spazio, sarà necessario configurare l'ingresso selezionato per il collegamento al TV. L'app guiderà l'utente nella configurazione del TV. Se il collegamento al TV è stato effettuato tramite HDMI ARC/eARC, l'app Bowers & Wilkins Music mostrerà come collegare Panorama 3 al TV e abilitare CEC. Ciò consente di controllare l'audio di Panorama 3 con il telecomando del TV o del set-top box. Se il collegamento al TV è stato effettuato tramite il connettore ottico, l'app Bowers & Wilkins Music mostrerà come collegare Panorama 3 al TV e disabilitare gli altoparlanti interni del TV. Successivamente, verrà chiesto se si desidera che Panorama 3 apprenda i comandi IR del telecomando TV, consentendo di comandare Panorama 3 con questo telecomando.

*Nota: se Panorama 3 non riceve i comandi IR durante il processo di configurazione, potrebbe essere necessario abilitare il supporto IR per i dispositivi esterni sul TV. Per ulteriori informazioni, consultare il manuale del proprio televisore.*

## 6. Configurazione Bluetooth standalone

È possibile utilizzare Panorama 3 tramite Bluetooth senza connettere il prodotto a una rete. Con Panorama 3 in modalità di configurazione, indicata dal pulsante Multifunzione che lampeggia lentamente in giallo, tenere premuto il pulsante Multifunzione per 5 secondi. Panorama 3 riprodurrà un segnale acustico e il pulsante Multifunzione lampeggerà in blu. Questo indica che Panorama 3 è in modalità di associazione Bluetooth e che può essere connesso tramite il menu Bluetooth dei dispositivi sorgente. Panorama 3 sarà disponibile nel menu Bluetooth con il nome "Panorama 3".

*Nota: in questa configurazione il prodotto non può più essere installato in rete. Per connettere Panorama 3 a una rete in modalità Bluetooth standalone, sarà necessario eseguire un ripristino alle impostazioni di fabbrica del prodotto tramite il pulsante di Reset sul retro del prodotto (vedere la Sezione 4).*

Panorama 3 può essere associato a più dispositivi tenendo premuto il pulsante Multifunzione per 5 secondi per accedere alla modalità di associazione. Panorama 3 supporta l'associazione con un massimo di otto dispositivi.

*Nota: Panorama 3 rimarrà in modalità di associazione per 2 minuti e quindi abbandonerà questa modalità se nessun dispositivo viene associato. Per accedere nuovamente alla modalità di associazione, tenere premuto il pulsante multifunzione.*

## 7. Uso di Panorama 3

### 7.1 Spazi

Gli spazi sono un concetto fondamentale dell'app Bowers & Wilkins Music e dei prodotti compatibili. Uno "Spazio" è una stanza o un'area specifica nell'abitazione in cui si ascolta musica. Non è possibile utilizzare Panorama 3 con nessun altro dispositivo nello stesso spazio.

### 7.2 Supporto per Dolby

Panorama 3 supporta l'audio Dolby Digital nei seguenti formati:

- Dolby Digital
- Dolby Digital Plus™
- Dolby Atmos
- Dolby TrueHD

Per tutti questi formati audio, Panorama 3 ottimizzerà automaticamente la riproduzione e fornirà le migliori prestazioni audio possibili.

### 7.3 Streaming di musica

È possibile utilizzare Panorama 3 per riprodurre contenuti audio da servizi di streaming come Spotify, Apple Music, Qobuz e Tidal. Questi contenuti possono essere trasmessi in streaming direttamente dall'app Bowers & Wilkins Music, Spotify Connect®, AirPlay® 2 o Bluetooth.

### 7.4 Riproduzione di contenuti audio tramite l'app Bowers & Wilkins Music

Dopo aver collegato il prodotto e abilitato un servizio di streaming musicale nell'app Bowers & Wilkins Music, è possibile esplorare i contenuti musicali del servizio di streaming selezionato. Dopo aver selezionato il brano che si desidera riprodurre, è sufficiente fare clic sul pulsante "Play". Se si ha un solo spazio di ascolto, la musica verrà riprodotta automaticamente in quello spazio. Se hai più spazi, cliccando su "Play" verrà visualizzata una lista degli spazi disponibili nella propria abitazione e, selezionando uno spazio, verrà riprodotto l'audio nello spazio selezionato.

### 7.5 Riproduzione di audio tramite Spotify Connect

È possibile utilizzare il proprio telefono, tablet o computer come "telecomando" per Spotify. Per ulteriori informazioni, visitare <https://www.spotify.com/connect>.

### 7.6 Riproduzione di audio tramite AirPlay

AirPlay consente alle app sui dispositivi mobili, laptop o desktop Apple di trasmettere contenuti audio in rete a qualsiasi altoparlante compatibile con AirPlay, come Panorama 3. Le app abilitate per AirPlay visualizzeranno l'icona AirPlay.

Per utilizzare AirPlay, aprire l'app che si desidera utilizzare e selezionare il contenuto che si desidera riprodurre. Toccare l'icona AirPlay per visualizzare un elenco di dispositivi disponibili seguito dal nome dello spazio che si desidera utilizzare.

## 7.7 Riproduzione di audio tramite Bluetooth

Bluetooth consente alle app audio su dispositivi mobili, laptop o desktop di trasmettere contenuti in streaming a Panorama 3 tramite una connessione wireless.

Per utilizzare Bluetooth, è necessario prima associare il dispositivo a Panorama 3. Nell'app Bowers & Wilkins Music, selezionare "Settings" (Impostazioni), quindi lo spazio in cui si trova il dispositivo al quale si desidera eseguire l'associazione. Selezionare "Pair new device" (Associa nuovo dispositivo) per impostare Panorama 3 nella modalità di associazione Bluetooth. Andare al menu Bluetooth sul proprio dispositivo e associarlo a Panorama 3. Panorama 3 utilizzerà il nome dello spazio nel menu di associazione Bluetooth. Una volta associato, sarà possibile riprodurre l'audio tramite qualsiasi app sul dispositivo sorgente. È possibile visualizzare un elenco dei dispositivi associati a Panorama 3 nell'app Bowers & Wilkins Music.

*Nota: Panorama 3 rimarrà in modalità di associazione per 2 minuti e quindi abbandonerà questa modalità se nessun dispositivo viene associato. Per accedere nuovamente alla modalità di associazione, ripetere i passaggi precedenti.*

## 8. App Bowers & Wilkins Music

L'app Bowers & Wilkins Music si apre nella pagina principale. In fondo alla pagina, sono presenti quattro icone di navigazione per le sezioni principali dell'app: Browse (navigazione), Library (libreria), Search (ricerca) e Settings (impostazioni). L'icona illuminata in giallo indica in quale pagina ci si trova.

### 8.1 Browse (navigazione)

La pagina Browse dell'app Bowers & Wilkins Music presenta contenuti disposti su più righe in una visualizzazione a barra multifunzione nella quale è possibile eseguire ricerche scorrendo verso destra e verso sinistra. La pagina Browse visualizza le playlist consigliate generate in base ai gusti musicali dell'utente, alla musica ascoltata di recente e ad alcune playlist consigliate da Bowers & Wilkins. È anche possibile scorrere verso il basso e sfogliare la musica di qualsiasi servizio di streaming collegato all'app.

*Nota: le raccomandazioni sono basate sui generi, gli artisti, gli album e i brani per i quali si è espresso una preferenza. Per esprimere una preferenza, fare clic sul simbolo del cuore. Più preferenze si esprimono, più accurate saranno le raccomandazioni. Le raccomandazioni non sono divulgate e l'account Bowers & Wilkins non viene collegato al servizio di streaming musicale selezionato.*

### 8.2 Library (libreria)

La pagina "Library" raggruppa tutto il materiale che l'utente ha selezionato e memorizzato nell'app Bowers & Wilkins Music o in uno dei servizi di streaming. È possibile eseguire una ricerca nei contenuti per musica, podcast e radio. Se si sono espresse preferenze per del materiale presente nell'app nativa di un servizio di streaming, questi contenuti potrebbero non apparire immediatamente nella libreria dell'app Bowers & Wilkins Music.

### 8.3 Search (ricerca)

È possibile cercare qualsiasi tipo di musica tramite la funzione di ricerca nell'app Bowers & Wilkins Music. L'app eseguirà una ricerca in tutti i servizi di streaming collegati.

## 8.4 Settings (Impostazioni)

La pagina delle impostazioni consente di configurare prodotti multipli nell'abitazione. La pagina delle impostazioni è suddivisa in diverse sezioni:

- **I tuoi spazi**  
Questa sezione elenca tutti gli spazi dell'abitazione e qui è possibile configurare i singoli dispositivi.
- **Il tuo account**  
Questa sezione consente di modificare i dettagli dell'account e anche di collegare eventuali servizi musicali all'app.
- **I tuoi prodotti**  
Qui è possibile attivare tutti gli aggiornamenti disponibili per i prodotti nella propria abitazione.

## 8.5 Collegamento di servizi di streaming

L'app Bowers & Wilkins Music consente di selezionare e riprodurre musica da numerosi servizi di streaming, come Qobuz, Tidal, Deezer e molti altri. Per fare ciò, l'app Bowers & Wilkins Music deve essere collegata al servizio di streaming musicale prescelto. Questo può essere fatto nelle impostazioni, tramite il pulsante "Link services" (Collega servizi) in "Your account" (Il tuo account). Basta toccare e seguire le istruzioni sullo schermo.

## 8.6 Visualizzazione Player

Quando l'audio è in riproduzione su Panorama 3, è possibile controllare il volume, riprodurre/mettere in pausa l'audio, passare al brano successivo e precedente. La visualizzazione Player può essere ridotta a icona premendo la freccia giù, in alto a sinistra dello schermo. Questo riduce la visualizzazione Player a icona, posizionandola nella parte inferiore della schermata principale. L'icona può essere massimizzata toccando la visualizzazione del mini player in qualsiasi momento.

## 9. Aggiornamento software

Panorama 3 è un altoparlante connesso in rete e, come tale, miglioramenti possono essere sempre apportati all'affidabilità, mentre nuove funzioni e caratteristiche possono essere abilitate tramite aggiornamenti software. Quando è disponibile un aggiornamento software per qualsiasi prodotto in rete, una "tag" viene visualizzata sull'icona delle impostazioni. Andando alla pagina delle impostazioni, si visualizzerà l'aggiornamento disponibile. Toccare per attivare un aggiornamento di tutti i prodotti in rete che richiedono un aggiornamento.

## 10. Regolazioni audio

Il posizionamento di un altoparlante può impattare negativamente sulle prestazioni audio dello stesso. Posizionare un altoparlante vicino a una parete può enfatizzare eccessivamente i bassi e, se l'altoparlante non è rivolto verso l'ascoltatore, le altre frequenze possono essere compromesse. Pertanto, è possibile regolare le impostazioni dei bassi e degli alti di Panorama 3 per consentire una maggiore flessibilità nel posizionamento all'interno dell'ambiente di ascolto. Per accedere ai comandi, selezionare le impostazioni, il nome dello spazio in cui si trova il prodotto e quindi il dispositivo. Sarà possibile regolare i bassi e gli alti da -6 dB a +6 dB. Le impostazioni verranno memorizzate su Panorama 3 anche se l'alimentazione viene scollegata, ma verranno cancellate dopo un ripristino alle impostazioni di fabbrica.

## 11. Amazon Alexa

Panorama 3 è uno smart speaker con l'assistente vocale Amazon Alexa integrato. Per abilitare questa funzione, andare alla pagina delle impostazioni del dispositivo all'interno dell'app Bowers & Wilkins Music. Selezionare le impostazioni e quindi lo spazio contenente Panorama 3 per il quale si desidera abilitare l'assistente vocale. Quindi, selezionare il dispositivo. Verrà visualizzata la pagina delle impostazioni del dispositivo. È possibile abilitare Amazon Alexa qui collegando il proprio account Amazon. Basta fare clic sul collegamento e seguire le istruzioni. È possibile scollegare Panorama 3 dal proprio account Alexa in qualsiasi momento.

Per parlare con Alexa, dire semplicemente "Alexa" o premere il pulsante del servizio vocale su Panorama 3. Tenendo premuto il pulsante del servizio vocale, i microfoni di Alexa verranno disattivati.

## 12. Comandi di Panorama 3

Panorama 3 è dotato di pulsanti sul pannello superiore posteriore che consentono il controllo di riproduzione/pausa, regolazione del volume e servizi vocali – vedere il Diagramma 1.

Premendo il pulsante di Riproduzione/Pausa si interromperà e si riavvierà alternativamente la riproduzione audio.

Premendo il volume su o giù si regolerà il volume di qualsiasi audio riprodotto. Premendo senza rilasciare i pulsanti + e - aumenterà o diminuirà continuamente il volume.

Toccando il pulsante Multifunzione, si scorreranno e si riprodurranno gli streaming attivi e le sorgenti disponibili per Panorama 3. L'illuminazione del pulsante Multifunzione di Panorama 3 cambia per indicare diversi stati operativi. Le illuminazioni sono visualizzate nel Diagramma 2.

Premendo il pulsante del servizio vocale è possibile parlare con l'assistente vocale senza dover pronunciare la parola chiave. Questa funzionalità richiede l'attivazione di un servizio vocale su Panorama 3.

## 13. Pulizia

Se Panorama 3 deve essere pulito, è possibile pulire la superficie superiore con un panno privo di lanugine e spazzolare la sua griglia con una spazzola morbida. Se si desidera utilizzare un liquido detergente, applicarlo sul panno per la pulizia e non direttamente su Panorama 3. Provare prima su una piccola area, in quanto alcuni prodotti per la pulizia potrebbero danneggiare la superficie. Evitare prodotti abrasivi o contenenti agenti acidi, alcalini o antibatterici.

## 14. Assistenza

Se si ha bisogno di ulteriore aiuto o consigli riguardo il prodotto, visitare il sito di supporto qui: [www.bowerswilkins.com/support](http://www.bowerswilkins.com/support).

## 15. Informazioni ambientali

Questo prodotto gestisce automaticamente il suo stato di alimentazione senza bisogno di alcuna interazione. Quando è collegato a una rete e non viene utilizzato, il consumo di energia viene automaticamente ridotto al di sotto di 2 W.

Questo prodotto è conforme alle direttive internazionali, incluse ma non limitate alla restrizione delle sostanze pericolose (RoHS) nelle apparecchiature elettriche ed elettroniche, alla registrazione, valutazione, autorizzazione e restrizione delle sostanze chimiche (REACH) e allo smaltimento dei rifiuti di apparecchiature elettriche ed elettroniche (RAEE). Per indicazioni su come riciclare o smaltire correttamente questo prodotto, consultare l'autorità locale per lo smaltimento dei rifiuti.










Illuminazione		Stato funzionamento
Bianco lampeggiante		In corso di avviamento
Giallo lampeggiante lentamente		Pronto per la configurazione
Giallo lampeggiante		Aggiornamento firmware in corso
Bianco lampeggiante lentamente		Attivazione audio in corso
Rosso lampeggiante lentamente		Errore – contattare supporto
Rosso fisso		Errore – contattare supporto
Rosso lampeggiante		Ripristino alle impostazioni di fabbrica in corso
Blu lampeggiante		Modalità abbinamento Bluetooth
Blu fisso		Connessione Bluetooth stabilita

Diagramma 2  
Illuminazioni della spia Multifunzione

## Specifiche

Caratteristiche tecniche	Compatibile con l'app Bowers & Wilkins Music Apple AirPlay 2 Spotify Connect Bluetooth Abilitato Alexa Dolby TrueHD Discrete Dolby Atmos 3.1.2 HDMI eARC
Supporto formati audio	Dolby Atmos Dolby Digital True HD Dolby Digital Plus LPCM
Bluetooth	5.0, classe 2
Codec Bluetooth	aptX™ Adaptive AAC SBC
Compatibilità AirPlay 2	iPhone, iPad e iPod touch con iOS 11.4 o versione successiva, Apple TV 4K o Apple TV (4a Generazione) con tvOS 11.4 o versione successiva, Mac o PC con iTunes 12.8 o versione successiva
Uscita di potenza amplificatore	400 W
Driver	3 x tweeter Titanium Dome di 19 mm (0,75") 6 x bassi/midrange con cono in fibra di vetro intrecciata di 50 mm (2") 2 x driver Atmos con cono in fibra di vetro intrecciata di 50 mm (2") 2 x driver bassi a basso profilo di 100 mm (4")
Risposta in frequenza	43 Hz - 48 kHz
Dimensioni	65 mm (a) x 1.210 mm (l) x 140 mm (p)
Peso	6,5 kg
Collegamenti	1 x HDMI ARC/eARC 1 x Ingresso audio digitale (Toslink) 1 x RJ45 Ethernet 1 x USB-C (solo servizio)
Tensione di rete	100-240 V, 50/60 Hz
Assorbimento elettrico in standby	Inferiore a 2 watt

I termini HDMI e HDMI High-Definition Multimedia Interface e il logo HDMI sono marchi o marchi registrati di HDMI Licensing Administrator, Inc. negli Stati Uniti e in altri paesi. Dolby, Dolby Atmos e Dolby Digital Plus sono marchi registrati di Dolby Laboratories. Apple, AirPlay, Apple Music, iOS, iPhone, iPad, iPod touch, iTunes, Apple TV, Mac, macOS, OS X e tvOS sono marchi registrati di Apple Inc., registrati negli Stati Uniti e in altri paesi. Il marchio "iPhone" è utilizzato in Giappone su licenza di Aiphone KK. Spotify e Spotify Connect sono marchi di Spotify AB. La disponibilità di Spotify Connect può dipendere dalla regione; visitare [www.spotify.com](http://www.spotify.com) per maggiori dettagli. Amazon, Alexa e tutti i relativi loghi sono marchi di Amazon.com, Inc. o delle sue affiliate. Android è un marchio di Google LLC. aptX è un prodotto di Qualcomm Technologies, Inc. e/o delle sue consociate. aptX è un marchio di Qualcomm Technologies International, Ltd., registrato negli Stati Uniti e in altri paesi. Il marchio denominativo e i loghi Bluetooth sono marchi registrati di proprietà di Bluetooth SIG, Inc. e qualsiasi utilizzo di tali marchi da parte di Bowers & Wilkins è concesso in licenza. Altri marchi e nomi commerciali appartengono ai rispettivi proprietari.

## Welkom bij Bowers & Wilkins en de Panorama 3

Toen John Bowers het bedrijf Bowers & Wilkins oprichtte, deed hij dat in de overtuiging dat een vindingrijk ontwerp, innovatieve techniek en geavanceerde technologie de sleutels waren tot het ontsluiten van audioplezier in huis. Die overtuiging blijft een inspiratiebron voor elk product dat we ontwerpen.

De Panorama 3 is een op een netwerk aangesloten, draadloze actieve luidspreker met extreem hoge prestaties. De Panorama 3 is bedoeld om hoofdzakelijk te worden ingesteld en bediend met de Bowers & Wilkins Music-app. De app is beschikbaar voor zowel iOS- als Android™-apparaten. Sommige veelgebruikte bedieningsfuncties zijn ook beschikbaar via toetsen op het paneel aan de bovenkant van de Panorama 3 die verborgen zijn tot deze oplichten. De Panorama 3 kan alleen worden geïnstalleerd en ingesteld met de Bowers & Wilkins Music-app.

Met de Panorama 3 kunt u het volgende:

- Luisteren naar audio van tv's via een HDMI® ARC/eARC-aansluiting.
- Luisteren naar audio van tv's via een optische digitale audio-aansluiting.
- Luisteren naar audio van streamingdiensten zoals Tidal, Qobuz, Deezer, Spotify®, Apple Music en vele andere.
- Via Bluetooth® luisteren naar audio van Bluetooth-bronapparaten die hiervoor geschikt zijn.
- Luisteren naar audio die overal in huis wordt afgespeeld, op elke compatibele draadloze luidspreker van Bowers & Wilkins die met uw thuisnetwerk is verbonden.

De Bowers & Wilkins Music-app is vereist om de Panorama 3 met uw thuisnetwerk te verbinden en ook om verbinding te maken met andere producten in huis. De Bowers & Wilkins Music-app biedt ook enkele bedienings- en configuratiefuncties tijdens gebruik. Download en installeer de Bowers & Wilkins Music-app op uw iOS- of Android-apparaat voordat u de Panorama 3 installeert. Voor de Bowers & Wilkins Music-app is iOS 11.4 of hoger, of Android V8.1 of hoger vereist. Bluetooth- en Wi-Fi-diensten moeten zijn ingeschakeld op uw iOS- of Android-apparaat. Ook moet u het wachtwoord van uw Wi-Fi-netwerk kennen.

*N.B.: Op Android-apparaten moet tijdens het installatieproces de functie Locatieservices zijn ingeschakeld. Dit komt doordat compatibele Bowers & Wilkins-producten voor servicecommunicatie gebruikmaken van een energiezuinige vorm van Bluetooth (BT-LE), die op Android-apparaten alleen wordt ingeschakeld wanneer Locatieservices is ingeschakeld. Bowers & Wilkins gebruikt geen gegevens van locatieservices voor marketingdoeleinden.*

\* Functie wordt in 2022 geactiveerd



## 1. Inhoud van de verpakking

Panorama 3  
Voedingskabel  
HDMI-kabel  
Muurbeugel  
Documentatiepakket

## 2. De Panorama 3 installeren

De Panorama 3 is ontworpen om samen te werken met uw tv en moet zich daarom in de buurt van uw tv bevinden. Wanneer de Panorama 3 met de tv is verbonden, is er zowel een HDMI-aansluiting als netvoeding nodig om te kunnen werken, dus moet de Panorama 3 zich in de buurt van een stopcontact en een HDMI-aansluiting bevinden. Als de Panorama 3 gebruikt moet worden van een bekabelde aansluiting met uw thuisnetwerk, moet de Panorama 3 in de buurt van een geschikt netwerk (Ethernet-kabel) worden geplaatst en gebruikmaken van een USB-C-naar-Ethernet-adaptor.

De Panorama 3 kan op een plank, tafel of meubel worden geplaatst maar kan ook met de speciale muurbeugel aan de wand worden bevestigd. Deze beugel is bij de Panorama 3 meegeleverd. Als u besluit om de Panorama 3 op een plank te plaatsen, zorg er dan voor dat de plank het gewicht gemakkelijk kan dragen. De geluidsprestaties kunnen afnemen als het meubilair of de plank niet stevig genoeg is of resonanceert.

*N.B.: Als de Panorama 3 op een muurbeugel moet worden gemonteerd, zorg er dan voor dat u de beugel volgens de bijgeleverde instructies monteert. Als u niet zeker bent of een wand geschikt is of niet zeker weet of u de muurbeugel goed kunt monteren, schakel dan specialistische hulp in.*

Zoals de meeste luidsprekers straalt de Panorama 3 geluidsendergie niet alleen naar voren, maar naar boven, naar opzij en naar achteren uit. Als de Panorama 3 dus dicht bij de wand van de kamer staat, met name in een hoek, kunnen de lage tonen te sterk worden benadrukt. Als u vindt dat de lage tonen van de Panorama 3 te prominent aanwezig zijn, kan het nuttig zijn de Panorama 3 ergens anders neer te zetten, maar u kunt het niveau van de lage tonen ook verlagen via het instellingenmenu van de Bowers & Wilkins Music-app.

## 2.1 Aansluitingen

Naast een stopcontact beschikt de Panorama 3-luidspreker ook over een HDMI ARC/eARC-aansluiting, een optische audio-aansluiting en een USB-C-aansluiting voor servicedoeleinden. Het is mogelijk de Panorama 3 met een Ethernet-naar-USB-C-adaptor (niet meegeleverd) aan te sluiten op een Ethernet-poort.

De eerste aanbevolen aansluiting op een tv is de HDMI-aansluiting. Wij raden aan de Panorama 3 aan te sluiten op de ARC-aansluiting van uw tv. Als uw tv geen ARC- of eARC-compatibele HDMI-aansluiting heeft, kunt u de Panorama 3 met de optische digitale audio-aansluiting op de tv aansluiten.

*N.B.: Voor de beste functionaliteit en prestaties van de Panorama 3 met uw tv raden we aan ARC (en eARC indien beschikbaar op uw tv) en CEC in te schakelen. Op elk tv-merk is er een andere manier om deze functies in te schakelen en we raden u aan de handleiding van uw tv te raadplegen voor meer informatie. Ook raden we u aan de tv in te stellen op de pass-through- of bypass-modus om te genieten van de beste audioprestaties vanaf andere apparaten die Dolby® Atmos® ondersteunen die op uw tv zijn aangesloten.*

## 2.2 Eerste keer aansluiten

Nu alle aansluitingen tot stand zijn gebracht, de Bowers & Wilkins Music-app op uw mobiele toestel is geïnstalleerd en uw tv is ingesteld om met de geselecteerde aansluitingsmethode te werken, kan de Panorama 3 worden ingesteld.

De Panorama 3 heeft geen netchakelaar. Zodra de Panorama 3 op het lichtnet wordt aangesloten, voert deze een korte opstartroutine uit voordat deze klaar is voor gebruik. De opstartroutine bestaat uit het opstarten van de luidspreker, verbinding maken met het netwerk en verbinding maken met eventuele streamingdiensten. Dit kan daarom enige tijd in beslag nemen. Gedurende deze tijd knippert de multifunctionele knop wit tijdens het opstarten en oranje wanneer er een netwerkverbinding tot stand wordt gebracht. Er wordt een geluid afgespeeld wanneer de opstartroutine is voltooid.

Wanneer een nog niet eerder gebruikte Panorama 3 voor het eerst wordt ingeschakeld, zal deze automatisch in de instelmodus gaan om verbinding met uw thuisnetwerk mogelijk te maken. De instelmodus wordt aangegeven door een langzaam pulserende amberkleurige verlichting van de multifunctionele knop (zie afbeelding 1). De Panorama 3 wordt ook in de Bowers & Wilkins Music-app weergegeven als apparaat dat beschikbaar is om te worden geïnstalleerd. Het bericht verschijnt als pop-up of na het selecteren van Add product (Product toevoegen) op de pagina met instellingen van de app.

De Panorama 3 beheert zijn status en stroomverbruik geheel automatisch en schakelt na twintig minuten inactiviteit over op een energiebesparende modus. Het is niet nodig de Panorama 3 ooit uit te schakelen, maar mocht u dat toch willen doen, dan kunt u hem gewoon loskoppelen van de netvoeding. De Panorama 3 behoudt zijn instellingen, ook zonder netvoeding.

## 3. Opnieuw starten

U kunt een Panorama 3-luidspreker opnieuw starten door de reset-knop op het achterpaneel kort in te drukken en weer los te laten (zie afbeelding 1). Door op de knop te drukken wordt de Panorama 3 uit- en weer aangezet. Alle instellingen blijven behouden wanneer u de Panorama 3 opnieuw opstart. U kunt de Panorama 3 ook opnieuw starten op de pagina met instellingen in de Bowers & Wilkins Music-app.

## 4. Fabrieksinstellingen terugzetten

Als u de fabrieksinstellingen van de Panorama 3 wilt terugzetten, moet u de reset-knop vijf seconden ingedrukt houden. De plaats van de reset-knop is te zien in afbeelding 1. Het reset-proces wordt aangegeven door een rode multifunctionele knop en een geluidssignaal. Tijdens dit proces wordt de Panorama 3 uitgeschakeld. Na het opnieuw starten, gaat de Panorama 3 over op de instelmodus. Alle instellingen worden gewist wanneer de Panorama 3 wordt gereset. U kunt de Panorama 3 ook resetten via het instellingenmenu in de Bowers & Wilkins Music-app.

## 5. Instellen in een netwerk

Start de Bowers & Wilkins Music-app op uw iOS- of Android-apparaat terwijl de Panorama 3 in de instelmodus staat en de multifunctionele knop langzaam amberkleurig pulseert. De app begeleidt u met aanwijzingen door het installatieproces.

*N.B.: De Panorama 3 maakt tijdens het installatieproces gebruik van een Bluetooth-verbinding met het apparaat waarop de Bowers & Wilkins Music-app wordt uitgevoerd. Bluetooth-signalen hebben een relatief klein bereik en kunnen worden onderbroken door wanden en muren, dus wij raden aan om de Panorama 3 en het apparaat met de Bowers & Wilkins Music-app dicht bij elkaar te houden tijdens het installatieproces.*

Voor de Bowers & Wilkins Music-app moet u een gebruikersaccount maken. Wanneer u de app de eerste keer downloadt, wordt u gevraagd u aan te melden bij uw account als u er al een hebt of een account te maken. U moet een gebruikersnaam en wachtwoord invoeren. U kunt de meldingen voor uw account wijzigen voordat u deze instelt. Zodra u een account hebt gemaakt, moet u het e-mailadres valideren door op de koppeling te klikken die naar uw e-mailadres is verzonden.

De Bowers & Wilkins Music-app zoekt eerst naar producten in de instelmodus en vraagt u vervolgens automatisch om de instelprocedure te starten. U kunt ook een nieuw product instellen in het instellingenmenu door Add product (Product toevoegen) te selecteren in het gedeelte Your Devices (Uw apparaten).

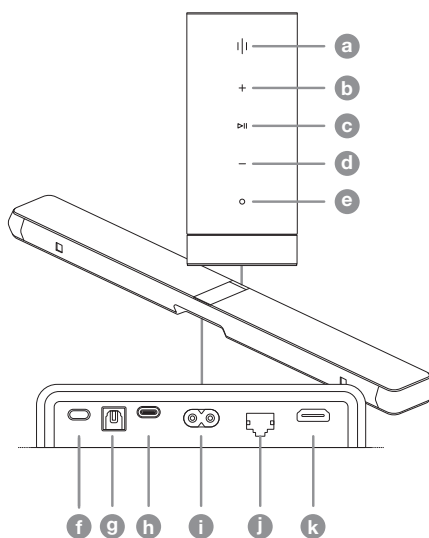


Diagram 1  
Panorama 3 - bedieningspaneel en aansluitingen

### Knoppen/aansluitingen

- a Multifunctioneel
- b Volume omhoog
- c Afspelen/pauzeren
- d Volume omlaag
- e Spraakassistent
- f Reset
- g Digitale ingang
- h Servicedoeleinden
- i Aan/uit
- j Ethernet
- k HDMI (ARC/eARC)

Tijdens het instelproces in de Bowers & Wilkins Music-app wordt u gevraagd de ruimte een naam te geven waarin de Panorama 3 wordt gebruikt. Er is een lijst met voorgestelde ruimtenamen, maar u kunt ook uw eigen naam bedenken. Wanneer u een ruimtenaam hebt geselecteerd of ingevoerd, vraagt de app u om op de multifunctionele knop bovenop de Panorama 3 te drukken om de selectie te bevestigen.

Als u een draadloze netwerkverbinding voor de Panorama 3 wilt gebruiken, is de volgende stap het verbinden van de Panorama 3 met uw Wi-Fi-thuisnetwerk. De app vraagt u het juiste Wi-Fi-netwerk op te geven en vraagt u om het wachtwoord in te voeren. Als de Panorama 3 met een Ethernet-kabel op uw netwerkrouter is aangesloten, wordt deze fase van het instelproces overgeslagen.

*N.B.: Als u al andere producten die compatibel zijn met Bowers & Wilkins met uw Wi-Fi-netwerk hebt verbonden, hoeft u voor de Panorama 3 uw Wi-Fi-wachtwoord niet in te voeren, omdat dit veilig via de Quick Connect-functie wordt gedeeld.*

Nu het instellen van het WiFi-netwerk en de ruimte is gekozen, moet u de ingang configureren die u voor de verbinding met de tv hebt gekozen. Met de app kunt u uw tv instellen. Als u de tv via HDMI ARC/eARC hebt aangesloten, ziet u in de Bowers & Wilkins Music-app hoe u de Panorama 3 op de tv aansluit en CEC inschakelt. U kunt dan met de afstandsbediening van uw tv of decoder de audio op de Panorama 3 regelen. Als u de tv via de optische connector hebt aangesloten, ziet u in de Bowers & Wilkins Music-app hoe u de Panorama 3 op de tv aansluit en hoe u de interne luidsprekers van de tv uitschakelt. Vervolgens wordt u gevraagd of u de Panorama 3 de infraroodopdrachten van de afstandsbediening van uw tv wilt laten leren, zodat u de Panorama 3 met deze afstandsbediening kunt bedienen.

*N.B.: Als de Panorama 3 tijdens het installatieproces geen infraroodopdrachten ontvangt, moet u wellicht de infraroodondersteuning voor externe apparaten op uw tv inschakelen. Raadpleeg de handleiding van uw tv voor meer informatie.*

## 6. Zelfstandige Bluetooth-verbinding

Het is mogelijk om de Panorama 3 via Bluetooth te gebruiken zonder dat u het product met een netwerk verbindt. Wanneer de Panorama 3 in de instelmodus staat - wat wordt aangegeven door de multifunctionele knop die langzaam amberkleurig pulseert - houdt u de multifunctionele knop gedurende 5 seconden ingedrukt. De Panorama 3 speelt een geluidssignaal af en de multifunctionele knop knippert blauw. Dit geeft aan dat de Panorama 3 in de Bluetooth-koppelingsmodus staat en dat er verbinding mee kan worden gemaakt via het Bluetooth-menu van uw bronapparaat. De Panorama 3 staat onder de naam 'Panorama 3' in het Bluetooth-menu.

*N.B.: In deze configuratie kan het product niet meer met een netwerk worden verbonden. Om de Panorama 3 via een zelfstandige Bluetooth-verbinding met een netwerk te verbinden, moet u de fabrieksinstellingen terugzetten van het product via de reset-knop aan de achterzijde van het product (zie paragraaf 4).*

De Panorama 3 kan aan meerdere apparaten worden gekoppeld door de multifunctionele knop 5 seconden ingedrukt te houden om de koppelingsmodus te activeren. De Panorama 3 kan aan maximaal acht apparaten worden gekoppeld.

*N.B.: De Panorama 3 blijft 2 minuten in de koppelstand en wordt uitgeschakeld als er binnen die tijd geen apparaat is gekoppeld. Houd de multifunctionele knop ingedrukt om de koppelingsmodus te openen.*

## 7. De Panorama 3 gebruiken

### 7.1 Ruimtes

Ruimtes zijn een belangrijk aspect in de Bowers & Wilkins Music-app en compatibele producten. Een ruimte is een kamer of een specifieke ruimte in uw huis waar u naar muziek luistert. Het is niet mogelijk om de Panorama 3 met een ander apparaat in dezelfde ruimte te gebruiken.

### 7.2 Dolby-ondersteuning

De Panorama 3 ondersteunt Dolby Digital-audio in de volgende indelingen:

- Dolby Digital
- Dolby Digital Plus™
- Dolby Atmos
- Dolby TrueHD

Voor al deze audio-indelingen optimaliseert de Panorama 3 het afspelen automatisch om de best mogelijke audioprestaties te leveren.

### 7.3 Muziek streamen

U kunt met de Panorama 3 audio afspelen van streamingdiensten zoals Spotify, Apple Music, Qobuz en Tidal. Deze kunnen rechtstreeks worden gestreamd via de Bowers & Wilkins Music-app, Spotify Connect®, AirPlay® 2 of Bluetooth.

### 7.4 Audio afspelen via de Bowers & Wilkins Music-app

Zodra u uw product hebt aangesloten en een muziekstreamingdienst hebt ingeschakeld in de Bowers & Wilkins Music-app, kunt u bladeren door de muziek van uw streamingdienst. Zodra u het nummer hebt gekozen dat u wilt afspelen, klikt u op de knop Play (Afspelen). Als u slechts één enkele ruimte hebt, wordt de muziek automatisch in die ruimte afgespeeld. Als u meerdere ruimten hebt, wordt met klikken op 'Afspelen' een lijst met de beschikbare ruimten in huis weergegeven, en door een ruimte te selecteren wordt de audio in de geselecteerde ruimte afgespeeld.

### 7.5 Audio afspelen via Spotify Connect

Gebruik uw telefoon, tablet of computer als afstandsbediening voor Spotify. Ga naar <https://www.spotify.com/connect> om te leren hoe dit in zijn werk gaat.

### 7.6 Audio afspelen via AirPlay

Met AirPlay kunnen apps op mobiele apparaten, laptops of pc's van Apple via een netwerk audio streamen naar AirPlay-compatibele luidsprekers zoals de Panorama 3. In AirPlay-toepassingen wordt het AirPlay-pictogram weergegeven.

Om AirPlay te gebruiken, opent u de app die u wilt gebruiken en selecteert u de content die u wilt afspelen. Tik op het AirPlay-pictogram om een lijst met beschikbare apparaten weer te geven, gevolgd door de naam van de ruimte die u wilt gebruiken.

## 7.7 Audio afspelen via Bluetooth

Met Bluetooth kunnen audio-apps op mobiele apparaten, laptops en pc's via een draadloze verbinding content streamen naar de Panorama 3.

Om Bluetooth te gebruiken, moet u eerst uw apparaat met de Panorama 3 koppelen. Selecteer in de Bowers & Wilkins Music-app de optie Settings (Instellingen) en vervolgens de ruimte met het apparaat dat u wilt koppelen. Door Pair New Device (Nieuw apparaat koppelen) te selecteren, wordt de Panorama 3 in de Bluetooth-koppelingsmodus gezet. Ga naar het Bluetooth-menu van uw apparaat en koppel het met de Panorama 3. De Panorama 3 zal de naam van de ruimte in het Bluetooth-koppelingsmenu gebruiken. Nadat de koppeling tot stand is gebracht, kunt u via elke app op uw bronapparaat audio afspelen. In de Bowers & Wilkins Music-app kunt u een lijst bekijken met de aan de Panorama 3 gekoppelde apparaten.

*N.B.: De Panorama 3 blijft 2 minuten in de koppelstand en wordt uitgeschakeld als er binnen die tijd geen apparaat is gekoppeld. Herhaal de bovenstaande stappen om de koppelingsmodus opnieuw in te schakelen.*

## 8. Bowers & Wilkins Music-app

Als u de Bowers & Wilkins Music-app opent, ziet u als eerste de hoofdpagina. Onderaan de pagina staan vier navigatiepictogrammen voor de belangrijkste onderdelen van de app: bladeren, bibliotheek, zoeken en instellingen. Het geel oplichtende pictogram geeft aan op welke pagina u zich bevindt.

### 8.1 Bladeren

Op de bladerpagina van de Bowers & Wilkins Music-app vindt u content die in meerdere rijen is gerangschikt op een lint dat u kunt doorzoeken door naar rechts en links te vegen. De bladerpagina toont aanbevolen afspeellijsten die zijn gegenereerd op basis van uw muzieksmaak, uw onlangs afgespeelde muziek en enkele door Bowers & Wilkins samengestelde aanbevolen afspeellijsten. U kunt ook naar beneden scrollen en door muziek bladeren van specifieke streamingdiensten die u aan uw app hebt gekoppeld.

*N.B.: De aanbevelingen zijn gebaseerd op de genres, artiesten, albums en nummers waarvan u hebt aangegeven dat u die leuk vindt. Klik op het hartje naast content die u leuk vindt. Hoe meer u leuk vindt, hoe beter de aanbevelingen zullen zijn. Uw aanbevelingen blijven bij u en uw Bowers & Wilkins-account, en zijn niet gekoppeld aan uw muziekstreamingdienst.*

### 8.2 Bibliotheek

Op de bibliotheekpagina staat alle content gegroepeerd die u in de Bowers & Wilkins Music-app of in een van uw streamingdiensten hebt gevonden. U kunt hier content zoeken op muziek, podcasts en radio. Als u content in de app van een streamingdienst leuk vindt, verschijnt het mogelijk niet meteen in de muziekbibliotheek van de Bowers & Wilkins Music-app.

### 8.3 Zoeken

U kunt naar alle muziek zoeken via de zoekfunctie in de Bowers & Wilkins Music-app. De app zoekt naar resultaten bij al uw gekoppelde streamingdiensten.

## 8.4 Instellingen

Op de instellingenpagina's kunt u meerdere producten in huis configureren. De instellingenpagina is opgesplitst in verschillende onderdelen:

- **Uw ruimten**  
Hier vindt u een lijst met alle ruimten in huis en van hieruit kunt u afzonderlijke apparaten configureren.
- **Uw Account**  
In dit onderdeel kunt u uw accountgegevens wijzigen en muziekdiensten aan uw app koppelen.
- **Uw producten**  
Hier kunt u alle updates activeren die voor al uw producten in huis beschikbaar zijn.

## 8.5 Streamingdiensten koppelen

Met de Bowers & Wilkins Music-app kunt u muziek selecteren en afspelen van een aantal streamingdiensten, zoals Qobuz, Tidal, Deezer en nog veel meer. Om dit te doen moet de Bowers & Wilkins Music-app gekoppeld zijn aan uw muziek-streamingdienst. U doet dit in de instellingen via de knop Link services (Diensten koppelen) in Your Account (Uw account). U hoeft alleen maar te tikken en de instructies op het scherm te volgen.

## 8.6 De spelerweergave

Wanneer er audio wordt afgespeeld op de Panorama 3, kunt u het volume regelen, audio afspelen/pauzeren, en vooruit en terugspoelen. De weergave van de speler kan worden geminimaliseerd door op de pijl omlaag linksboven in het scherm te drukken. De speler wordt dan geminimaliseerd naar de onderkant van het hoofdscherm. U kunt de speler weer maximaliseren door op elk moment op de miniweergave van de speler te tikken.

## 9. Software bijwerken

De Panorama 3 is een netwerkuidspreker en als zodanig kunnen verbeteringen worden aangebracht in de betrouwbaarheid en kunnen er via software-updates nieuwe functies en voorzieningen worden aangebracht. Wanneer er een software-update beschikbaar is voor een product in uw netwerk, wordt dat aangegeven op het instellingenpictogram. Als u naar de pagina Instellingen gaat, ziet u de beschikbare update. Als u hierop tikt, worden alle producten in het netwerk bijgewerkt die een update nodig hebben.

## 10. Audio-aanpassingen

De plaatsing van een luidspreker kan van invloed zijn op het geluid. Als een luidspreker dicht bij een muur wordt geplaatst, kan de nadruk te veel op de lage tonen komen te liggen en als de luidspreker niet naar u toe is gericht, kunnen de hoge frequenties worden afgezwakt. Het is mogelijk de lage en hoge tonen van de Panorama 3 aan te passen, zodat u meer mogelijkheden hebt om de Panorama 3 in uw kamer te plaatsen. Om toegang te krijgen tot deze instellingen, selecteert u de instellingen en vervolgens de naam van de ruimte met het product dat u wilt aanpassen. Selecteer vervolgens het apparaat. U kunt de lage en hoge tonen aanpassen van -6dB tot +6dB. De instellingen worden door de Panorama 3 opgeslagen en blijven behouden wanneer de stroom wordt uitgeschakeld, maar bij het terugzetten van de fabrieksinstellingen gaan ze verloren.

## 11. Amazon Alexa

De Panorama 3 is een zogeheten smart speaker, oftewel een slimme luidspreker, waarin de Amazon Alexa-spraakassistent is ingebouwd. Om deze functie in te schakelen, gaat u naar de instellingenpagina van het apparaat in de Bowers & Wilkins Music-app. Selecteer Instellingen en kies vervolgens de ruimte met de Panorama 3 waarop u de spraakassistent wilt inschakelen. Selecteer vervolgens het apparaat. De pagina met apparaatinstellingen wordt weergegeven. U kunt Amazon Alexa hier inschakelen door uw Amazon-account te koppelen: klik gewoon op de koppeling en volg de instructies. U kunt de koppeling tussen de Panorama 3 en uw Alexa-account op elk moment opheffen.

Om met Alexa te praten, zegt u gewoon het activeringswoord "Alexa" of drukt u op de spraakserviceknop op de Panorama 3. Als u de spraakservice knop ingedrukt houdt, worden de microfoons van Alexa gedempt.










## 12. Bedieningselementen van de Panorama 3

De Panorama 3 heeft knoppen op de bovenkant van het achterpaneel waarmee u afspelen/pauzeren kunt regelen, het volume kunt regelen en spraakservice kunt inschakelen – zie afbeelding 1.

Als u op afspelen/pauzeren drukt, wordt de audioweergave afwisselend gestopt en opnieuw gestart.

Door op volume omhoog (+) of omlaag (-) te drukken wordt het volume van de audio aangepast die wordt afgespeeld. Als u de knoppen + of - ingedrukt houdt, wordt het volume doorlopend verhoogd of verlaagd.

Door de multifunctionele knop aan te raken worden de actieve streams en bronnen die voor de Panorama 3 beschikbaar zijn, doorlopen en afgespeeld. De verlichting van de multifunctionele knoppen van de Panorama 3 verandert om diverse operationele statussen aan te geven. De verlichting vindt u in afbeelding 2.

Verlichting		Bedrijfsstatus
Knipperend wit		Bezig met opstarten
Pulserend amber		Klaar voor installatie
Knipperend amber		Bezig met bijwerken van firmware
Pulserend wit		Audio wordt opgehaald
Pulserend rood		Fout - neem contact op met ondersteuning
Continu rood		Fout - neem contact op met ondersteuning
Knipperend rood		Fabrieksinstellingen worden teruggezet (reset)
Knipperend blauw		Bluetooth-koppelmodus
Continu blauw		Bluetooth-verbinding tot stand gebracht

Afbeelding 2  
Statusverlichting van multifunctionele functie

Als u op de spraakserviceknop drukt, kunt u met de spraakassistent praten zonder dat u het activeringswoord hoeft te zeggen. Voor deze functionaliteit moet een spraakservice op de Panorama 3 zijn ingeschakeld.

## 13. Reiniging

Als de Panorama 3 moet worden schoongemaakt, kunt u de bovenkant afnemen met een schone, pluisvrije doek en het rooster borstelen met een zachte borstel. Als u een reinigingsvloeistof wilt gebruiken, breng deze dan aan op het reinigingsdoekje en niet rechtstreeks op de Panorama 3. Test eerst een klein oppervlak, want sommige schoonmaakmiddelen kunnen bepaalde oppervlakken beschadigen. Vermijd producten die schuren en vermijd producten die zuren, basen of antibacteriële stoffen bevatten.

## 14. Ondersteuning

Mocht u nog hulp of advies nodig hebben met betrekking tot uw product, ga dan onze ondersteuningsite: [www.bowerswilkins.com/support](http://www.bowerswilkins.com/support).

## 15. Milieu-informatie

Dit product beheert automatisch zijn voedingsstatus zonder dat daarvoor enige actie nodig is. Als het apparaat op een netwerk is aangesloten en niet wordt gebruikt, wordt het stroomverbruik automatisch verlaagd tot minder dan 2 Watt.

Dit product voldoet aan internationale richtlijnen, met inbegrip van maar niet beperkt tot de beperking van gevaarlijke stoffen (RoHS) in elektrische en elektronische apparatuur, de registratie, evaluatie, autorisatie en beperking van chemische stoffen (REACH) en de verwijdering van afgedankte elektrische en elektronische apparatuur (WEEE). Raadpleeg uw plaatselijke gemeentelijke afdeling die zich bezighoudt met afvalverwijdering voor advies over de juiste manier om dit product te recyclen of in te leveren.

## Specificaties

Technische kenmerken	Compatibel met Bowers & Wilkins Music-app Apple AirPlay 2 Spotify Connect Bluetooth Geschikt voor Alexa Dolby TrueHD Discrete Dolby Atmos 3.1.2 HDMI eARC
Ondersteuning voor audio-indelingen	Dolby Atmos Dolby Digital True HD Dolby Digital Plus LPCM
Bluetooth	5.0, klasse 2
Bluetooth-codecs	aptX™ Adaptive AAC SBC
AirPlay 2-compatibiliteit	iPhone, iPad en iPod touch met iOS 11.4 of hoger, Apple TV 4K of Apple TV (vierde generatie) met tvOS 11.4 of hoger, Mac of pc met iTunes 12.8 of hoger
Uitgangsvermogen van versterker	400W
Drivers	3x 19mm (0,75 inch) Titanium dome-tweeter 6x 50mm (2 inch) Geweven glasvezel conus woofer/middentoner 2x 50mm (2 inch) Geweven glasvezel conus Atmos-driver 2x 100mm (4 inch) Bas-eenheid met laag profiel
Frequentierespons	43 Hz - 48 kHz
Afmetingen	65mm (h) x 1210mm (b) x 140mm (d)
Gewicht	6,5kg
Aansluitingen	1x HDMI ARC/eARC 1x Digitale audio-ingang (Toslink) 1x RJ45 Ethernet 1x USB-C (alleen servicedoeleinden)
Ingangsspanning	100V-240V, 50/60Hz
Stroomverbruik in stand-by	Minder dan 2 Watt

De termen HDMI en HDMI High-Definition Multimedia Interface, en het HDMI-logo zijn handelsmerken of gedeponeerde handelsmerken van HDMI Licensing Administrator, Inc. in de Verenigde Staten en andere landen. Dolby, Dolby Atmos en Dolby Digital Plus zijn gedeponeerde handelsmerken van Dolby Laboratories. Apple, AirPlay, Apple Music, iOS, iPhone, iPad, iPod touch, iTunes, Apple TV, Mac, macOS, OS X en tvOS zijn gedeponeerde handelsmerken van Apple Inc. en zijn geregistreerd in de VS en andere landen. Het handelsmerk "iPhone" wordt in Japan gebruikt met een licentie van Alphone KK. Spotify en Spotify Connect zijn handelsmerken van Spotify AB. De beschikbaarheid van Spotify Connect is mogelijk afhankelijk van uw regio. Kijk op [www.spotify.com](http://www.spotify.com) voor meer informatie. Amazon, Alexa en alle gerelateerde logo's zijn handelsmerken van Amazon.com, Inc. of aan haar verwante bedrijven. Android is een handelsmerk van Google LLC. aptX is een product van Qualcomm Technologies, Inc. en/of zijn dochterondernemingen. aptX is een handelsmerk van Qualcomm Technologies International, Ltd., geregistreerd in de Verenigde Staten en andere landen. Het Bluetooth-woord, het Bluetooth-symbool en de Bluetooth-logo's zijn gedeponeerde handelsmerken van Bluetooth SIG, Inc. en deze worden door Bowers & Wilkins onder licentie gebruikt. Andere handelsmerken en handelsnamen zijn het eigendom van hun respectieve eigenaren.

## Καλωσορίσατε στην Bowers & Wilkins και το Panorama 3

Ο John Bowers ίδρυσε την Bowers & Wilkins με την πεποίθηση ότι η ευφάνταστη σχεδίαση, η καινοτομία στην ανάπτυξη και η εξελιγμένη τεχνολογία θα ήταν τα κλειδιά που θα άνοιγαν νέους κόσμους απόλαυσης του ήχου στο σπίτι. Αυτή η πεποίθηση συνεχίζει να εμπνέει κάθε προϊόν που σχεδιάζουμε.

Το Panorama 3 είναι ένα συνδεδεμένο σε δίκτυο, ασύρματο ενεργό ηχείο που παρέχει εξαιρετικά υψηλή απόδοση. Το Panorama 3 προορίζεται πρωτίστως για να διαμορφώνεται και να ελέγχεται με χρήση της εφαρμογής Bowers & Wilkins Music. Η εφαρμογή είναι διαθέσιμη για συσκευές με λειτουργικό σύστημα iOS και Android™. Ορισμένες λειτουργίες ελέγχου που χρησιμοποιούνται πιο συχνά είναι επίσης διαθέσιμες μέσω κρυφών κουμπιών, τα οποία εμφανίζονται όταν ανάβει η λυχνία τους, στο επάνω μέρος του Panorama 3. Η εγκατάσταση και η διαμόρφωση ενός Panorama 3 είναι δυνατή μόνο με χρήση της εφαρμογής Bowers & Wilkins Music.

Το Panorama 3 θα σας επιτρέψει να κάνετε τα εξής:

- Να ακούτε ήχο από τηλεοράσεις μέσω σύνδεσης HDMI® ARC/eARC.
- Να ακούτε ήχο από τηλεοράσεις μέσω οπτικής σύνδεσης ψηφιακού ήχου.
- Να ακούτε ήχο από υπηρεσίες ροής ήχου, όπως οι Tidal, Qobuz, Deezer, Spotify®, Apple Music και πολλές άλλες.
- Να ακούτε ήχο μέσω Bluetooth® από κατάλληλα διαμορφωμένες συσκευές πηγής Bluetooth.
- Να ακούτε ήχο που αναπαράγεται οπουδήποτε στο σπίτι σας, σε οποιαδήποτε συμβατό ασύρματο ηχείο Bowers & Wilkins που είναι συνδεδεμένο στο οικιακό σας δίκτυο.\*

Για να συνδέσετε το Panorama 3 στο οικιακό σας δίκτυο και για να πραγματοποιήσετε σύνδεση με άλλα προϊόντα στο σπίτι σας, απαιτείται η εφαρμογή Bowers & Wilkins Music. Η εφαρμογή Bowers & Wilkins Music παρέχει επίσης ορισμένες λειτουργίες ελέγχου και διαμόρφωσης κατά τη χρήση. Προτού αρχίσετε την εγκατάσταση του Panorama 3, κάντε λήψη και εγκατάσταση της εφαρμογής Bowers & Wilkins Music στη συσκευή σας με iOS ή Android. Η εφαρμογή Bowers & Wilkins Music χρειάζεται iOS 11.4 ή νεότερη έκδοση, ή Android 8.1 ή νεότερη έκδοση. Οι υπηρεσίες Bluetooth και WiFi πρέπει να είναι ενεργοποιημένες στη συσκευή σας με iOS ή Android. Θα πρέπει επίσης να γνωρίζετε τον κωδικό πρόσβασης του δικτύου WiFi.

*Σημείωση: Οι υπηρεσίες τοποθεσίας πρέπει να είναι ενεργοποιημένες στις συσκευές Android κατά τη διάρκεια της διαδικασίας ρύθμισης. Αυτό πρέπει να γίνεται επειδή τα συμβατά προϊόντα Bowers & Wilkins χρησιμοποιούν μια μορφή χαμηλής ισχύος του Bluetooth (BT-LE) για την επικοινωνία υπηρεσιών, η οποία ενεργοποιείται στις συσκευές Android μόνο όταν επιτρέπονται οι υπηρεσίες τοποθεσίας. Η Bowers & Wilkins δεν χρησιμοποιεί δεδομένα υπηρεσιών τοποθεσίας για σκοπούς μάρκετινγκ.*

\* Δυνατότητα που θα υποστηρίζεται το 2022

## 1. Περιεχόμενα συσκευασίας

Panorama 3  
Καλώδιο ρεύματος  
Καλώδιο HDMI  
Επιτοίχιο στήριγμα  
Συνοδευτικά έντυπα

## 2. Εγκατάσταση του Panorama 3

Το Panorama 3 έχει σχεδιαστεί για να λειτουργεί με την τηλεόρασή σας και, συνεπώς, πρέπει να βρίσκεται κοντά της. Όταν είναι συνδεδεμένο στην τηλεόραση, το Panorama 3 χρειάζεται τόσο σύνδεση HDMI όσο και παροχή ρεύματος για να λειτουργεί, οπότε πρέπει να βρίσκεται κοντά σε μια πρίζα ρεύματος και μια υποδοχή HDMI. Αν το Panorama 3 χρησιμοποιεί μια ενσύρματη σύνδεση με το οικιακό σας δίκτυο, θα πρέπει να βρίσκεται κοντά σε ένα κατάλληλο καλώδιο δικτύου (Ethernet).

Το Panorama 3 μπορεί να τοποθετηθεί σε ράφι, τραπέζι ή έπιπλο, ή μπορεί να τοποθετηθεί στον τοίχο με το ειδικό επιτοίχιο στήριγμα που συνοδεύει το Panorama 3. Αν αποφασίσετε να τοποθετήσετε το Panorama 3 σε ένα ράφι, βεβαιωθείτε ότι το ράφι μπορεί να υποστηρίξει εύκολα το βάρος. Η ηχητική απόδοση μπορεί να μειωθεί αν τα έπιπλα τοποθετήσης ή τα ράφια είναι σαθρά ή προκαλούν αντήχηση.

*Σημείωση: Αν το Panorama 3 θα τοποθετηθεί σε ένα επιτοίχιο στήριγμα, φροντίστε να εγκαταστήσετε το στήριγμα σύμφωνα με τις οδηγίες που το συνοδεύουν. Αν δεν είστε βέβαιοι για την καταλληλότητα ενός τοίχου ή για τις ικανότητές σας να εγκαταστήσετε το επιτοίχιο στήριγμα, θα πρέπει να ζητήσετε τη βοήθεια κάποιου ειδικού.*

Όπως ισχύει για τη μεγάλη πλειονότητα των ηχείων, το Panorama 3 εκπέμπει ηχητική ενέργεια όχι μόνο προς τα εμπρός, αλλά επίσης προς τα πάνω, προς το πλάι και προς τα πίσω. Κατά συνέπεια, αν το Panorama 3 τοποθετηθεί κοντά στους τοίχους του δωματίου και ειδικά σε μια γωνία, μπορεί να αναδεικνύονται υπερβολικά τα μπάσα. Αν διαπιστώσετε ότι τα μπάσα από το Panorama 3 αναδεικνύονται υπερβολικά, μπορεί να φανεί χρήσιμη η μετακίνησή του σε μια εναλλακτική θέση, ή μπορείτε να χαμηλώσετε τη στάθμη των μπάσων μέσω του μενού ρυθμίσεων της εφαρμογής Bowers & Wilkins Music.

## 2.1 Συνδέσεις

Εκτός από την υποδοχή ρεύματος, το ηχείο Panorama 3 διαθέτει σύνδεση HDMI ARC/eARC, οπτική σύνδεση ήχου και σύνδεση USB-C για σέρβις. Μπορείτε να συνδέσετε το Panorama 3 μέσω ενσύρματης σύνδεσης (Ethernet) χρησιμοποιώντας τη θύρα Ethernet.

Η συνιστώμενη κύρια σύνδεση σε μια τηλεόραση είναι μέσω σύνδεσης HDMI και συνιστούμε να συνδέσετε το Panorama 3 στην υποδοχή ARC της τηλεόρασης. Αν η τηλεόραση δεν διαθέτει σύνδεση HDMI που υποστηρίζει ARC ή eARC, τότε μπορείτε να συνδέσετε το Panorama 3 στην τηλεόραση μέσω της οπτικής σύνδεσης ψηφιακού ήχου.

*Σημείωση: Για να διασφαλίσετε την καλύτερη δυνατή λειτουργικότητα και απόδοση του Panorama 3 όταν λειτουργεί με την τηλεόραση, συνιστούμε να ενεργοποιήσετε τις δυνατότητες ARC (και eARC αν είναι διαθέσιμη στην τηλεόραση) και CEC. Αυτές οι δυνατότητες ενεργοποιούνται με διαφορετικό τρόπο σε κάθε μάρκα τηλεόρασης, οπότε συνιστούμε να ανατρέξετε στο εγχειρίδιο της τηλεόρασης για περισσότερες πληροφορίες. Συνιστούμε επίσης να ρυθμίσετε την τηλεόραση σε λειτουργία διέλευσης ή παράκαμψης, για να απολαύσετε την καλύτερη δυνατή ηχητική απόδοση κατά την αναπαραγωγή περιεχομένου που υποστηρίζει Dolby® Atmos® από άλλες συσκευές που είναι συνδεδεμένες στην τηλεόραση.*

## 2.2 Αρχική σύνδεση

Αφού γίνουν όλες οι συνδέσεις και εγκατασταθεί στη φορητή συσκευή σας η εφαρμογή Bowers & Wilkins Music και αφού διαμορφώσετε την τηλεόραση ώστε να λειτουργεί με την επιλεγμένη μέθοδο σύνδεσης, το Panorama 3 είναι έτοιμο για ρύθμιση.

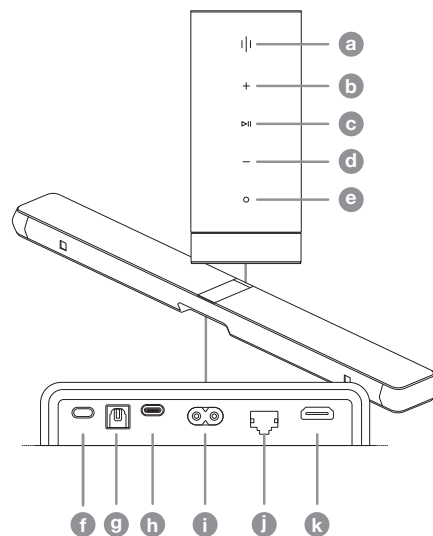
Το Panorama 3 δεν διαθέτει διακόπτη λειτουργίας και, αφού συνδεθεί στην παροχή ρεύματος, θα εκτελέσει μια σύντομη ρουτίνα εκκίνησης προτού είναι έτοιμο για χρήση. Η ρουτίνα εκκίνησης περιλαμβάνει την εκκίνηση του ηχείου, τη σύνδεση στο δίκτυο και την πραγματοποίηση σύνδεσης με τυχόν υπηρέσιες ροές ήχου, συνεπώς, μπορεί να χρειαστεί λίγος χρόνος για να ολοκληρωθεί. Κατά τη διάρκεια αυτού του χρονικού διαστήματος, το κουμπί πολλαπλών λειτουργιών θα αναβοσβήνει με λευκό χρώμα κατά την εκκίνηση και με πορτοκαλί χρώμα όταν πραγματοποιείται σύνδεση στο δίκτυο. Όταν ολοκληρωθεί η ρουτίνα εκκίνησης, θα ακουστεί ένα ηχητικό σήμα.

Όταν ένα Panorama 3 που δεν έχει χρησιμοποιηθεί προηγουμένως ενεργοποιηθεί για πρώτη φορά, θα εισέλθει αυτόματα στη λειτουργία ρύθμισης για να ενεργοποιήσει τη σύνδεσή του με το οικιακό σας δίκτυο. Η λειτουργία ρύθμισης υποδεικνύεται από έναν αργό παλμικό φωτισμό του κουμπιού πολλαπλών λειτουργιών με πορτοκαλί χρώμα (ανατρέξτε στο διάγραμμα 1). Το Panorama 3 θα εμφανίζεται επίσης στην εφαρμογή Bowers & Wilkins Music ως διαθέσιμο για ρύθμιση, είτε ως αναδυόμενο παράθυρο είτε αφού επιλέξετε «Add Product» (Προσθήκη προϊόντος) από τη σελίδα ρυθμίσεων της εφαρμογής.

Το Panorama 3 διαχειρίζεται την κατάσταση λειτουργίας και την κατανάλωση ενέργειάς του εντελώς αυτόματα και θα μεταβεί σε λειτουργία εξοικονόμησης ενέργειας μετά από είκοσι λεπτά αδράνειας. Δεν χρειάζεται να απενεργοποιήσετε ποτέ το Panorama 3, ωστόσο, αν θέλετε να το κάνετε, απλά αποσυνδέστε το από την παροχή ρεύματος. Το Panorama 3 θα διατηρήσει τις ρυθμίσεις του χωρίς παροχή ρεύματος.

## 3. Επανεκκίνηση

Μπορείτε να επανεκκινήσετε ένα ηχείο Panorama 3 πατώντας για λίγο και αφήνοντας το κουμπί επαναφοράς που βρίσκεται στο πίσω μέρος του (ανατρέξτε στο διάγραμμα 1). Με το πάτημα του κουμπιού, το Panorama 3 θα απενεργοποιηθεί και θα ενεργοποιηθεί ξανά. Όλες οι ρυθμίσεις διατηρούνται όταν επανεκκινείτε το Panorama 3. Μπορείτε επίσης να επανεκκινήσετε το Panorama 3 μέσω της σελίδας ρυθμίσεων της εφαρμογής Bowers & Wilkins Music.



Διάγραμμα 1

Πίνακας ελέγχου και σύνδεσμοι του Panorama 3

## 4. Επαναφορά εργοστασιακών ρυθμίσεων

Αν θέλετε να επαναφέρετε το Panorama 3 στις εργοστασιακές του προεπιλεγμένες ρυθμίσεις, κρατήστε πατημένο το κουμπί επαναφοράς για πέντε δευτερόλεπτα. Μπορείτε να δείτε τη θέση του κουμπιού επαναφοράς στο διάγραμμα 1. Η διαδικασία επαναφοράς υποδεικνύεται από τον φωτισμό του κουμπιού πολλαπλών λειτουργιών με κόκκινο χρώμα και ένα ηχητικό σήμα. Αυτή η διαδικασία θα απενεργοποιήσει το Panorama 3. Αφού επανεκκινήθει, το Panorama 3 θα εισέλθει στη λειτουργία ρύθμισης. Όλες οι ρυθμίσεις διαγράφονται όταν επαναφέρετε το Panorama 3. Μπορείτε επίσης να επαναφέρετε το Panorama 3 μέσω του μενού ρυθμίσεων της εφαρμογής Bowers & Wilkins Music.

## 5. Ρύθμιση σε δίκτυο

Με το Panorama 3 στη λειτουργία ρύθμισης και με το κουμπί πολλαπλών λειτουργιών του να αναβοσβήνει αργά με πορτοκαλί χρώμα, εκκινήστε την εφαρμογή Bowers & Wilkins Music στη συσκευή σας με iOS ή Android. Η εφαρμογή θα σας καθοδηγήσει με μηνύματα προτροπής στη διαδικασία ρύθμισης.

*Σημείωση: Το Panorama 3 χρησιμοποιεί σύνδεση Bluetooth με τη συσκευή που εκτελεί την εφαρμογή Bowers & Wilkins Music κατά τη διάρκεια της διαδικασίας ρύθμισης. Τα σήματα Bluetooth έχουν σχετικά μικρή εμβέλεια και μπορούν να εμποδιστούν από τους τοίχους των δωματίων, οπότε συνιστούμε το Panorama 3 και η συσκευή με την εφαρμογή Bowers & Wilkins Music να παραμένουν κοντά στο προϊόν κατά τη διάρκεια της διαδικασίας ρύθμισης.*

Για να χρησιμοποιήσετε την εφαρμογή Bowers & Wilkins Music, απαιτείται να δημιουργήσετε έναν λογαριασμό χρήστη. Την πρώτη φορά που θα κάνετε λήψη της εφαρμογής, θα σας ζητηθεί να συνδεθείτε στον λογαριασμό σας, αν διαθέτετε ήδη έναν, ή να δημιουργήσετε έναν λογαριασμό. Θα πρέπει να εισάγετε ένα όνομα χρήστη και έναν κωδικό πρόσβασης. Μπορείτε επίσης να τροποποιήσετε τις ειδοποιήσεις για τον λογαριασμό σας πριν από τη ρύθμιση. Αφού δημιουργήσετε έναν λογαριασμό, θα πρέπει να επικυρώσετε τη διεύθυνση ηλεκτρονικού ταχυδρομείου κάνοντας κλικ στον σύνδεσμο που θα έχει σταλεί στη διεύθυνση ηλεκτρονικού ταχυδρομείου σας.

Η εφαρμογή Bowers & Wilkins Music θα αναζητήσει πρώτα τυχόν προϊόντα σε λειτουργία ρύθμισης και, στη συνέχεια, θα σας ζητήσει αυτόματα να ξεκινήσετε τη διαδικασία ρύθμισης. Εναλλακτικά, μπορείτε να ρυθμίσετε ένα νέο προϊόν από το μενού ρυθμίσεων επιλέγοντας «Add product» (Προσθήκη προϊόντος) στην ενότητα «Your devices» (Οι συσκευές σας).

### Κουμπί / Σύνδεσμοι

- a** Κουμπί πολλαπλών λειτουργιών
- b** Αύξηση έντασης
- c** Αναπαραγωγή/Παύση
- d** Μείωση έντασης
- e** Φωνητικός βοηθός
- f** Επαναφορά
- g** Ψηφιακή είσοδος
- h** Σέρβις
- i** Κουμπί λειτουργίας
- j** Ethernet
- k** HDMI (ARC/eARC)

Η διαδικασία ρύθμισης στην εφαρμογή Bowers & Wilkins Music θα σας ζητήσει να ονομάσετε τον «χώρο» στον οποίο θα χρησιμοποιηθεί το Panorama 3. Παρέχεται μια λίστα προτεινόμενων ονομάτων χώρων, αλλά μπορείτε επίσης να δημιουργήσετε το δικό σας. Αφού επιλέξετε ή δημιουργήσετε ένα όνομα χώρου, η εφαρμογή θα σας ζητήσει να πατήσετε το κουμπί πολλαπλών λειτουργιών στο επάνω μέρος του Panorama 3 για να επιβεβαιώσετε την επιλογή.

Αν θα χρησιμοποιηθεί μια ασύρματη σύνδεση δικτύου για το Panorama 3, το επόμενο στάδιο της διαδικασίας ρύθμισης είναι η σύνδεση του Panorama 3 στο οικιακό σας δίκτυο WiFi. Η εφαρμογή θα σας ζητήσει να επιβεβαιώσετε το σωστό δίκτυο WiFi και θα σας ζητήσει να εισάγετε τον κωδικό πρόσβασης του. Εναλλακτικά, αν συνδέσετε το Panorama 3 στον δρομολογητή δικτύου σας χρησιμοποιώντας ένα καλώδιο Ethernet, αυτό το στάδιο της διαδικασίας ρύθμισης θα παρακαμφθεί.

*Σημείωση: Αν έχετε συνδέσει ήδη άλλα συμβατά προϊόντα Bowers & Wilkins στο δίκτυο WiFi, δεν θα χρειαστεί να εισάγετε τον κωδικό πρόσβασης του δικτύου WiFi για το Panorama 3, καθώς αυτός θα κοινοποιηθεί με ασφάλεια μέσω της λειτουργίας γρήγορης σύνδεσης.*

Αφού ολοκληρωθεί η διαμόρφωση του δικτύου WiFi και η επιλογή χώρου, θα πρέπει να διαμορφώσετε την υποδοχή εισόδου που έχετε επιλέξει για τη σύνδεση στην τηλεόραση. Η εφαρμογή θα σας καθοδηγήσει στη διαδικασία ρύθμισης της τηλεόρασης. Αν έχετε συνδέσει την τηλεόραση μέσω της υποδοχής HDMI ARC/eARC, η εφαρμογή Bowers & Wilkins Music θα σας δείξει πώς να συνδέσετε το Panorama 3 στην τηλεόραση και να ενεργοποιήσετε τη δυνατότητα CEC. Αυτή η δυνατότητα σας επιτρέπει να ελέγχετε τον ήχο στο Panorama 3 με το τηλεχειριστήριο της τηλεόρασης ή του αποκωδικοποιητή σας. Αν έχετε συνδέσει την τηλεόραση μέσω της οπτικής υποδοχής, η εφαρμογή Bowers & Wilkins Music θα σας δείξει πώς να συνδέσετε το Panorama 3 στην τηλεόραση και να απενεργοποιήσετε τα εσωτερικά ηχεία της τηλεόρασης. Στη συνέχεια, θα ερωτηθείτε αν θέλετε το Panorama 3 να κμάθει τις εντολές υπερύθρων του τηλεχειριστηρίου της τηλεόρασης, ώστε να ελέγχετε το Panorama 3 με αυτό το τηλεχειριστήριο.

*Σημείωση: Αν το Panorama 3 δεν λαμβάνει εντολές υπερύθρων κατά τη διάρκεια της διαδικασίας ρύθμισης, ενδέχεται να χρειαστεί να ενεργοποιήσετε την υποστήριξη υπερύθρων για εξωτερικές συσκευές στην τηλεόραση. Για περισσότερες πληροφορίες, ανατρέξτε στο εγχειρίδιο της τηλεόρασης.*

## 6. Αυτόνομη ρύθμιση Bluetooth

Μπορείτε να χρησιμοποιήσετε το Panorama 3 μέσω Bluetooth, χωρίς να χρειάζεται να συνδέσετε το προϊόν σε ένα δίκτυο. Με το Panorama 3 στη λειτουργία ρύθμισης – η οποία υποδεικνύεται από το κουμπί πολλαπλών λειτουργιών που αναβοσβήνει αργά με πορτοκαλί χρώμα – κρατήστε πατημένο το κουμπί πολλαπλών λειτουργιών για 5 δευτερόλεπτα. Το Panorama 3 θα αναπαράγει ένα ηχητικό σήμα και το κουμπί πολλαπλών λειτουργιών θα αναβοσβήνει με μπλε χρώμα. Αυτό υποδεικνύει ότι το Panorama 3 βρίσκεται στη λειτουργία σύζευξης Bluetooth και μπορείτε να συνδεθείτε σε αυτό μέσω του μενού Bluetooth της συσκευής πηγής σας. Το Panorama 3 θα είναι διαθέσιμο στο μενού Bluetooth με το όνομα «Panorama 3».

*Σημείωση: Σε αυτή τη διαμόρφωση, το προϊόν δεν μπορεί να ρυθμιστεί πλέον σε ένα δίκτυο. Για να συνδέσετε το Panorama 3 σε ένα δίκτυο όταν βρίσκεται σε αυτόνομη λειτουργία Bluetooth, θα πρέπει να εκτελέσετε επαναφορά εργοστασιακών ρυθμίσεων του προϊόντος μέσω του κουμπιού επαναφοράς στο πίσω μέρος του προϊόντος (ανατρέξτε στην ενότητα 4).*

Το Panorama 3 μπορεί να συζευχθεί με πολλαπλές συσκευές, κρατώντας πατημένο το κουμπί πολλαπλών λειτουργιών για 5 δευτερόλεπτα ώστε να εισέλθει στη λειτουργία σύζευξης. Το Panorama 3 μπορεί να υποστηρίξει σύζευξη με έως και οχτώ συσκευές.

*Σημείωση: Το Panorama 3 παραμένει στη λειτουργία σύζευξης για 2 λεπτά και εξέρχεται αυτόματα από αυτή, αν δεν συζευχθεί καμία συσκευή εντός αυτού του χρονικού διαστήματος. Για να εισέλθει ξανά στη λειτουργία σύζευξης, κρατήστε πατημένο το κουμπί πολλαπλών λειτουργιών.*

## 7. Χρήση του Panorama 3

### 7.1 Χώροι

Οι χώροι είναι μια βασική έννοια της εφαρμογής Bowers & Wilkins Music και των συμβατών προϊόντων. Ο «χώρος» είναι ένα δωμάτιο ή ένα συγκεκριμένο μέρος στο σπίτι σας, στο οποίο ακούτε μουσική. Δεν μπορείτε να χρησιμοποιήσετε το Panorama 3 με οποιαδήποτε άλλη συσκευή στον ίδιο χώρο.

### 7.2 Υποστήριξη Dolby

Το Panorama 3 υποστηρίζει ήχο Dolby Digital στις παρακάτω μορφές:

- Dolby Digital
- Dolby Digital Plus™
- Dolby Atmos
- Dolby TrueHD

Για όλες αυτές τις μορφές ήχου, το Panorama 3 βελτιστοποιεί αυτόματα την αναπαραγωγή και παρέχει την καλύτερη δυνατή ηχητική απόδοση.

### 7.3 Συνεχής ροή μουσικής

Μπορείτε να χρησιμοποιήσετε το Panorama 3 για να αναπαράγετε ήχο από υπηρεσίες ροής ήχου, όπως οι Spotify, Apple Music, Qobuz και Tidal. Μπορείτε να πραγματοποιήσετε ροή ήχου απευθείας από την εφαρμογή Bowers & Wilkins Music, το Spotify Connect®, το AirPlay® 2 ή μέσω Bluetooth.

### 7.4 Αναπαραγωγή ήχου μέσω της εφαρμογής Bowers & Wilkins Music

Αφού συνδέσετε το προϊόν σας και ενεργοποιήσετε μια υπηρεσία ροής μουσικής στην εφαρμογή Bowers & Wilkins Music, μπορείτε να περιηγηθείτε στη μουσική από την υπηρεσία ροής σας. Αφού επιλέξετε το κομμάτι που θέλετε να αναπαράγετε, απλά κάντε κλικ στο κουμπί αναπαραγωγής. Αν έχετε μόνο έναν χώρο, η μουσική αναπαράγεται αυτόματα σε αυτόν τον χώρο. Αν έχετε πολλαπλούς χώρους, όταν κάνετε κλικ στο κουμπί αναπαραγωγής θα εμφανιστεί μια λίστα των διαθέσιμων χώρων στο σπίτι σας και, όταν επιλέξετε έναν χώρο, ο ήχος θα αναπαραχθεί στον επιλεγμένο χώρο.

### 7.5 Αναπαραγωγή ήχου μέσω του Spotify Connect

Χρησιμοποιήστε το τηλέφωνο, το tablet ή τον υπολογιστή σας ως τηλεχειριστήριο για το Spotify. Μεταβείτε στη διεύθυνση <https://www.spotify.com/connect> για να μάθετε πώς μπορείτε να το κάνετε.

### 7.6 Αναπαραγωγή ήχου μέσω του AirPlay

Το AirPlay επιτρέπει σε εφαρμογές που είναι εγκατεστημένες σε φορητές συσκευές, φορητούς υπολογιστές ή επιτραπέζιους υπολογιστές της Apple να αναπαράγουν ροή ήχου μέσω δικτύου σε οποιαδήποτε ηχεία είναι συμβατά με AirPlay, όπως το Panorama 3. Οι εφαρμογές που υποστηρίζουν AirPlay θα διαθέτουν το εικονίδιο AirPlay.

Για να χρησιμοποιήσετε το AirPlay, ανοίξτε την εφαρμογή που θέλετε να χρησιμοποιήσετε και επιλέξτε το περιεχόμενο που θέλετε να αναπαράγετε. Πατήστε το εικονίδιο AirPlay για να εμφανίσετε μια λίστα των διαθέσιμων συσκευών και ακολουθήστε το όνομα του χώρου που θέλετε να χρησιμοποιήσετε.

## 7.7 Αναπαραγωγή ήχου μέσω Bluetooth

Το Bluetooth επιτρέπει σε εφαρμογές ήχου που είναι εγκατεστημένες σε φορητές συσκευές, φορητούς υπολογιστές ή επιτραπέζιους υπολογιστές να αναπαράγουν ροές μέσω ασύρματης σύνδεσης στο Panorama 3.

Για να χρησιμοποιήσετε το Bluetooth, πρέπει πρώτα να συζευχτείτε τη συσκευή σας με το Panorama 3. Στην εφαρμογή Bowers & Wilkins Music, επιλέξτε τις ρυθμίσεις και, στη συνέχεια, επιλέξτε τον χώρο που περιέχει τη συσκευή με την οποία θέλετε να το συζευχτείτε. Αν επιλέξετε «Pair new device» (Σύζευξη νέας συσκευής), το Panorama 3 θα εισέλθει στη λειτουργία σύζευξης Bluetooth. Μεταβείτε στο μενού Bluetooth της συσκευής σας και συζευχτείτε τη με το Panorama 3. Το Panorama 3 θα χρησιμοποιήσει το όνομα χώρου στο μενού σύζευξης Bluetooth. Αφού συζευχθεί, μπορείτε να αναπαράγετε ήχο μέσω οποιασδήποτε εφαρμογής στη συσκευή πηγής σας. Μπορείτε να δείτε μια λίστα των συσκευών που έχουν συζευχθεί με το Panorama 3 στην εφαρμογή Bowers & Wilkins Music.

*Σημείωση: Το Panorama 3 παραμένει στη λειτουργία σύζευξης για 2 λεπτά και εξέρχεται αυτόματα από αυτή, αν δεν συζευχθεί καμία συσκευή εντός αυτού του χρονικού διαστήματος. Για να εισέλθει ξανά στη λειτουργία σύζευξης, επαναλάβετε τα παραπάνω βήματα.*

## 8. Εφαρμογή Bowers & Wilkins Music

Η εφαρμογή Bowers & Wilkins Music ανοίγει στην κύρια σελίδα. Στο κάτω μέρος της σελίδας υπάρχουν τέσσερα εικονίδια πλοήγησης για τις κύριες ενότητες της εφαρμογής: περιήγηση, βιβλιοθήκη, αναζήτηση και ρυθμίσεις. Το εικονίδιο που εμφανίζεται με κίτρινο χρώμα υποδεικνύει τη σελίδα στην οποία βρίσκεστε.

### 8.1 Περιήγηση

Το περιεχόμενο στη σελίδα περιήγησης της εφαρμογής Bowers & Wilkins Music είναι χωρισμένο σε πολλαπλές σειρές, σε μια προβολή κορδέλας, στην οποία μπορείτε να κάνετε αναζήτηση σύροντας προς τα δεξιά και προς τα αριστερά. Η σελίδα περιήγησης εμφανίζει συνιστώμενες λίστες αναπαραγωγής που δημιουργούνται με βάση το μουσικό σας γούστο, τη μουσική που έχετε αναπαράγει πρόσφατα και ορισμένες λίστες αναπαραγωγής που συνιστώνται από τη Bowers & Wilkins. Μπορείτε επίσης να κάνετε κλικ προς τα κάτω και να περιηγηθείτε σε μουσική από οποιαδήποτε συγκεκριμένη υπηρεσία ροής ήχου έχετε συνδέσει με την εφαρμογή σας.

*Σημείωση: Οι συστάσεις βασίζονται στα είδη, τους καλλιτέχνες, τα άλμπουμ και τα κομμάτια που δηλώνετε ότι σας αρέσουν. Για να δηλώσετε ότι σας αρέσει οποιοδήποτε περιεχόμενο, απλά κάντε κλικ στο σύμβολο καρδιάς. Όσο περισσότερο περιεχόμενο δηλώνετε ότι σας αρέσει, τόσο καλύτερες θα είναι οι συστάσεις. Οι συστάσεις σας παραμένουν αποθηκευμένες στον λογαριασμό Bowers & Wilkins και δεν συνδέονται με την υπηρεσία ροής μουσικής σας.*

### 8.2 Βιβλιοθήκη

Η σελίδα βιβλιοθήκης ομαδοποιεί όλο το περιεχόμενο που έχετε δηλώσει ότι σας αρέσει, είτε στην εφαρμογή Bowers & Wilkins Music είτε σε οποιαδήποτε από τις υπηρεσίες ροής ήχου σας. Εδώ μπορείτε να αναζητήσετε περιεχόμενο μουσικής, podcast και ραδιοφώνου. Αν δηλώσατε ότι σας αρέσει περιεχόμενο σε μια ειδική εφαρμογή υπηρεσίας ροής ήχου, ενδέχεται να μην εμφανίζεται αμέσως στη βιβλιοθήκη της εφαρμογής Bowers & Wilkins Music.

### 8.3 Αναζήτηση

Μπορείτε να αναζητήσετε οποιοδήποτε περιεχόμενο μουσικής μέσω της λειτουργίας αναζήτησης στην εφαρμογή Bowers & Wilkins Music. Η εφαρμογή θα αναζητήσει αποτελέσματα σε όλες τις συνδεδεμένες υπηρεσίες ροής ήχου σας.

## 8.4 Ρυθμίσεις

Η σελίδα ρυθμίσεων σας επιτρέπει να διαμορφώσετε πολλαπλά προϊόντα μέσα στο σπίτι σας. Η σελίδα ρυθμίσεων χωρίζεται σε διαφορετικές ενότητες:

- **Your Spaces** (Οι χώροι σας)  
Αυτή η ενότητα εμφανίζει όλους τους χώρους στο σπίτι σας και από εδώ μπορείτε να διαμορφώσετε μεμονωμένες συσκευές.
- **Your Account** (Ο λογαριασμός σας)  
Αυτή η ενότητα σας επιτρέπει να τροποποιήσετε τα στοιχεία λογαριασμού σας και να συνδέσετε οποιοσδήποτε υπηρεσίες μουσικής με την εφαρμογή σας.
- **Your Products** (Τα προϊόντα σας)  
Εδώ μπορείτε να εφαρμόσετε τυχόν ενημερώσεις που είναι διαθέσιμες για οποιοδήποτε από τα προϊόντα στο σπίτι σας.

## 8.5 Σύνδεση υπηρεσιών ροής ήχου

Η εφαρμογή Bowers & Wilkins Music σας επιτρέπει να επιλέξετε και να αναπαράγετε μουσική από διάφορες υπηρεσίες ροής ήχου, όπως οι Qobuz, Tidal, Deezer και πολλές άλλες. Για να το κάνετε αυτό, η εφαρμογή Bowers & Wilkins Music πρέπει να συνδεθεί με την υπηρεσία ροής μουσικής σας. Αυτό μπορεί να γίνει στις ρυθμίσεις, μέσω του κουμπιού «Link Services» (Σύνδεση υπηρεσιών) στην ενότητα «Your Account» (Ο λογαριασμός σας). Απλά πατήστε το κουμπί και ακολουθήστε τις οδηγίες στην οθόνη.

## 8.6 Προβολή προγράμματος αναπαραγωγής

Όταν αναπαράγεται ήχος στο Panorama 3, μπορείτε να ελέγξετε την ένταση του ήχου, να επιλέξετε αναπαραγωγή/παύση του ήχου, να μεταπηδήσετε προς τα εμπρός και να μεταπηδήσετε προς τα πίσω. Μπορείτε να ελαχιστοποιήσετε την προβολή προγράμματος αναπαραγωγής πατώντας το κάτω βέλος στο επάνω αριστερό μέρος της οθόνης. Με ελάττω τον τρόπο, η προβολή προγράμματος αναπαραγωγής ελαχιστοποιείται στο κάτω μέρος της κύριας οθόνης. Μπορείτε να τη μεγιστοποιήσετε οποιαδήποτε στιγμή, πατώντας τη μίνι προβολή προγράμματος αναπαραγωγής.

## 9. Ενημέρωση λογισμικού

Το Panorama 3 είναι ένα συνδεδεμένο σε δίκτυο ηχείο και, επομένως, μπορούν να γίνουν βελτιώσεις στην αξιοπιστία και να ενεργοποιηθούν νέες λειτουργίες και δυνατότητες μέσω ενημερώσεων λογισμικού. Όταν είναι διαθέσιμη μια ενημέρωση λογισμικού για οποιοδήποτε προϊόν στο δίκτυο, εμφανίζεται μια ετικέτα στο εικονίδιο ρυθμίσεων. Αν μεταβείτε στη σελίδα ρυθμίσεων, θα εμφανίζεται η διαθέσιμη ενημέρωση. Αν την πατήσετε, θα εφαρμοστεί μια ενημέρωση για όλα τα προϊόντα στο δίκτυο που απαιτούν ενημέρωση.

## 10. Προσαρμογές στον ήχο

Η θέση τοποθέτησης οποιοσδήποτε ηχείου μπορεί να επηρεάσει τον ήχο. Η τοποθέτηση ενός ηχείου κοντά σε έναν τοίχο μπορεί να αναδεικνύει υπερβολικά τα μπάσα και, αν το ηχείο δεν είναι στραμμένο προς το μέρος σας, μπορεί να μειωθεί η απόδοση των υψηλών συχνοτήτων. Συνεπώς, μπορείτε να προσαρμόσετε τις ρυθμίσεις μπάσων και πρίμων του Panorama 3 για να έχετε μεγαλύτερη ευελιξία όσον αφορά την τοποθέτηση μέσα στο δωμάτιο. Για να προσπελάσετε αυτές τις ρυθμίσεις, επιλέξτε τις ρυθμίσεις και μετά το όνομα του χώρου με το προϊόν που θέλετε να προσαρμόσετε και, στη συνέχεια, επιλέξτε τη συσκευή. Μπορείτε κατόπιν να προσαρμόσετε τα μπάσα και τα πρίμα από -6 dB έως +6 dB. Οι ρυθμίσεις αποθηκεύονται από το Panorama 3 όταν αποσυνδέεται από την παροχή ρεύματος, αλλά διαγράφονται μετά από επαναφορά εργοστασιακών ρυθμίσεων.

## 11. Amazon Alexa

Το Panorama 3 είναι ένα έξυπνο ηχείο, με ενσωματωμένο τον φωνητικό βοηθό Amazon Alexa. Για να ενεργοποιήσετε αυτή

τη δυνατότητα, μεταβείτε στη σελίδα ρυθμίσεων επιπέδου συσκευής στην εφαρμογή Bowers & Wilkins Music. Επιλέξτε τις ρυθμίσεις και, στη συνέχεια, επιλέξτε τον χώρο που περιέχει το Panorama 3 στο οποίο θέλετε να ενεργοποιήσετε τον φωνητικό βοηθό. Στη συνέχεια, επιλέξτε τη συσκευή. Θα εμφανιστεί η σελίδα ρυθμίσεων συσκευής. Μπορείτε να ενεργοποιήσετε το Amazon Alexa εδώ, συνδέοντας τον δικό σας λογαριασμό Amazon: απλά κάντε κλικ στον σύνδεσμο και ακολουθήστε τις οδηγίες. Μπορείτε να αποσυνδέσετε το Panorama 3 από τον δικό σας λογαριασμό Alexa οποιαδήποτε στιγμή.

Για να μιλήσετε στην Alexa, απλά πείτε τη λέξη ενεργοποίησης «Alexa» ή πατήστε το κουμπί φωνητικού βοηθού στο Panorama 3. Με το παρατεταμένο πάτημα του κουμπιού φωνητικού βοηθού, πραγματοποιείται σίγαση του μικροφώνου της υπηρεσίας Alexa.

## 12. Χειριστήρια του Panorama 3

Το Panorama 3 διαθέτει κουμπιά στο άνω πίσω μέρος του, τα οποία παρέχουν έλεγχο αναπαραγωγής/παύσης, ρύθμιση έντασης ήχου και φωνητικό βοηθό – ανατρέξτε στο διάγραμμα 1.

Με το πάτημα του κουμπιού αναπαραγωγής/παύσης, διακόπτεται και ξαναρχίζει εναλλακτικά η αναπαραγωγή ήχου.

Με το πάτημα του κουμπιού αύξησης έντασης (+) ή μείωσης έντασης (-), ρυθμίζεται η ένταση ήχου οποιοσδήποτε περιεχομένου ήχου αναπαράγεται. Με το παρατεταμένο πάτημα των κουμπιών + και -, αυξάνεται ή μειώνεται συνεχώς η ένταση του ήχου.

Με το πάτημα του κουμπιού πολλαπλών λειτουργιών, γίνεται κυκλική εναλλαγή και αναπαραγωγή των ενεργών ροών και πηγών που είναι διαθέσιμες στο Panorama 3. Ο φωτισμός του κουμπιού πολλαπλών λειτουργιών στο Panorama 3 αλλάζει, για να υποδείξει διάφορες καταστάσεις λειτουργίας. Ο φωτισμός περιγράφεται στο διάγραμμα 2.

Με το πάτημα του κουμπιού φωνητικού βοηθού, μπορείτε να μιλήσετε στον φωνητικό βοηθό χωρίς να χρειάζεται να πείτε τη λέξη ενεργοποίησης. Για αυτή τη λειτουργικότητα, απαιτείται να είναι ενεργοποιημένη στο Panorama 3 μια φωνητική υπηρεσία.

## 13. Καθαρισμός

Σε περίπτωση που το Panorama 3 πρέπει να καθαριστεί, μπορείτε να σκουπίσετε την επάνω επιφάνειά του με ένα καθαρό πανί που δεν αφήνει χνούδι και να καθαρίσετε τη γρίλια του με μια μαλακή βούρτσα. Αν θέλετε να χρησιμοποιήσετε οποιοδήποτε υγρό καθαρισμού, απλώστε το στο πανί καθαρισμού και όχι κατευθείαν επάνω στο Panorama 3. Δοκιμάστε πρώτα σε μια μικρή περιοχή, καθώς κάποια προϊόντα καθαρισμού ενδέχεται να προκαλέσουν ζημιά σε ορισμένες από τις επιφάνειες. Αποφύγετε τα αποξεστικά προϊόντα ή τα προϊόντα που περιέχουν οξειδωτικούς, αλκαλικούς ή αντιβακτηριακούς παράγοντες.










## 14. Υποστήριξη

Αν χρειαστείτε περισσότερη βοήθεια ή συμβουλές σχετικά με το προϊόν σας, επισκεφτείτε την τοποθεσία υποστήριξης στη διεύθυνση: [www.bowerswilkins.com/support](http://www.bowerswilkins.com/support).

## 15. Πληροφορίες σχετικά με το περιβάλλον

Αυτό το προϊόν διαχειρίζεται αυτόματα την κατάσταση λειτουργίας του, χωρίς να χρειάζεται οποιαδήποτε αλληλεπίδραση. Όταν είναι συνδεδεμένο σε ένα δίκτυο και δεν χρησιμοποιείται, η κατανάλωση ενέργειας του μειώνεται αυτόματα σε χαμηλότερη από 2 Watt.

Αυτό το προϊόν πληροί τις διεθνείς οδηγίες, στις οποίες συγκαταλέγονται, χωρίς περιορισμούς, η οδηγία Restriction of Hazardous Substances (RoHS - Περιορισμός στη χρήση επικίνδυνων ουσιών) για ηλεκτρικό και ηλεκτρονικό εξοπλισμό, η οδηγία Registration, Evaluation, Authorisation and restriction of Chemicals (REACH - Καταχώριση, αξιολόγηση, αδειοδότηση και περιορισμοί των χημικών προϊόντων) και η οδηγία σχετικά με την απόρριψη Waste Electrical and Electronic Equipment (WEEE - Απόβλητα ηλεκτρικού και ηλεκτρονικού εξοπλισμού). Για οδηγίες σχετικά με τους τρόπους σωστής ανακύκλωσης ή απόρριψης αυτού του προϊόντος, συμβουλευτείτε την τοπική αρχή απόρριψης αποβλήτων.

Φωτισμός	Κατάσταση λειτουργίας
Αναβοσβήνει με λευκό χρώμα	 Εκκίνηση σε εξέλιξη
Αναβοσβήνει αργά με πορτοκαλί χρώμα	 Έτοιμο για ρύθμιση
Αναβοσβήνει με πορτοκαλί χρώμα	 Ενημέρωση υλικολογισμικού σε εξέλιξη
Αναβοσβήνει αργά με λευκό χρώμα	 Λήψη ήχου σε εξέλιξη
Αναβοσβήνει αργά με κόκκινο χρώμα	 Σφάλμα - επικοινωνήστε με το τμήμα υποστήριξης
Ανάβει σταθερά με κόκκινο χρώμα	 Σφάλμα - επικοινωνήστε με το τμήμα υποστήριξης
Αναβοσβήνει με κόκκινο χρώμα	 Επαναφορά εργοστασιακών ρυθμίσεων σε εξέλιξη
Αναβοσβήνει με μπλε χρώμα	 Λειτουργία σύζευξης Bluetooth
Ανάβει σταθερά με μπλε χρώμα	 Πραγματοποιήθηκε σύνδεση μέσω Bluetooth

Διάγραμμα 2

Φωτισμός ενδεικτικής λυχνίας κουμπιού πολλαπλών λειτουργιών



## Προδιαγραφές

Τεχνικά χαρακτηριστικά	Συμβατό με την εφαρμογή Bowers & Wilkins Music Apple AirPlay 2 Spotify Connect Bluetooth Συμβατό με Alexa Dolby TrueHD Discrete Dolby Atmos 3.1.2 HDMI eARC
Υποστηριζόμενες μορφές ήχου	Dolby Atmos Dolby Digital True HD Dolby Digital Plus LPCM
Bluetooth	5.0, κατηγορία 2
Codec για Bluetooth	aptX™ Adaptive AAC SBC
Συμβατότητα με AirPlay 2	iPhone, iPad και iPod touch με iOS 11.4 ή νεότερη έκδοση, Apple TV 4K ή Apple TV (4ης γενιάς) με tvOS 11.4 ή νεότερη έκδοση, Mac ή υπολογιστής με iTunes 12.8 ή νεότερη έκδοση
Έξοδος ισχύος ενισχυτή	400 W
Μονάδες οδήγησης	3 τούιτερ 19 mm (0,75") με θόλο τιτανίου 6 μονάδες μπάσων/μεσαίων συχνοτήτων 50 mm (2") με κώνο
πλέγματος ινών υάλου	2 μονάδες οδήγησης Atmos 50 mm (2") με κώνο πλέγματος ινών
υάλου	2 μονάδες μπάσων χαμηλού προφίλ 100 mm (4")
Απόκριση συχνότητας	43 Hz - 48 kHz
Διαστάσεις	65 mm (Υ) x 1210 mm (Π) x 140 mm (Β)
Βάρος	6,5 kg
Συνδέσεις	1 υποδοχή HDMI ARC/eARC 1 είσοδος ψηφιακού ήχου (Toslink) 1 υποδοχή RJ45 Ethernet 1 υποδοχή USB-C (μόνο για σέρβις)
Τάση εισόδου	100 V - 240 V, 50/60 Hz
Κατανάλωση ενέργειας σε κατάσταση αναμονής	Χαμηλότερη από 2 Watt

Οι όροι HDMI και HDMI High-Definition Multimedia Interface, καθώς και το λογότυπο HDMI, είναι εμπορικά σήματα ή σήματα κατατεθέντα της HDMI Licensing Administrator, Inc. στις Ηνωμένες Πολιτείες και σε άλλες χώρες. Τα Dolby, Dolby Atmos και Dolby Digital Plus είναι σήματα κατατεθέντα της Dolby Laboratories. Τα Apple, AirPlay, Apple Music, iOS, iPhone, iPad, iPod touch, iTunes, Apple TV, Mac, macOS, OS X, και tvOS είναι σήματα κατατεθέντα της Apple Inc., καταχωρημένα στις Η.Π.Α. και σε άλλες χώρες. Το εμπορικό σήμα «iPhone» χρησιμοποιείται στην Ιαπωνία με άδεια από την Aiphone KK. Τα Spotify και Spotify Connect είναι εμπορικά σήματα της Spotify AB. Η διαθεσιμότητα του Spotify Connect ενδέχεται να εξαρτάται από την περιοχή σας, ελέγξτε τη διαδικτυακή τοποθεσία [www.spotify.com](http://www.spotify.com) για περισσότερες λεπτομέρειες. Τα Amazon, Alexa και όλα τα σχετικά λογότυπα είναι εμπορικά σήματα της Amazon.com, Inc. ή των συνδεδεμένων εταιρειών της. Το Android είναι εμπορικό σήμα της Google LLC. Το aptX είναι προϊόν της Qualcomm Technologies, Inc. ή/και των θυγατρικών της. Το aptX είναι εμπορικό σήμα της Qualcomm Technologies International, Ltd., καταχωρημένο στις Ηνωμένες Πολιτείες και σε άλλες χώρες. Το λεκτικό σήμα και τα λογότυπα Bluetooth είναι σήματα κατατεθέντα που ανήκουν στην Bluetooth SIG, Inc. και οποιαδήποτε χρήση αυτών των σημάτων από την Bowers & Wilkins γίνεται κατόπιν άδειας. Τα υπόλοιπα εμπορικά σήματα και εμπορικές επωνυμίες ανήκουν στους αντίστοιχους κατόχους τους.

## Добро пожаловать в Bowers & Wilkins и Panorama 3!

Когда Джон Бауэрс создал нашу компанию, он сделал это, веря в то, что необычный дизайн, инновационные инженерные решения и передовые технологии являются ключом, открывающим двери к наслаждению звуком в домашней обстановке. Мы продолжаем разделять его концепции, и они находят свою реализацию в каждом создаваемом нами продукте.

Panorama 3 – это подключенная к сети беспроводная, активная акустическая система, обеспечивающая высокое качество звука. Panorama 3 можно настроить и управлять им, прежде всего, с помощью приложения Bowers & Wilkins Music. Это приложение доступно как для устройств под iOS, так и для Android™. Некоторые часто используемые функции управления доступны также с помощью кнопок на верхней панели Panorama 3, которые скрыты, пока не подсвечиваются. Установить и настроить Panorama 3 можно только с помощью приложения Bowers & Wilkins Music.

Panorama 3 позволяет вам:

- Слушать звуковое сопровождение телевизора через HDMI® с ARC/eARC соединением.
- Слушать звуковое сопровождение телевизора через цифровое оптическое соединение.
- Слушать аудио через стриминговые сервисы, такие как Tidal, Qobuz, Deezer, Spotify®, Apple Music, и многие другие.
- Слушать аудио через Bluetooth с устройств, оснащенных этой функцией.
- Слушать аудио, воспроизводимое в любом месте вашего дома, на любой совместимой беспроводной колонке Bowers & Wilkins, подключенной к вашей домашней сети. \*

Приложение Bowers & Wilkins Music требуется для подключения Panorama 3 к вашей домашней сети и для установления соединения с другими продуктами в вашем доме. Другое приложение Bowers & Wilkins Home также предоставляет некоторые функции управления и настройки во время использования. Перед началом установки Panorama 3, пожалуйста, загрузите и установите приложение Bowers & Wilkins Home на свое устройство iOS или Android. Для работы приложения Bowers & Wilkins Home потребуется iOS 11.4 или более поздней версии или Android версии 8.1 или более поздней версии. На вашем устройстве iOS или Android должны быть также включены сервисы Bluetooth и Wi-Fi. Вам также нужно будет знать пароль вашей сети Wi-Fi.

*Примечание: Службы определения местоположения должны быть включены на устройствах Android во время процесса настройки. Это связано с тем, что совместимые продукты Bowers & Wilkins используют для связи версию Bluetooth (BTLE) с малым потреблением энергии, которая на Android устройствах активируется только тогда, когда разрешена функция Location Services. Bowers & Wilkins не использует данные служб определения местоположения в маркетинговых целях.*

\*Эта функция будет активирована в 2022 году.

## 1. Содержимое упаковки

Panorama 3  
Шнур питания  
HDMI кабель  
Настенный кронштейн  
Комплект документации

## 2. Установка вашей Panorama 3

Ваша Panorama 3 создана для работы вместе с телевизором и поэтому должна быть расположена рядом с ним. Для соединения с телевизором Panorama 3 вы должны проложить HDMI кабель и обеспечить ее питание, так что она должна быть размещена недалеко от розетки и подключена прилагаемым HDMI кабелем. Если ваша Panorama 3 будет использовать проводное подключение к домашней сети, она должен быть расположена в пределах досягаемости соответствующего сетевого кабеля (Ethernet).

Ваша Panorama 3 может быть установлена на полке, столе или другой мебели, а также подвешена на стену с помощью специального кронштейна, прилагаемого в комплекте к Panorama 3. Если вы решите разместить свою Panorama 3 на полке, убедитесь, что она легко выдерживает вес. Качество звука может ухудшиться, если мебель или панели полок непрочные или резонирующие.

*Примечание: Если ваша Panorama 3 будет установлена на настенный кронштейн, обязательно установите кронштейн в соответствии с прилагаемыми инструкциями. Если вы не уверены в пригодности стены или в своей способности установить настенный кронштейн, вам следует обратиться за помощью к специалисту*

Как и большинство акустических систем, ваша Panorama 3 излучает звук не только вперед, но и вверх, вбок и назад. Следовательно, если она расположена достаточно близко к границам помещения или, например, установлен в углу, басы могут стать чрезмерно подчеркнутыми. Если вы обнаружите, что басы вашей Panorama 3 слишком заметны, может быть полезно переместить ее в другое положение, однако вы также можете настроить уровень басов с помощью меню настроек в приложении Bowers & Wilkins Music App.

### 2.1 Подсоединения

Кроме разъема сетевого питания, Panorama 3 имеет также разъем HDMI ARC/eARC, вход для цифрового оптического аудио сигнала и USB-C разъем для сервиса. Можно также подключить Panorama 3 к проводному (Ethernet) соединению, используя Ethernet порт.

Основным соединением с телевизором является HDMI кабель, и поэтому мы рекомендуем подключать Panorama 3 к телевизору через разъем ARC. Если ваш телевизор не имеет выхода HDMI с ARC или eARC, тогда вы можете подключить Panorama 3 к цифровому оптическому аудио выходу телевизора.

*Примечание: Чтобы получить максимальное качество звука при работе Panorama 3 с вашим телевизором, мы рекомендуем вам включить функцию ARC (или eARC, если они доступны на вашем телевизоре), а также CEC. У каждой марки телевизоров есть свой способ включить эти функции, и мы рекомендуем обратиться к руководству вашего телевизора для получения дополнительной информации. Мы также рекомендуем настроить телевизор на сквозной или байпасный режим, чтобы наслаждаться лучшим качеством звука от контента в формате Dolby® Atmos®, получаемого с других устройств, подключенных к вашему телевизору.*

## 2.2 Первоначальное соединение

После того, как проложены все соединения, на вашем мобильном устройстве установлено приложение Bowers & Wilkins Music и телевизор настроен на работу с выбранным разъемом, можно приступить к настройке Panorama 3.

У Panorama 3 нет сетевого выключателя питания, и поэтому после подключения к сети он выполнит короткую процедуру запуска, прежде чем будет готов к использованию. Процедура запуска включает в себя загрузку ПО колонки, подключение к сети и установление связи с любыми потоковыми сервисами, и поэтому она может занять некоторое время для завершения. Все это время многофункциональная кнопка (Multifunction) будет мигать белым светом в ходе загрузки и затем загорится янтарным светом после установления сетевого соединения. Panorama 3 также выдаст звуковое приращение, когда процедура его запуска будет завершена.

Когда впервые включается Panorama 3, которая ранее не использовалась, она автоматически переходит в режим настройки, чтобы активировать ее подключение к вашей домашней сети. Режим настройки отображается медленно пульсирующей желтой подсветкой многофункциональной кнопки (см. диаграмму 1). Panorama 3 также появится в приложении Bowers & Wilkins Music как доступная для настройки, либо в виде всплывающего окна, либо после выбора 'Add product' – "Добавить продукт" на странице настроек приложения.

Ваша Panorama 3 полностью автоматически управляет своим рабочим состоянием и энергопотреблением и переключается в режим энергосбережения после двадцати минут бездействия. Вам никогда не нужно выключать свою Panorama 3, однако, если вы захотите это сделать, просто отключите ее от сети. Panorama 3 сохранит свои настройки без питания от сети.

## 3. Перезапуск/Перезагрузка

Вы можете перезапустить Panorama 3, коротко нажав и отпустив кнопку сброса, расположенную на его задней панели (см. Диаграмму 1). Нажатие кнопки приведет к перезагрузке Panorama 3, выключению и повторному включению. Все настройки будут сохранены при таком перезапуске. Вы также можете перезапустить свою Panorama 3 на странице настроек приложения Bowers & Wilkins Music.

## 4. Сброс к заводским настройкам

Если вы хотите сбросить настройки Panorama 3 до заводских по умолчанию, нажмите и удерживайте кнопку сброса в течение пяти секунд. Расположение кнопки сброса можно увидеть на диаграмме 1. Процесс сброса будет индцирован красным светом многофункциональной кнопки и звуковым сигналом, и это выключит Panorama 3. При перезагрузке ваша Panorama 3 перейдет в режим настройки. Все настройки будут удалены при сбросе вашей Panorama 3. Вы также можете сбросить свою Panorama 3 с помощью меню настроек приложения Bowers & Wilkins Music.

## 5. Настройка по сети

Когда ваша Panorama 3 находится в режиме настройки и ее многофункциональная кнопка медленно пульсирует желтым цветом, запустите приложение Bowers & Wilkins Music на вашем устройстве iOS или Android. Приложение поможет вам с подсказками в процессе настройки.

*Примечание. В процессе настройки Panorama 3 использует Bluetooth соединение с устройством, на котором запущено приложение Bowers & Wilkins Home. Сигналы Bluetooth имеют относительно небольшой радиус связи и могут прерываться границами помещения, поэтому мы рекомендуем, чтобы ваша Panorama 3 и устройство с Bowers & Wilkins Home App оставались рядом во время процесса настройки.*

Приложение Bowers & Wilkins Music требует, чтобы вы создали учетную запись (аккаунт) пользователя. При первой загрузке приложения вам будет предложено войти в учетную запись, если она у вас уже есть, или создать новую учетную запись. Вам нужно будет ввести имя пользователя и пароль. Вы также можете изменить уведомления для своей учетной записи перед настройкой. Как только вы создадите аккаунт, вам нужно будет подтвердить адрес электронной почты, перейдя по ссылке, которая будет отправлена на ваш адрес электронной почты.

Приложение Bowers & Wilkins Music сначала выполнит поиск любых продуктов в режиме настройки, а затем автоматически предложит вам начать сам процесс настройки. Кроме того, вы можете настроить новый продукт в меню настроек, выбрав 'Add product' – "Добавить продукт" в разделе 'Your Devices' – "Ваши устройства".

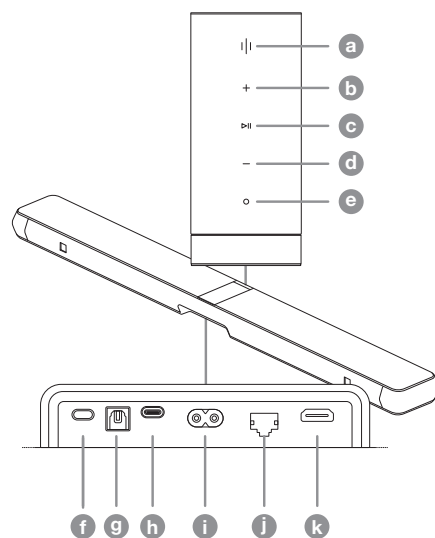


Diagram 1

Панель управления Panorama 3 и разъемы

### Кнопки / Соединения

- a** Multifunction (Многофункциональная)
- b** Volume Up (Увеличение громкости)
- c** Play/Pause (Воспроизведение / Пауза)
- d** Volume Down (Уменьшение громкости)
- e** Voice Assistant (Голосовой ассистент)
- f** Reset (Сброс)
- g** Digital Input (Цифровой вход)
- h** Service (Сервис)
- i** Power (Питание)
- j** Ethernet (Сеть)
- k** HDMI (ARC/eARC)

Процесс настройки в приложении Bowers & Wilkins попросит вас назвать "Space" – "Пространство", в котором будет использоваться ваша Panorama 3. Приводится список предлагаемых имен Пространств, но вы также можете создать свои собственные. Когда вы выбрали или создали имя Пространства, приложение попросит вас нажать многофункциональную кнопку в верхней части вашей Panorama 3, чтобы подтвердить выбор.

Если для вашей Panorama 3 будет использоваться беспроводное сетевое подключение, следующим этапом настройки будет подключение Panorama 3 к домашней сети Wi-Fi. Приложение попросит вас подтвердить правильность сети Wi-Fi и ввести пароль. Если же ваша Panorama 3 подключена к сетевому роутеру с помощью кабеля Ethernet, то этот этап процесса настройки будет пропущен.

*Примечание: Если у вас уже есть другие совместимые продукты Bowers & Wilkins, подключенные к вашей сети Wi-Fi, Panorama 3 не потребует от вас ввода пароля Wi-Fi, так как он будет безопасно передан через функцию быстрого подключения.*

После завершения конфигурирования сети Wi-Fi и выбора Пространства вам нужно будет настроить вход, который вы выбрали для подключения к телевизору. Приложение поможет вам настроить ваш телевизор. Если вы подключились к телевизору с помощью HDMI ARC/ eARC, приложение Bowers & Wilkins Music покажет вам, как подключить Panorama 3 к телевизору и включить CEC. Это позволяет вам управлять звуком Panorama 3 с помощью пульта дистанционного управления телевизором или телеприставкой. Если вы подключили телевизор к оптическому разъему, приложение Bowers & Wilkins Music покажет вам, как подключить Panorama 3 к телевизору и отключить встроенные динамики телевизора. Затем вас спросят, хотите ли вы, чтобы Panorama 3 выучила ИК-команды вашего пульта от телевизора, позволяя вам управлять Panorama 3 с помощью этого пульта.

*Примечание: Если Panorama 3 не получает ИК-команды во время процесса настройки, вам может потребоваться включить ИК-поддержку внешних устройств на вашем телевизоре. Пожалуйста, обратитесь к руководству вашего телевизора для получения дополнительной информации.*

## 6. Настройка Bluetooth в автономном режиме

Вы можете использовать свою Panorama 3 для приема музыки по Bluetooth без необходимости подключения ее к сети. Когда ваша Panorama 3 находится в режиме настройки и многофункциональная кнопка медленно пульсирует желтым цветом, нажмите и удерживайте ее в течение 5 секунд. Panorama 3 будет воспроизводить и выводить звуковые подсказки, а многофункциональная кнопка будет мигать синим цветом. Это указывает на то, что Panorama 3 находится в режиме сопряжения по Bluetooth и может быть подключена через меню Bluetooth устройств-источников. Panorama 3 будет доступна в меню Bluetooth под названием "Panorama 3".

*Примечание: В этой конфигурации продукт больше не может быть настроен по сети. Для подключения Panorama 3 к сети в автономном режиме Bluetooth вам потребуется выполнить сброс настроек устройства с помощью кнопки сброса на задней панели устройства (см. Раздел 4).*

Panorama 3 можно подключить к нескольким устройствам, нажав и удержав многофункциональную кнопку в течение 5 секунд, чтобы войти в режим сопряжения. Panorama 3 может поддерживать сопряжение до восьми устройств.

*Примечание: Panorama 3 будет оставаться в режиме сопряжения в течение 2 минут и потом выйдет из него, если в течение этого времени ни одно устройство не будет сопряжено. Для повторного входа в режим сопряжения нажмите и удерживайте многофункциональную кнопку.*

## 7. Использование Panorama 3

### 7.1 Пространства – Spaces

Пространства (Spaces) – это ключевая концепция приложения Bowers & Wilkins Music и совместимых продуктов. "Пространство" – это комната или определенная область в вашем доме, в которой вы слушаете музыку. Невозможно использовать Panorama 3 с каким-либо другим устройством в одном и том же пространстве.

### 7.2 Поддержка Dolby

Panorama 3 поддерживает Dolby Digital в следующих форматах:

- Dolby Digital
- Dolby Digital Plus™
- Dolby Atmos
- Dolby TrueHD

Для всех этих аудио форматов Panorama 3 автоматически оптимизирует воспроизведение и обеспечивает наилучшее возможное качество звука.

### 7.3 Стриминг музыки

Можно использовать Panorama 3, чтобы воспроизводить музыку со стриминговых сервисов, таких как: Spotify, Apple Music, Qobuz и Tidal. Аудио можно принимать прямо через приложение Bowers & Wilkins Music, Spotify Connect®, AirPlay® 2 или Bluetooth.

### 7.4 Воспроизведение аудио с помощью Приложения Bowers & Wilkins Music

После того как вы подключили свой продукт и включили стриминговый сервис музыки в приложении, вы сможете просматривать списки музыки из своего источника. Как только вы выбрали трек, который хотите воспроизвести, просто нажмите кнопку "Play". Если у вас есть только одно Пространство, музыка будет автоматически воспроизводиться в этом Пространстве. Если же у вас несколько Пространств, то как только вы нажмете "Play", отобразится список доступных Пространств в вашем доме, и, нажав на то место, в котором вы хотите воспроизвести звук, вы получите воспроизведение в выбранном Пространстве.

### 7.5 Воспроизведение аудио через Spotify Connect

Используйте свой смартфон, планшет или компьютер в качестве пульта дистанционного управления для Spotify. Зайдите на сайт <https://www.spotify.com/connect>, чтобы узнать, как это делать.

### 7.6 Воспроизведение аудио через AirPlay

AirPlay позволяет приложениям на мобильных устройствах Apple, ноутбуках или настольных устройствах передавать аудио по сети на любые колонки, совместимые с AirPlay, такие как Panorama 3. Приложения с поддержкой AirPlay будут отображать значок AirPlay.

Чтобы использовать AirPlay, откройте приложение, которое вы хотите использовать, и выберите контент, который вы хотите воспроизвести. Нажмите на значок AirPlay, чтобы отобразить список доступных устройств, за которым последует имя Пространства, которое вы хотите использовать.

## 7.7 Воспроизведение звука через Bluetooth

Bluetooth позволяет аудио приложениям на мобильных устройствах, ноутбуках или настольных устройствах передавать файлы по беспроводному соединению с вашей Panorama 3.

Чтобы использовать Bluetooth, вам сначала нужно выполнить сопряжение вашего устройства с Panorama 3. В приложении Bowers & Wilkins Music выберите Settings – Настройки, а затем выберите Пространство, содержащее устройство, с которым вы хотите выполнить сопряжение. Выбор строки "Pair new device" – "Сопряжение нового устройства" переведет Panorama 3 в режим сопряжения по Bluetooth. Перейдите в меню Bluetooth вашего устройства, и вы сможете выполнить сопряжение с Panorama 3. Он будет использовать имя Пространства в меню сопряжения Bluetooth. После сопряжения вы можете воспроизводить аудио через любое приложение на вашем устройстве-источнике. Вы можете просмотреть список сопряженных устройств с вашей Panorama 3 в приложении Bowers & Wilkins.

*Примечание: Panorama 3 будет оставаться в режиме сопряжения в течение 2 минут и потом выйдет из него, если в течение этого времени ни одно устройство не будет сопряжено. Чтобы снова войти в режим сопряжения, повторите описанные выше действия.*

## 8. Приложение Bowers & Wilkins Music

Приложение Bowers & Wilkins Music открывается на главной странице. В нижней части страницы расположены четыре навигационных значка для основных разделов приложения. Это: просмотр (browse), библиотека (library), поиск (search) и настройки (settings), а значок, подсвеченный желтым, указывает, на какой странице вы находитесь.

### 8.1 Просмотр – Browse

На странице просмотра приложения Bowers & Wilkins Music содержимое расположено в нескольких строках в виде ленты, которую можно прокручивать, проводя пальцем вправо или влево. На странице просмотра показаны рекомендуемые плей-листы, созданные на основе вашего музыкального вкуса, недавно сыгранной музыки и некоторых рекомендуемых плей-листов, подготовленных Bowers & Wilkins. Вы также можете прокручивать вниз и просматривать музыку из любых конкретных потоковых сервисов, которые вы связали с вашим приложением.

*Примечание: Рекомендации основаны на жанрах, исполнителях, альбомах и треках, которые вам понравились. Чтобы поставить знак «нравится» любому материалу, просто нажмите на символ сердца. Чем больше треков вам понравится, тем лучше будут рекомендации. Ваши рекомендации останутся с вами и вашей учетной записью Bowers & Wilkins и не будут связаны с вашим сервисом потоковой передачи музыки.*

### 8.2 Библиотека – Library

Страница библиотеки объединяет все материалы, которые вам понравились, либо в музыкальном приложении Bowers & Wilkins, либо в любом из ваших потоковых сервисов. Вы можете искать контент здесь по музыке, подкастам и радио. Если вам понравился материал в родном приложении потокового сервиса, он может не сразу появиться в библиотеке приложения Bowers & Wilkins Music.

### 8.3 Поиск – Search

Вы можете искать любую музыку с помощью функции поиска в приложении Bowers & Wilkins Music. Приложение будет искать результаты по всем вашим связанным потоковым сервисам.

## 8.4 Настройки – Settings

Страницы настроек позволяют настроить несколько продуктов в вашем доме. Страница настроек разделена на разные разделы:

- **Ваши Пространства**  
Здесь перечислены все помещения в вашем доме, и на основе этого вы можете настроить отдельные устройства.
- **Ваша учетная запись (аккаунт)**  
В этом разделе вы можете изменить данные своей учетной записи, а также связать любые музыкальные сервисы с вашим приложением.
- **Ваши Продукты**  
Здесь вы можете запускать любые обновления, доступные для любого из ваших продуктов в вашем доме.

## 8.5 Связывание потоковых сервисов

Приложение Bowers & Wilkins Music позволяет вам выбирать и воспроизводить музыку из ряда потоковых сервисов, таких как Qobuz, Tidal, Deezer и многих других. Для этого приложение Bowers & Wilkins Music должно быть связано с вашим сервисом потоковой передачи музыки. Это можно сделать в настройках с помощью кнопки 'Link services' – "Связать сервисы" в разделе 'Your Account' – "Ваш аккаунт". Просто нажмите и следуйте инструкциям на экране.

## 8.6 Вид плеера

Когда звук воспроизводится на Panorama 3, вы можете регулировать громкость, воспроизводить/приостанавливать звук, пропускать треки вперед и назад. Вид плеера можно свести к минимуму, нажав стрелку вниз в левом верхнем углу экрана. Это сводит к минимуму просмотр меню плеера в нижней части главного экрана. Его можно увеличить, нажав на вид мини-плеера в любое время.

## 9. Обновление программного обеспечения

Panorama 3 – это колонка, подключенная к сети, и поэтому с помощью обновлений программного обеспечения можно будет повысить надежность ее работы, а также скачать новые функции. Когда обновление программного обеспечения доступно для любого продукта в вашей сети, на значке настроек отображается особая метка. Перейдя на страницу настроек, вы увидите, что обновление доступно. Нажатие на эту кнопку вызовет обновление для всех продуктов в сети, которые требуют новое ПО.

## 10. Настройки звука

Размещение любой акустической системы может повлиять на характер ее звучания, например, при установке близко к стене могут быть чрезмерно подчеркнуты низкие частоты, а если колонка не обращена к вам, может быть снижен уровень высоких частот. Поэтому предусмотрена возможность настройки уровня низких и высоких частот вашей Panorama 3, чтобы обеспечить большую гибкость при установке его в вашей комнате. Чтобы получить доступ к этой функции, выберите настройки, а затем имя Пространства с продуктом, который вы хотите настроить, затем выберите устройство. После этого вы сможете отрегулировать низкие и высокие частоты, изменив уровни от -6 дБ до +6 дБ. Нас тройки будут сохранены в памяти Panorama 3 при отключении питания, но будут сброшены после заводского сброса.

## 11. Amazon Alexa

Panorama 3 – это умная колонка со встроенным голосовым помощником Amazon Alexa. Чтобы включить эту функцию, перейдите на страницу настроек устройства в приложении Bowers & Wilkins Music. Выберите Settings – Настройки, а затем выберите Пространство, содержащее Panorama 3, на котором вы хотите включить голосового помощника. Затем выберите устройство. Откроется страница настроек устройства. Вы можете включить Amazon Alexa здесь, связав свою учетную запись с Amazon. Просто нажмите на ссылку и следуйте инструкциям. Вы можете в любое время отключить свою Panorama 3 от своей учетной записи Alexa.

Чтобы поговорить с Alexa, просто скажите вслух ключевое слово 'Alexa' или нажмите на кнопку Voice Assistant на Panorama 3. Если же нажать и удерживать кнопку Voice Assistant, то вы отключите микрофоны Alexa.

## 12. Элементы управления Panorama 3

На верхней панели Panorama 3 имеются кнопки, обеспечивающие управление воспроизведением/паузой, регулировкой громкости и работой с голосовым ассистентом – см. Diagram 1.

Нажатие кнопки Play/Pause поочередно останавливает и перезапускает воспроизведение звука.

Нажатие кнопок для увеличения или уменьшения громкости отрегулирует громкость любого воспроизводимого звука. Нажатие и удержание кнопок будет непрерывно увеличивать или уменьшать громкость.

Нажатие многофункциональной кнопки приведет к циклическому просмотру и воспроизведению активных потоков и источников, доступных для Panorama 3. Подсветка многофункциональной кнопки Panorama 3 меняется, указывая на различные рабочие состояния. Варианты подсветки показаны на Diagram 2..

Нажатие кнопки Voice Assistant позволяет разговаривать с голосовым помощником без произнесения ключевого слова. Эта функция требует, чтобы на вашей Panorama 3 была включена голосовая служба.

## 13. Чистка

Если ваша Panorama 3 нуждается в чистке, вы можете протереть его верхнюю поверхность чистой тканью без ворса и почистить решетку мягкой щеткой. Если вы хотите использовать какую-либо чистящую жидкость, нанесите ее на чистящую ткань, а не непосредственно на Panorama 3. Сначала проверьте ее на небольшом участке, так как некоторые чистящие средства могут повредить некоторые поверхности. Избегайте продуктов, которые являются абразивными или содержат кислоту, щелочь или антибактериальные вещества.

## 14. Поддержка

Если вам потребуется дополнительная помощь или совет относительно вашего продукта, пожалуйста, посетите сайт поддержки [www.bowerswilkins.com/support](http://www.bowerswilkins.com/support).

## 15. Экологическая информация

Этот продукт автоматически управляет своим состоянием питания без необходимости какого-либо взаимодействия. При подключении к сети и неиспользовании потребляемая мощность автоматически снижается ниже 2 Вт.

Этот продукт соответствует международным директивам, включая, но не ограничиваясь «Ограничением по применению опасных веществ (RoHS) в электрическом и электронном оборудовании, Registration, Evaluation, Authorisation and restriction of Chemicals – ограничением химических веществ (REACH) и утилизацией отходов электрического и электронного оборудования (WEEE). Проконсультируйтесь с местным органом по утилизации отходов для получения рекомендаций о том, как правильно рециклировать или утилизировать этот продукт.

Свечение		Состояние
Мигающий белый		В процессе запуска
Пульсирующий янтарный		Готов к настройке
Мигающий янтарный		Процесс обновления прошивки ПО
Пульсирующий белый		Прием аудио сигнала
Пульсирующий красный		Ошибка – обратитесь в службу поддержки
Постоянный красный		Ошибка – обратитесь в службу поддержки
Мигающий красный		Процесс сброса настроек к заводским
Мигающий синий		Режим сопряжения по Bluetooth
Постоянный синий		Bluetooth соединение установлено

Diagram 2

Свечение многофункционального индикатора

## Технические характеристики

Достоинства	Совместимость с приложением Bowers & Wilkins Music Apple AirPlay 2 Spotify Connect Bluetooth Alexa – в оснащении Dolby TrueHD Discrete Dolby Atmos 3.1.2 HDMI eARC
Поддержка аудио форматов	Dolby Atmos Dolby Digital True HD Dolby Digital Plus LPCM
Bluetooth	5.0, class 2
Bluetooth кодеки	aptX™ Adaptive, AAC, SBC
AirPlay 2 совместимость	iPhone, iPad, and iPod touch с iOS 11.4 или новее, Apple TV 4K или Apple TV (4-е поколение) с tvOS 11.4 или новее, Mac или PC с iTunes 12.8 или новее
Выходная мощность усилителей	400 Вт
Динамики	3x 19мм (0.75") твитеры с титановым куполом 6x 50мм (2") НЧ/СЧ-динамики с плетеными стекловолоконными диффузорами 2x 50мм (2") динамики для Dolby Atmos с плетеными стекловолоконными диффузорами 2x 100мм (4") НЧ-драйверы с тонким профилем
Диапазон частот	43 Гц – 48 кГц
Размеры	65мм (h) x 1210мм (w) x 140мм (d)
Вес	6.5 кг
Соединения	1x HDMI ARC/eARC 1x Digital Audio In (Toslink) 1x RJ45 Ethernet 1x USB-C (только для сервиса)
Питание	100В – 240В, 50/60Гц
Потребление	менее 2 Вт

Термины HDMI и HDMI High-Definition Multimedia Interface, а также логотип HDMI – это торговые марки или зарегистрированные торговые марки HDMI Licensing Administrator, Inc. в США и других странах. Dolby, Dolby Atmos и Dolby Digital Plus – это зарегистрированные торговые марки Dolby Laboratories. Apple, AirPlay, Apple Music, iOS, iPhone, iPad, iPod touch, iTunes, Apple TV, Mac, macOS, OS X, и tvOS - это зарегистрированные торговые марки Apple Inc., зарегистрированные в США и других странах. Торговая марка "iPhone" используется в Японии по лицензии Aiphone KK. Spotify и Spotify Connect - это торговые марки Spotify AB. Доступность Spotify Connect зависит от региона, пожалуйста зайдите на сайт [www.spotify.com](http://www.spotify.com) за дополнительной информацией. Amazon, Alexa, и связанным с ними логотипы - это торговые марки Amazon.com, Inc. или ее филиалов. Android - это торговая марка Google LLC. aptX – это продукт Qualcomm Technologies, Inc. и/или ее филиалов. aptX - это торговая марка Qualcomm Technologies International, Ltd., зарегистрированная в США и других странах. Словесная марка Bluetooth и логотипы - это зарегистрированные торговые марки, принадлежащие Bluetooth SIG, Inc. и любое их использование компанией Bowers & Wilkins лицензировано. Все остальные торговые марки и наименования принадлежат их соответствующим владельцам.

## Vítejte u Bowers & Wilkins s přístrojem Panorama 3

Když John Bowers zakládal společnost Bowers & Wilkins, byl přesvědčen o tom, že nápaditý design, inovativní konstrukce a vyspělé technologie jsou klíčem ke kvalitnímu poslechu zvuku v domácnostech zákazníků Bowers & Wilkins. Toto přesvědčení nás i nadále inspiruje při návrhu každého nového produktu.

Panorama 3 je aktivní reprosystém se síťovými funkcemi a bezdrátovým připojením, který nabízí špičkovou reprodukci. Pro nastavování a ovládání se u něj předpokládá aplikace Bowers & Wilkins Music App., dostupná pro iOS a Android™ zařízení. Pro některé nejpoužívanější funkce jsou k dispozici také skrytá dotyková tlačítka na horním panelu systému Panorama 3, jenž se rozsvítí při přiblížení ruky. Nastavení a konfiguraci systému je však možné provádět pouze prostřednictvím zmíněné aplikace Bowers & Wilkins Music.

Panorama 3 vám umožňuje:

- Poslouchat zvuk z vaší TV prostřednictvím HDMI® ARC/eARC propojení.
- Poslouchat zvuk z vaší TV prostřednictvím optického digitálního audio propojení.
- Poslech hudby ze streamovacích služeb jako jsou Tidal, Qobuz, Deezer, Spotify®, Apple Music, a další.
- Poslech zvuku přes Bluetooth ze zdrojových Bluetooth zařízení.
- Přehrávání stejného zvuku v různých místech vašeho domu pomocí dalších kompatibilních bezdrátových reprosystémů Bowers & Wilkins, připojených do stejné domácí sítě.\*

Pro připojení reprosystému Panorama 3 k vaší domácí síti a ustavení propojení s ostatními produkty je vyžadována aplikace Bowers & Wilkins Music App. Tato aplikace ale neslouží jen k prvotnímu nastavení – s její pomocí lze také provádět různá nastavení a ovládat konfigurace během používání systému. Než tedy začnete Panorama 3 používat, stáhněte si prosím aplikaci Bowers & Wilkins Home do vašeho iOS či Android zařízení. Aplikace Bowers & Wilkins Home vyžaduje iOS 11.4 či novější, nebo Android V8.1 či novější. U iOS či Android zařízení, na kterém je aplikace instalována před použitím zkontrolujte, zda jsou povoleny funkce Bluetooth a WiFi. Budete také potřebovat znát heslo pro přihlášení k vaší WiFi síti.

*Poznámka: Používáte-li mobilní telefon systému Android, je třeba mít během procesu nastavování povoleny služby určování polohy. Důvodem je, že kompatibilní produkty Bowers & Wilkins používají pro servisní komunikaci energeticky úspornou formu Bluetooth Low Energy (BT-LE), která je u Android zařízení aktivní pouze při povolených polohových službách. Společnost Bowers & Wilkins nevyužívá žádná data z polohových služeb pro marketingové účely.*

\* Funkce bude dostupná v průběhu roku 2022

## 1. Balení obsahuje

Reposystém Panorama 3  
Napájecí kabel  
HDMI kabel  
Nástěnný držák  
Balíček dokumentů

## 2. Instalace systému Panorama 3

Systém Panorama 3 je navržen především pro reprodukci zvuku vaší TV a proto by měl být umístěn co nejlíže obrazovce. Mimo HDMI (či optického) připojení k TV však systém Panorama 3 vyžaduje také napájení, takže musí být umístěn i v dosahu elektrické zásuvky a pokud se rozhodnete systém připojit k vaší domácí počítačové síti pomocí kabelu (Ethernet), měl by být v dosahu také patřičný terminál vaší počítačové sítě.

Reposystém Panorama 3 může být umístěn na polici, stolkou či jiném nábytku, nebo jej můžete připevnit na stěnu pomocí držáku, dodávaného v příslušenství. Rozhodnete-li se pro umístění Panorama 3 na polici, ujistěte se, že je police schopna bezpečně nést hmotnost reposystému. Rozhodnete-li se pro umístění Panorama 3 na polici, ujistěte se, že je police schopna bezpečně nést hmotnost reposystému. Je třeba také počítat s tím, že případné rezonance nábytku či poličky mohou reprodukci narušovat.

*Poznámka: Budete-li Panorama 3 montovat na stěnu pomocí nástěnného držáku, postupujte přesně podle instrukcí výrobce. Nejistě-li si jisti, zda stěna přístroj unese, nebo pokud máte jiné pochybnosti, svěťte raději montáž nějaké specializované firmě.*

Tak jako většina jiných reposystémů, vyzařuje Panorama 3 zvuk nejen dopředu, ale také do stran a dozadu. Čím více posunete reposystém Panorama 3 ke zdi, tím více může díky odrazům dojít ke zdůraznění basů. Máte-li pocit, že je basů příliš mnoho, zkuste reposystém přesunout do větší vzdálenosti od zdi. Úroveň basů můžete také doladit v menu aplikace Bowers & Wilkins Home.

### 2.1 Připojení

Mimo zdičky pro napájecí kabel je systém Panorama 3 vybaven také HDMI terminálem s funkcí ARC/eARC, zdičkou pro optické digitální audio propojení a USB-C terminálem pro servisní úkony. K dispozici je také Ethernet terminál pro připojení systému Panorama 3 k vaší počítačové síti pomocí kabelu.

Nejllepší způsob připojení systému Panorama 3 k vaší TV je pomocí HDMI kabelu, zapojeného u TV do HDMI zdičky s funkcí ARC či eARC. Pokud vaše TV funkci ARC či eARC nemá, můžete místo HDMI použít propojení pomocí optického kabelu.

*Poznámka: Pro správné fungování systému Panorama 3 s vaší TV je třeba v nastavení TV povolit funkci ARC (případně eARC, pokud ji TV má) a také CEC (HDMI Control). Aktivování těchto funkcí bývá v menu TV řešeno různým způsobem, doporučujeme tedy podívat se do manuálu dané TV. Pro nejlepší reprodukci prostorových formátů včetně Dolby® Atmos® je také důležité nastavit v menu TV pro digitální audio výstup režim, ve kterém TV zvuk nepracovává, ale posílá jej v původní formě do připojeného audiozařízení (v našem případě do Panorama 3). Tento režim se obvykle nazývá audio pass-through či bypass.*

## 2.2 Prvotní připojení

Jsou-li hotová všechna kabelová propojení, ve vašem mobilním telefonu či tabletu máte nainstalovanou aplikaci Bowers & Wilkins Music a TV je správně nakonfigurována pro přenos signálu, můžete začít s nastavováním systému Panorama 3.

Panorama 3 nemá vypínač napájení, takže hned po připojení k napájecí zásuvce a krátké nabíjecí proceduře je přístroj plně aktivní a připraven k použití. Proces zapnutí zahrnuje operace jako nabíhání systému, připojování k počítačové síti, případně navázání spojení se streamovacími službami. V této fázi bude multifunkční tlačítko blikat bíle během nabíhání systému a jantarově během připojování k síti. Po ukončení zapínacího procesu se ozve zvukový signál.

Při prvním zapnutí Panorama 3, který doposud nebyl použit, se automaticky aktivuje režim instalace, aby bylo možné jeho připojení do vaší domácí sítě. Režim instalace je indikován pomalu pulzujícím oranžovým osvětlením multifunkčního tlačítka (viz. obrázek 1). Panorama 3 se rovněž objeví v aplikaci Bowers & Wilkins Music jako dostupné zařízení pro instalaci, a to buď v „pop-up“ okně, nebo po výběru „Add product“ (Přidat produkt) na stránce Settings (Nastavení) v této aplikaci.

Váš Panorama 3 řídí svůj provozní stav a spotřebu energie zcela automaticky a po dvaceti minutách nečinnosti se přepne do úsporného režimu. Panorama 3 tedy není nutno vůbec vypínat, avšak pokud tak chcete učinit, jednoduše jej odpojte od napájecí sítě. Panorama 3 si zapamatuje nastavení i po odpojení od síťového napájení.

## 3. Restart / Reboot

Panorama 3 můžete v případě potřeby restartovat krátkým stisknutím a uvolněním resetovacího tlačítka, umístěného na jeho zadním panelu (viz. obrázek 1). Po stisknutí tohoto tlačítka se Panorama 3 vypne a zase zapne. Všechna nastavení zůstanou při restartu Panorama 3 zapamatována. Panorama 3 můžete rovněž restartovat pomocí stránky Settings (Nastavení) v aplikaci Bowers & Wilkins Music.

## 4. Reset na tovární hodnoty

Pokud chcete Panorama 3 resetovat do výchozího nastavení, stiskněte a po dobu 5ti vteřin podržte resetovací tlačítko (viz obrázek 1). Proces resetování bude indikován červeným podsvícením multifunkčního tlačítka a zvukovým signálem. Tímto procesem také dojde k vypnutí systému Panorama 3. V tomto případě naběhne přístroj Panorama 3 po svém restartu do režimu instalace. Všechna nastavení budou při resetování smazána. Panorama 3 můžete rovněž resetovat pomocí menu Settings (Nastavení) v aplikaci Bowers & Wilkins Music.

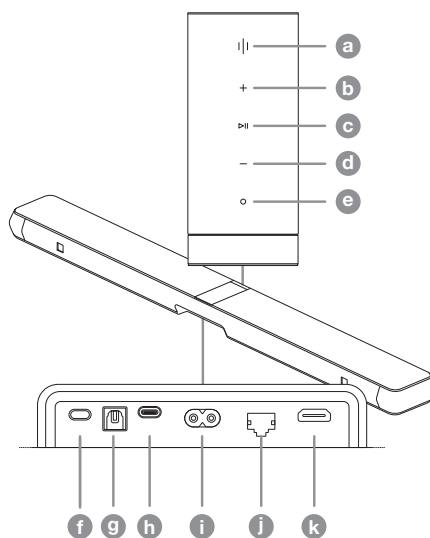
## 5. Nastavení sítě

Když je Panorama 3 v režimu instalace a osvětlení multifunkčního tlačítka pomalu pulzuje oranžovou barvou, spusťte ve vašem zařízení se systémem iOS nebo Android aplikaci Bowers & Wilkins Music. Tato aplikace vás provede celým procesem instalace.

*Poznámka: Panorama 3 používá během procesu instalace Bluetooth připojení k zařízení, na kterém je spuštěna aplikace Bowers & Wilkins Music. Protože má Bluetooth signál relativně krátký dosah a může docházet k jeho rušení zdi místností, doporučujeme vám, aby Panorama 3 a zařízení s aplikací Bowers & Wilkins Home zůstaly během procesu instalace v těsné blízkosti.*

Aplikace Bowers & Wilkins Music App vyžaduje vytvoření uživatelského účtu. Když aplikaci poprvé po stažení otevřete zeptá se vás, zda již máte vytvořen účet, nebo zda jej chcete vytvořit. Bude třeba zadat e-mail a heslo. Před nastavováním můžete také můžete modifikovat notifikace pro váš účet. V konečné fázi zřizování účtu je pak třeba potvrdit e-mailovou adresu kliknutím na odkaz v zasláném ověřovacím e-mailu.

Aplikace Bowers & Wilkins Music po spuštění nejprve vyhledá dostupné produkty s aktivovaným režimem instalace a zobrazí okno s výzvou k zahájení nastavování. Alternativně můžete process nastavování nového produktu spustit z menu, výběrem položky „Add product“ (Přidat produkt) v sekci „your device“ (vaše zařízení).



Obrázek 1  
Zadní panel a ovládací prvky Panorama 3

### Tlačítka / Terminály

- a** Multifunkční
- b** Hlasitost nahoru
- c** Přehrávání/Pauza
- d** Hlasitost dolů
- e** Hlasový asistent
- f** Reset
- g** Digitální vstup
- h** Servisní terminál
- i** Napájení
- j** Ethernet
- k** HDMI (ARC/eARC)



Aplikace Bowers & Wilkins Music vás dále vyzve k pojmenování „Zóny“ (Space), ve které bude váš produkt Panorama 3 používán. Nabídně se seznam výchozích názvů zón; můžete si však rovněž vytvořit svůj vlastní název. Po výběru nebo vytvoření názvu zóny vás aplikace požádá, abyste se dotkli multifunkčního tlačítka na Panorama 3 pro potvrzení vaší volby.

Pokud budete u vašeho produktu Panorama 3 používat bezdrátové připojení k síti, vyzve vás v dalším instalačním kroku aplikace k potvrzení/výběru správné WiFi sítě a zadání patřičného hesla. Máte-li však systém Panorama 3 k vaší počítačové síti (routeru) připojený pomocí kabelu, bude tato část nastavovacího procesu přeskočena.

*Poznámka: Pokud jsou k WiFi síti již připojeny další kompatibilní produkty Bowers & Wilkins, nebude Panorama 3 při instalaci heslo k síti WiFi vyžadovat, protože bude bezpečně sdíleno pomocí funkce Quick Connect function.*

Když je WiFi připojení k síti nakonfigurováno a je zvolena zóna, ve které má reprosystém pracovat, přejděte ke konfiguraci vstupu, zvoleného pro připojení k vaší TV. Aplikace vás provede nastavením vaší TV. Pokud jste se rozhodli připojit TV pomocí HDMI s funkcí ARC/eARC, ukáže vám aplikace jak systém Panorama 3 k TV připojit a povolít CEC. Systém HDMI ovládání (CEC) vám pak umožní ovládat systém Panorama 3 prostřednictvím dálkového ovladače od vaší TV či set-top boxu. Pokud jste místo HDMI zvolili optické propojení, ukáže vám aplikace jak systém Panorama 3 k TV připojit a vypnout reproduktory vestavěné v TV. Dále budete dotázáni, zda si přejete naučit systém Panorama 3 povelům vyslaným dálkovým IR ovladačem vaší TV, aby reprosystém na tyto povel (např. zvýšení/snížení hlasitosti) dokázal reagovat.

*Poznámka: Pokud systém Panorama 3 během nastavovacího procesu není schopen načíst povel ovladače od TV, zkontrolujte prosím, zda ovladač vysílá povel pomocí infračerveného světla (IR) a ne třeba rádiově. Jestliže povel posíláte z nějakého IR emitéru zabudovaného v TV (nikoli z dálkového ovladače), bude zřejmě nutné na vaší TV povolit podporu IR ovládání externích zařízení. Pro další informace si prosím přečtete manuál od konkrétní TV.*

## 6. Nastavení pro samostatný Bluetooth režim

Panorama 3 je možné používat i pouze pro streamování Bluetooth, tedy bez nutnosti připojení k počítačové síti. Je-li Panorama 3 v nastavovacím režimu a jeho kontrolka pomalu bliká oranžovým světlem, stiskněte a po dobu 5 vteřin držte stisknuté multifunkční tlačítko. Panorama 3 vydá zvukový signál a podsvícení multifunkčního tlačítka začne blikat modře. Tím je u Panorama 3 indikován režim Bluetooth párování a je možné se k němu připojit pomocí Bluetooth menu vašeho zařízení, kde se mezi dostupnými přístroji objeví „Panorama 3“.

*Poznámka: V této konfiguraci již ale nebude možné Panorama 3 nastavením pro bezdrátovou WiFi síť. Pokud chcete Panorama 3 nastavením do samostatného Bluetooth režimu konfigurovat pro připojení k WiFi, budete muset nejprve provést jeho reset na tovární hodnoty pomocí resetovacího tlačítka na zadním panelu (viz. kapitola 4).*

Panorama 3 je možné spárovat s více zařízeními – pro párování vždy na 5 vteřin stiskněte multifunkční tlačítko, čímž se aktivuje režim párování. Takto je možné spárovat až osm zařízení.

*Poznámka: Je-li Panorama 3 uveden do párovacího režimu a během 2 minut s ním nebude spárováno žádné zařízení, automaticky párovací režim ukončí. Pro nové uvedení Panorama 3 do párovacího režimu podržte stisknuté multifunkční tlačítko.*

## 7. Používání přístroje Panorama 3

### 7.1 Zóny (Space)

Zóny jsou základním konceptem aplikace Bowers & Wilkins Music a kompatibilních produktů. Zónou (Space) je myšlen specifický prostor vašeho domu, do kterého chcete směřovat přehrávání hudby. Systém Panorama 3 pak musí být k dané zóně přiřazen sám, není možné s ním pro stejnou zónu kombinovat další produkty.

### 7.2 Podpora Dolby

Panorama 3 podporuje zvuk Dolby Digital v následujících formátech:

- Dolby Digital
- Dolby Digital Plus™
- Dolby Atmos
- Dolby TrueHD

Panorama 3 bude u všech těchto formátů automaticky optimalizovat reprodukci pro co nejdokonalejší zážitek.

### 7.3 Streamování hudby

Reprosystém Panorama 3 můžete využívat také pro přehrávání hudby z internetových služeb, jako jsou Spotify, Apple Music, Qobuz či Tidal. V závislosti na službě a zařízení se pro streamování používá přímo aplikace Bowers & Wilkins Music, Spotify Connect®, AirPlay®2 či Bluetooth.

### 7.4 Přehrávání zvuku přes aplikaci Bowers & Wilkins Music App

Máte-li přístroj připojen a v aplikaci povolenu hudební streamovací službu, můžete v této službě vybírat hudbu. Vyberete-li si něco k přehrávání, klikněte jednoduše na „Play“ (přehrát). Máte-li v aplikaci nakonfigurovanou jen jednu zónu (Space), spustí se přehrávání rovnou v přístroji přiřazeném k této zóně. Pokud máte v aplikaci nakonfigurováno více zón, zobrazí se po kliknutí na „Play“ jejich seznam, abyste si kliknutím mohli vybrat zónu, do kterých chcete přehrávání směřovat.

### 7.5 Přehrávání zvuku přes Spotify Connect

Použijte váš telefon, tablet či počítač, jako dálkové ovládání služby Spotify. Pro více informací prosím navštivte <https://www.spotify.com/connect>.

### 7.6 Přehrávání zvuku přes AirPlay

Funkce AirPlay umožňuje Apple telefonu, laptopu či počítači streamovat po síti zvuk z různých aplikací do kompatibilních AirPlay zařízení, jako je například Panorama 3. Aplikace, které AirPlay streamování umožňují, zobrazují ikonu AirPlay.

Pro využití AirPlay otevřete aplikaci, kterou chcete používat a vyberte obsah pro přehrávání. Následně klikněte na ikonu AirPlay pro zobrazení dostupných zařízení a vyberte to, přes které chcete zvuk poslouchat.

### 7.7 Přehrávání zvuku přes Bluetooth

Funkce Bluetooth umožňuje telefonu, laptopu či počítači bezdrátově streamovat zvuk z různých aplikací přímo do Panorama 3.

Pro Bluetooth streamování je nutné nejprve zdrojové Bluetooth zařízení a Panorama 3 mezi sebou spárovat. Otevřete stránku Settings (Nastavení) v aplikaci Bowers & Wilkins Music a vyberte Space (zónu) obsahující váš Panorama 3, se kterým chcete zdrojové Bluetooth zařízení spárovat. Dále v menu vyberte „Pair a new device“ (Spárovat nové zařízení), čímž se na Panorama 3 spustí režim párování. Na zařízení, které chcete se Panorama 3 spárovat vyberte v menu Bluetooth Panorama 3 ze seznamu dostupných zařízení pro spárování. Jakmile je spárování hotovo, vydá Panorama 3 zvukový signál. Seznam zařízení, která byla se Panorama 3 spárována si můžete prohlédnout v aplikaci Bowers & Wilkins Music App.

*Poznámka: Je-li Panorama 3 uveden do párovacího režimu a během 2 minut s ním nebude spárováno žádné zařízení, automaticky párovací režim ukončí. Pro nové uvedení Panorama 3 do párovacího režimu opakujte výše zmíněné kroky.*

## 8. Bowers & Wilkins Music App

Aplikace Bowers & Wilkins Music po otevření zobrazí hlavní stránku v jejíž spodní části jsou čtyři navigační ikony: Browse (procházet), Library (knihovna), Search (vyhledávat) a Settings (nastavení), přičemž žluté zvýrazněná ikona indikuje, na které stránce právě jste.

### 8.1 Procházet (Browse)

Stránka procházení aplikace Bowers & Wilkins Music App má obsah uspořádaný do několika řádků zobrazujících pás karet, které můžete prohledávat přejitím prstem doprava a doleva. Stránka procházení zobrazuje doporučené seznamy skladeb, které jsou generovány na základě vašeho hudebního vkusu či nedávno přehrávané hudby a také některé doporučené seznamy skladeb sestavené společností Bowers & Wilkins. Stránku také můžete posunout dolů, v její spodní části vybrat některou z konkrétních streamovacích služeb, jenž máte s aplikací propojenou a procházet pak nabídku této služby.

*Poznámka: Doporučení jsou tvořena na základě žánrů, umělců, alb a skladeb, jenž máte rádi. U jakéhokoli materiálu stačí kliknout na symbol srdíčka. Čím více oblíbených věcí si takto označíte, tím budou generovaná doporučení relevantnější. Informace o vašich preferencích zůstávají jen mezi vámi a vašim Bowers & Wilkins účtem – nejsou předávána vaší hudební streamovací službě.*

### 8.2 Knihovna

Knihovna seskupuje všechny materiál, který jste si označili jako oblíbený v aplikaci Bowers & Wilkins Music, nebo v některé z vašich streamovacích služeb. Zde můžete vyhledávat ve třech hlavních záložkách – Music, Podcasts a Radio. Pokud však máte nějaký materiál označen jako oblíbený pouze v nativní aplikaci nějaké streamovací služby, nelze zaručit, že bude v knihovně aplikace Bowers & Wilkins Music zobrazen.

### 8.3 Vyhledávání

Pomocí funkce Vyhledávání můžete v aplikaci Bowers & Wilkins Music hledat jakoukoli hudbu. Aplikace zobrazí výsledky vyhledávání ze všech propojených streamovacích služeb.

## 8.4 Nastavení

Na stránce Nastavení můžete konfigurovat různé kompatibilní produkty ve vaší domácnosti. Stránka nastavení je rozdělena do těchto sekcí:

- **Your Spaces (vaše zóny)**  
Zde jsou vypsané všechny vaše zóny – po kliknutí na danou zónu lze konfigurovat jednotlivá zařízení, která zóna obsahuje.
- **Your Account (váš účet)**  
Zde můžete modifikovat podrobnosti vašeho účtu a také s aplikací propojovat hudební služby.
- **Your Products (vaše produkty)**  
Zde můžete provádět změny konfigurace vašich přístrojů a také kontrolovat dostupné aktualizace firmware.

## 8.5 Propojení streamovacích služeb

Aplikace Bowers & Wilkins Music App vám umožní vybírat a spouštět hudbu z mnoha streamovacích služeb, jako jsou například Qobuz, Tidal, Deezer a další. Podmínkou však je, aby aplikace Bowers & Wilkins Music App byla s danou streamovací službou propojena. To se provádí kliknutím na 'Link services' v sekci 'Your Account'. Jednoduše klikněte a dále postupujte dle instrukcí, které se budou na displeji zobrazovat.

## 8.6 Okno přehrávání

Když je zvuk přehráván přes Panorama 3, můžete ovládat hlasitost, spuštění/pozastavení přehrávání, či přeskakování skladeb vpřed a vzad. Okno přehrávání lze minimalizovat kliknutím na šipku v levém horním rohu okna. Tím se přehrávací okno minimalizuje do spodní části hlavní stránky. Můžete jej kdykoli opět maximalizovat tím, že na něj kliknete.

## 9. Aktualizace firmware

Panorama 3 je produkt se síťovými funkcemi a tak pro něj občas mohou být dostupné aktualizace, vylepšující jeho provoz či dodávající nové funkce. Tyto aktualizace lze provádět po síti. Pokud je nějaká aktualizace dostupná, objeví se u ikony nastavení značka. Když půjdete na stránku nastavení, uvidíte hlášku "update is available", což znamená, že je možné si do přístroje stáhnout aktualizaci. Kliknutím na tuto hlášku spustíte process aktualizace pro všechny kompatibilní produkty, které aktualizaci vyžadují.

## 10. Nastavení zvuku

Zvuk každé reproduktory může být ovlivňován jejím umístěním – pokud je reproduktory blízko zdi, může docházet ke zdůraznění basů a pokud je reproduktory nasměrována jinam, než na posluchače, může to snižovat vnímání vysokých tónů. Aby bylo možné tyto vlivy kompenzovat a být tak při umístění flexibilnější, je u Panorama 3 k dispozici funkce doladění výšek a basů. Pro přístup k této funkci jděte v aplikaci do nastavení, zvolte zónu ve které je zařízení, jenž chcete doladovat a klikněte na něj. Basy i výšky můžete doladovat v rozsahu -6dB až +6dB. Tato nastavení se do Panorama 3 uloží a přístroj si je pamatuje i při odpojení od napájení. Nastavení je ale vymazáno, pokud provedete reset přístroje na tovární hodnoty.

## 11. Amazon Alexa

Panorama 3 je chytrý reproduktory se zabudovaným hlasovým asistentem Amazon Alexa. Tato služba však nemusí být dostupná ve všech regionech.

Pro povolení této funkce jděte v aplikaci Bowers & Wilkins Music App do nastavení a zvolte zónu ve které je Panorama 3 u kterého chcete funkci povolit. Klikněte na něj a zobrazí se jeho nastavení stránky. Zde můžete funkci Amazon Alexa zprovoznit tím, že připojíte svůj Amazon účet. Jednoduše klikněte a postupujte dle informací na displeji. Propojení Panorama 3 se svým Alexa účtem můžete kdykoli zrušit.

Chcete-li mluvit na hlasového asistenta Alexa, jednoduše řekněte klíčové slovo 'Alexa', nebo na přístroji Panorama 3 stiskněte tlačítko zvukového asistenta. Naopak podržením stisknutého tlačítka hlasového asistenta pak můžete zabudované mikrofony deaktivovat.

## 12. Ovládací prvky přístroje Panorama 3

Reproduktory Panorama 3 má na svém horním panelu tlačítka pro spuštění/pozastavení reprodukce, doladění hlasitosti a pro hlasového asistenta – viz obrázek 1.

Stisknutím Play/Pause se zastavuje či znovu spouští reprodukce.

Stisknutím tlačítka hlasitosti (plus či minus) lze nastavovat hlasitost reprodukce jakéhokoliv zdroje, který je právě přehráván. Při stisknutí a podržení tlačítka hlasitosti se bude úroveň plynule zvyšovat či bude klesat.

Stiskem multifunkčního tlačítka lze cyklicky přepínat mezi aktivními streamy a zdroji dostupnými pro Panorama 3. Podsvícení multifunkčního tlačítka Panorama 3 se mění podle různých režimů, ve kterých se aktuálně přístroj nachází. Stav podsvícení jsou uvedeny na obrázku 2.

Stisknutí tlačítka hlasového asistenta vám umožní hlasové ovládání, aniž byste museli říci klíčové slovo. Je však potřeba mít hlasové ovládání pro Panorama 3 povoleno v nastavení.

## 13. Čištění

Pokud váš Panorama 3 potřebuje očistit, můžete jeho povrch otřít jemnou a suchou utěrkou, na mřížku lze použít jemný kartáček. Chcete-li použít jakoukoli čisticí tekutinu, naneste ji na čisticí utěrku, nikoli přímo na přístroj. Čištění pak nejprve vyzkoušejte na malé ploše, protože některé čisticí produkty mohou poškodit povrch. Vyvarujte se používání čisticích prostředků s brusným účinkem a produktů obsahujících kyselinu, alkalické nebo antibakteriální složky.










## 14. Podpora

V případě, že budete potřebovat další asistenci nebo rady ohledně vašeho produktu, navštivte prosím stránky zákaznické podpory na adrese [www.bowerswilkins.com/support](http://www.bowerswilkins.com/support).

## 15. Informace o životním prostředí

Tento produkt automaticky řídí stav svého napájení, bez nutnosti jakéhokoliv zásahu. Je-li připojen k počítačové síti a není používán, snižuje se jeho spotřeba na méně než 2W.

Tento produkt vyhovuje mezinárodním směrnicím včetně, avšak nikoli výhradně, směrnice omezující používání nebezpečných látek v elektrických a elektronických zařízeních (RoHS), směrnice pro registraci, hodnocení, povolování a omezování chemických látek (REACH) a směrnice pro likvidaci vyřazených elektrických a elektronických zařízení (WEEE). Informace o správné recyklaci a likvidaci tohoto produktu vám poskytnou místní úřady zabývající se likvidací odpadu.

Stav kontrolky		Význam
Bliká bíle		Nabíjení systému
Pulzuje oranžově		Připraveno pro nastavování
Bliká oranžově		Probíhající aktualizace firmware
Pulzuje bíle		Načítání audio signálu
Pulzuje červeně		Chyba – kontaktujte technickou podporu
Svítil červeně		Chyba – kontaktujte technickou podporu
Bliká červeně		Probíhající reset na tovární hodnoty
Bliká modře		Bluetooth párování
Svítil modře		Bluetooth spojení navázáno

Obrázek 2  
Význam stavu kontrolky

## Specifikace

Technické přednosti	Kompatibilita s aplikací Bowers & Wilkins Music Apple AirPlay 2 Spotify Connect Bluetooth Alexa enabled Dolby TrueHD Discrete Dolby Atmos 3.1.2 HDMI eARC
Podpora audio formátů	Dolby Atmos Dolby Digital True HD Dolby Digital Plus LPCM
Bluetooth verze	5.0, class 2
Bluetooth kodeky	aptX™ Adaptive, AAC, SBC
AirPlay 2 kompatibilita	iPhone, iPad, a iPod touch s iOS 11.4 či novějším, Apple TV 4K či Apple TV (4th Generation) s tvOS 11.4 či novějším, Mac či PC s iTunes 12.8 či novějšími
Výkon zesilovače	400W (celkem)
Měniče	3x 19mm vysokotónový s titanovou membránou 6x 50mm středobasový s tkanou membránou ze skelných vláken 2x 50mm širokopásmový (Atmos) s tkanou membránou ze skelných vláken 2x 100mm basový s nízkým profilem
Frekvenční rozsah	43Hz–48kHz
Rozměry	65mm (v) x 1210mm (š) x 140mm (h)
Hmotnost	6.5kg
Terminály	1x HDMI ARC/eARC 1x Optický pro digitální audio (Toslink) 1x RJ45 Ethernet 1x USB-C (pro servisní účely)
Napájení	100V-240V, 50/60Hz
Pohotovostní spotřeba	Méně než 2 W

Termíny HDMI, HDMI High-Definition Multimedia Interface a HDMI logo jsou ochrannými známkami či registrovanými známkami HDMI Licensing Administrator, Inc. ve Spojených státech a dalších zemích. Dolby, Dolby Atmos a Dolby Digital Plus jsou registrovanými známkami Dolby Laboratories. Apple, AirPlay, Apple Music, iOS, iPhone, iPad, iPod touch, iTunes, Apple TV, Mac, macOS, OS X, a tvOS jsou registrovanými známkami Apple Inc., registrovanými ve Spojených státech a dalších zemích. Ochranná značka "iPhone" je použita v Japonsku s licencí od Aiphone KK. Spotify a Spotify Connect jsou ochrannými značkami Spotify AB. Dostupnost Spotify Connect závisí na vašem regionu, a lze ji spolu s dalšími detaily zkontrolovat na [www.spotify.com](http://www.spotify.com). Amazon, Alexa a všechna související loga jsou ochrannými známkami společnosti Amazon.com, Inc. či jejích dceřiných společností. Android je ochrannou známkou Google LLC. aptX je ochrannou známkou Qualcomm Technologies International, Ltd., registrovanou ve Spojených státech a dalších zemích. Bluetooth slovní označení a loga jsou registrovanými značkami vlastněnými Bluetooth SIG, Inc. a jakékoli jejich použití společností Bowers & Wilkins je na základě licence. Ostatní značky a obchodní názvy jsou majetkem příslušných vlastníků.

## Üdvözljük a Bowers & Wilkinsben és a Panorama 3-ban

Amikor John Bowers megalapította a Bowers & Wilkins céget, abban a hitben tette ezt, hogy a fantáziadús tervezés, az innovatív mérnöki munka és a fejlett technológia olyan kulcsok, amelyek lehetővé teszik az otthoni audio élvezetét. Ez a hit továbbra is inspirálja minden egyes termékünk tervezését.

A Panoráma 3 egy hálózatra csatlakoztatható, vezeték nélküli aktív hangszóró, amely rendkívül nagy teljesítményt nyújt. A Panoráma 3 elsősorban a Bowers & Wilkins Music alkalmazással történő konfigurálásra és vezérlésre szolgál. Az alkalmazás iOS és Android™ készülékekre egyaránt elérhető. Néhány gyakran használt vezérlési funkció a Panoráma 3 felső panelén található rejtett, világításig gombokkal is elérhető. A Panoráma 3 telepítése és konfigurálása kizárólag a Bowers & Wilkins Music alkalmazás segítségével lehetséges.

A Panoráma 3 lehetővé teszi a következőket:

- Hallgassa meg a tv-készülékek hangját HDMI® ARC/eARC csatlakozáson keresztül.
- Hallgassa meg a TV-készülékek hangját digitális audio optikai csatlakozáson keresztül.
- Olyan streaming szolgáltatásokból hallgathatsz hanganyagot, mint a Tidal, Qobuz, Deezer, Spotify®, Apple Music és sok más.
- Megfelelően engedélyezett Bluetooth-forrásból származó hangot hallgathat Bluetooth-on keresztül.
- Hallgassa az otthonában bárhol lejátszott hangot az otthoni hálózathoz csatlakoztatott bármely kompatibilis Bowers & Wilkins vezeték nélküli hangszórón. \*

A Bowers & Wilkins Music App szükséges ahhoz, hogy a Panoráma 3 készüléket az otthoni hálózathoz csatlakoztassa, és kapcsolatot létesítsen otthona egyéb termékeivel. A Bowers & Wilkins Home alkalmazás néhány vezérlési és konfigurációs funkciót is biztosít a használat során. Mielőtt elkezdené a Panoráma 3 telepítését, kérjük, töltsse le és telepítse a Bowers & Wilkins Home alkalmazást iOS vagy Android készülékére. A Bowers & Wilkins Home alkalmazáshoz iOS 11.4 vagy újabb, illetve Android V8.1 vagy újabb verzió szükséges. Az iOS vagy Android készüléken engedélyezve kell lennie a Bluetooth és a WiFi szolgáltatásoknak. A WiFi hálózat jelszavát is ismernie kell.

*Megjegyzés: A helymeghatározó szolgáltatásokat az Android-eszközökön a beállítási folyamat során engedélyezni kell. Ennek az az oka, hogy a kompatibilis Bowers & Wilkins termékek alacsony fogyasztású Bluetooth (BT-LE) formát használnak a szolgáltatási kommunikációhoz, amely Android-eszközökön csak akkor engedélyezett, ha a helyszolgáltatások engedélyezettek. A Bowers & Wilkins semmilyen helyszolgáltatási adatot nem használ fel marketing célokra.*

\* A funkciót 2022-ben kell engedélyezni

## 1. A kartondoboz tartalma

Panoráma 3  
Tápkábel  
HDMI kábel  
Fali konzol  
Irodalmi csomag

## 2. A Panoráma 3 helyének telepítése

A Panoráma 3 készüléket úgy tervezték, hogy működjön a TV-vel, ezért annak közelében kell elhelyezni. A TV-hez csatlakoztatva a Panoráma 3 működéséhez HDMI-csatlakozásra és hálózati tápegységre is szükség van, ezért a hálózati aljzat és a HDMI-csatlakozás elérhető közelségében kell elhelyezkednie. Ha a Panoráma 3 vezetékes kapcsolatot szeretne használni az otthoni hálózathoz, akkor a megfelelő hálózati (Ethernet) kábel elérhetőségében kell lennie.

A Panoráma 3 elhelyezhető polcra, asztalra vagy bútorra, vagy falra szerelhető a Panoráma 3-hoz mellékelt fali konzollal. Ha úgy dönt, hogy a Panoráma 3 egy polcra helyezi, győződjön meg róla, hogy a polc könnyen elbírja a súlyt. A hangteljesítmény csökkenhet, ha a rögzítő bútorok vagy a polclemek gyenge vagy rezonánsak.

*Megjegyzés: Ha a Panoráma 3 fali konzolra kell szerelni, akkor a konzolt a mellékelt utasításoknak megfelelően kell felszerelni. Ha nem biztos a fal alkalmasságában, vagy abban, hogy képes-e a fali konzol felszerelésére, vegyen igénybe szakember segítségét.*

A hangsugárzók túlnyomó többségéhez hasonlóan a Panoráma 3 is nem csak előre, hanem a tetejére, oldalra és hátra is sugároz hangenergiát. Következésképpen, ha a Panoráma 3 a helyiség határainak közelében vagy különösen a sarokban van elhelyezve, a basszus túlságosan hangsúlyosá válhat. Ha úgy találja, hogy a Panoráma 3 basszusa túlságosan hangsúlyos, előnyös lehet egy másik helyre áthelyezni, de a basszusszintet a Bowers & Wilkins Music App Settings menüben is beállíthatja.

## 2.1 Kapcsolatok

A hálózati csatlakozójelzaton kívül a Panoráma 3 hangszóró HDMI ARC/eARC csatlakozóval, optikai audiocsatlakozóval és USB-C csatlakozással is rendelkezik a szervizelés érdekében. A Panoráma 3 vezetékes (Ethernet) kapcsolathoz csatlakoztatható az Ethernet porton keresztül.

A TV-készülékhez való elsődleges javasolt csatlakoztatás a HDMI-csatlakozás, és azt javasoljuk, hogy a Panoráma 3-at a TV-készülék ARC-aljzatához csatlakoztassa. Ha TV-készüléke nem rendelkezik ARC- vagy eARC-kompatibilis HDMI-csatlakozással, akkor a Panoráma 3-at csatlakoztathatja a TV-hez az optikai digitális audiocsatlakozással.

*Megjegyzés: A Panoráma 3 legjobb funkcionáltságának és teljesítményének elérése érdekében a TV-vel azt javasoljuk, hogy engedélyezze az ARC-t (és az eARC-t, ha elérhető a TV-jén) és a CEC-t. Minden TV-márka eltérő módon engedélyezheti ezeket a funkciókat, ezért javasoljuk, hogy további információkért tekintse meg a TV-készülék kézikönyvét. Azt is javasoljuk, hogy a TV-készüléket állítsa áthaladási vagy bypass módba, hogy a legjobb hangteljesítményt élvezhesse a TV-hez csatlakoztatott egyéb eszközök Dolby® Atmos®-kompatibilis tartalmaiból.*

## 2.2 Kezdeti csatlakozás

Ha minden csatlakozás létrejött, a Bowers & Wilkins Music App telepítve van a mobilkészülékére, és a TV-készüléke úgy van beállítva, hogy a kiválasztott csatlakozási móddal működjön, a Panoráma 3 készen áll a beállításra.

A Panoráma 3 nem rendelkezik hálózati kapcsolóval, és a hálózatra csatlakoztatás után egy rövid indítási rutin fut le, mielőtt használatra kész lenne. Az indítási rutin magában foglalja a hangszóró indítását, a hálózathoz való csatlakozást és a streaming szolgáltatásokkal való kapcsolat létrehozását, ezért némi időt vehet igénybe. Ezalatt a többfunkciós gomb fehéren villog rendszerindításkor, és borostyánsárgán, amikor hálózati kapcsolatot létesít. Az indítási rutin befejeztével a hangszóró egy hangjelzést jásztik le.

Amikor a korábban nem használt Panoráma 3 először bekapcsol, automatikusan belép a beállítási módba, hogy lehetővé tegye a csatlakozást az otthoni hálózathoz. A beállítási üzemmódot a multifunkciós gomb lassú sárga impulzusvilágítása jelzi (lásd az 1. ábrát). A Panoráma 3 a Bowers & Wilkins Music App alkalmazásban is megjelenik, mint beállítható, akár felugró ablaként, akár az alkalmazás Beállítások oldalán a "Termék hozzáadása" opció kiválasztása után.

A Panoráma 3 teljesen automatikusan kezeli működési állapotát és energiafogyasztását, és húsz perc inaktivitás után energiatakarékos üzemmódba kapcsol. A Panoráma 3 soha nem kell kikapcsolni, azonban ha mégis szeretné, egyszerűen csak válassza le a hálózatról. A Panoráma 3 hálózati áram nélkül is megőrzi a beállításait.

## 3. Újrindítás / újraindítás

A Panoráma 3 hangszórót a hátlapján található reset gomb rövid megnyomásával és elengedésével indíthatja újra (lásd az 1. ábrát). A gomb megnyomásával a Panoráma 3 ki- és újraindul. A Panoráma 3 újraindításakor minden beállítás megmarad. A Panoráma 3 újraindítása a Bowers & Wilkins Music alkalmazás Beállítások oldalán keresztül is elvégezhető.

## 4. Gyári visszaállítás

Ha vissza szeretné állítani a Panoráma 3 a gyári alapbeállításokra, nyomja meg és tartsa lenyomva a reset gombot öt másodpercig. A reset gomb helye az 1. ábrán látható. A visszaállítási folyamatot egy piros többfunkciós gomb és egy hangjelzés jelzi; ez a folyamat leállítja a Panoráma 3-at. Az újraindításkor a Panoráma 3 beállítási módba lép. A Panoráma 3 újraindításakor minden beállítás törölődik. A Panoráma 3 visszaállítása a Bowers & Wilkins Music App Settings menüjén keresztül is elvégezhető.

## 5. Hálózati beállítások

Ha a Panoráma 3 beállítási módban van, és a multifunkciós gomb lassan sárgán pulzál, indítsa el a Bowers & Wilkins Music App-ot iOS vagy Android készüléken. Az alkalmazás utasításokkal végigvezeti Önt a beállítási folyamatot.

*Megjegyzés: A Panoráma 3 a beállítási folyamat során Bluetooth-kapcsolatot létesít a Bowers & Wilkins Home alkalmazást futtató készülékkel. A Bluetooth-jelek viszonylag rövid hatótávolsággal rendelkeznek, és a helyiség határai megszakíthatják őket, ezért javasoljuk, hogy a Panoráma 3 és a Bowers & Wilkins Home alkalmazással rendelkező eszköz a beállítási folyamat során maradjon a termék közelében.*

A Bowers & Wilkins Music App felhasználói fiók létrehozását igényli. Az alkalmazás első letöltésekor megkérjük, hogy jelentkezzen be a fiókjába, ha már rendelkezik fiókkal, vagy hozzon létre egy fiókot. Be kell adnia egy felhasználónevet és egy jelszót. A beállítás előtt módosíthatja a fiókjához tartozó értesítéseket is. Miután létrehozta a fiókot, az e-mail címét az e-mail címére küldött linke kattintva kell hitelesítenie.

A Bowers & Wilkins Music alkalmazás először megkeresi a beállítási módban lévő termékeket, majd automatikusan felkéri a beállítási folyamat megkezdésére. Alternatívaként a beállítások menüből is beállíthat egy új terméket, ha a "Termékek" menüpont alatt a "Termék hozzáadása" lehetőséget választja.

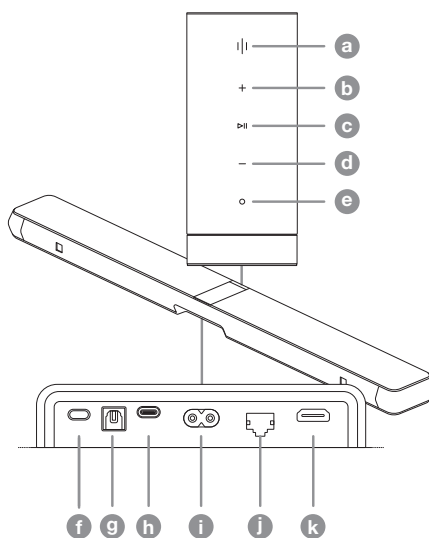


Diagram 1  
Panoráma 3 vezérlőpanel és csatlakozók

### Gombok / Csatlakozók

- a Többfunkciós
- b Hangerő fel
- c Lejátszás/Szünet
- d Lehalkít
- e Voice Assistant
- f Visszaállítás
- g Digitális bemenet
- h Szolgáltatás
- i Erő
- j Ethernet
- k HDMI (ARC/eARC)

A Bowers & Wilkins Music alkalmazás beállítási folyamata megkérdezi, hogy melyik "térben" kívánja használni a Panoráma 3. A javasolt Space nevek listája megtalálható, de saját nevet is létrehozhat. Ha kiválasztotta vagy létrehozta a térnevet, az alkalmazás megkéri, hogy nyomja meg a Panoráma 3 tetején található többfunkciós gombot a kiválasztás megerősítéséhez.

Ha a Panoráma 3 vezeték nélküli hálózati kapcsolatot kíván használni, a következő beállítási lépés a Panoráma 3 otthoni WiFi hálózatához való csatlakoztatása. Az alkalmazás meg fogja kérni a megfelelő WiFi hálózat megerősítését, és megkéri, hogy adja meg a jelszavát. Alternatív megoldásként, ha a Panoráma 3 Ethernet-kábellel csatlakozik a hálózati útválasztóhoz, a beállítási folyamat ezen szakaszát a rendszer kihagyja.

*Megjegyzés: Ha már más Bowers & Wilkins kompatibilis termékek is csatlakoznak a WiFi hálózathoz, a Panoráma 3 nem kéri a WiFi jelszó megadását, mivel azt a Quick Connect funkcióval biztonságosan megosztja.*

A WiFi hálózat konfigurálása és a helykiválasztás befejezése után konfigurálnia kell a TV-hez való csatlakozáshoz kiválasztott bemenetet. Az alkalmazás végigvezeti Önt a TV beállításán. Ha HDMI ARC/eARC segítségével csatlakozik a TV-hez, a Bowers & Wilkins Music App megmutatja, hogyan csatlakoztassa a Panoráma 3-at a TV-hez, és engedélyezze a CEC-t. Ez lehetővé teszi a Panoráma 3 hangjának vezérlését a TV vagy a set-top box távirányítójával. Ha a TV-t az optikai csatlakozóval csatlakoztatta, a Bowers & Wilkins Music App megmutatja, hogyan csatlakoztathatja a Panoráma 3-at a TV-hez, és hogyan kapcsolhatja ki a TV belső hangszóróit. Ezután a rendszer megkérdezi, hogy szeretné-e, hogy a Panoráma 3 megtanulja-e a TV távirányítójának infravörös parancsait, lehetővé téve ezzel a távirányítóval a Panoráma 3 vezérlését.

*Megjegyzés: Ha a Panoráma 3 nem kap infravörös parancsokat a beállítási folyamat során, előfordulhat, hogy engedélyeznie kell az infravörös támogatást a TV-n lévő külső eszközökön. További információért olvassa el a TV-készülék kézikönyvét.*

## 6. Önálló Bluetooth beállítás

Lehetőség van a Panoráma 3 Bluetooth-on keresztül történő használatára anélkül, hogy a terméket hálózathoz kellene csatlakoztatni. Amikor a Panoráma 3 beállítási módban van, a multifunkciós gomb lassan sárgán pulzál, nyomja meg és tartsa lenyomva a multifunkciós gombot 5 másodpercig. A Panoráma 3 lejtsza a hangutasítást, és a többfunkciós gomb kék színnel villogni fog. Ez azt jelzi, hogy a Panoráma 3 Bluetooth párosítási módban van, és a forráseszköz Bluetooth menüjén keresztül csatlakoztatható. A Panoráma 3 a Bluetooth menüben "Panoráma 3" néven lesz elérhető.

*Megjegyzés: Ebben a konfigurációban a termék már nem helyezhető hálózatra. Ahhoz, hogy a Panoráma 3 önálló Bluetooth üzemmódban hálózatra lehessen csatlakoztatni, a termék hátoldalán található visszaállító gomb segítségével gyári alaphelyzetbe kell állítani a terméket (lásd a 4. szakaszt).*

A Panoráma 3 több eszközzel is párosítható, ha a többfunkciós gombot 5 másodpercig lenyomva tartva lép párosítási módba. A Panoráma 3 legfeljebb nyolc eszközzel való párosítást támogat.

*Megjegyzés: A Panoráma 3 2 percig marad párosítási*

*üzemmódban, és ha ez idő alatt nem történik párosítás, akkor a rendszer kikapcsol. A párosítási mód béréséhez nyomja meg és tartsa lenyomva a többfunkciós gombot.*

## 7. A Panoráma 3 használata

### 7.1 Terek

A Spaces a Bowers & Wilkins Music App és a kompatibilis termékek alapkonceptója. A "Space" egy szoba vagy egy meghatározott terület otthonában, ahol zenét hallgat. A Panoráma 3 nem használható más eszközzel együtt ugyanabban a térben.

### 7.2 Dolby támogatás

A Panoráma 3 a következő formátumokban támogatja a Dolby Digital hangot:

- Dolby Digital
- Dolby Digital Plus™
- Dolby Atmos
- Dolby TrueHD

Mindezen hangformátumok esetében a Panoráma 3 automatikusan optimalizálja a lejátszást, és a lehető legjobb hangteljesítményt nyújtja.

### 7.3 Zene streamelése

A Panoráma 3 segítségével hangot játszhat le olyan streaming szolgáltatásokból, mint a Spotify, az Apple Music, a Qobuz és a Tidal. Ezeket közvetlenül a Bowers & Wilkins Music App-ból, a Spotify Connect@-ból, az AirPlay@ 2-ből vagy a Bluetooth-ból lehet streamelni.

### 7.4 Audió lejátszása a Bowers & Wilkins Music App-on keresztül

Miután csatlakoztatta a terméket, és engedélyezte a zenei streaming szolgáltatást az alkalmazáson belül, böngészhet a streaming szolgáltatásból származó zenék között. Ha kiválasztotta a lejátszani kívánt zeneszámot, egyszerűen kattintson a "Lejátszás" gombra. Ha csak egyetlen hely van, a zene automatikusan abban a helyiségben fog lejátszódni. Ha több térrel rendelkezik, a "Lejátszás" gomb megnyomása után megjelenik az otthonában rendelkezésre álló terek listája, és a lejátszani kívánt térre koppintva a kiválasztott térben fog lejátszódni a zene.

### 7.5 Audió lejátszása a Spotify Connecten keresztül

Használja telefonját, táblagépet vagy számítógépet a Spotify távirányítójaként. A hogyanról a <https://www.spotify.com/connect> oldalon tájékozódhat.

### 7.6 Hang lejátszása az AirPlay-en keresztül

Az AirPlay lehetővé teszi, hogy az Apple mobil, laptop vagy asztali készülékek alkalmazásai hangot közvetítsenek a hálózaton keresztül bármely AirPlay-kompatibilis hangszóróra, például a Panoráma 3. Az AirPlay-kompatibilis alkalmazások megjelenítik az AirPlay ikont.

Az AirPlay használatához nyissa meg a használni kívánt alkalmazást, és válassza ki a lejátszani kívánt tartalmat. Koppintson az AirPlay ikonra az elérhető eszközök listájának megjelenítéséhez, majd a használni kívánt Space nevére.

## 7.7 Hang lejátszása a Bluetooth-on keresztül

A Bluetooth lehetővé teszi, hogy a mobil, laptop vagy asztali készülékek audioalkalmazásai vezeték nélküli kapcsolaton keresztül streameljenek anyagokat a Panoráma 3.

A Bluetooth használatához először párosítania kell a készülékét a Panoráma 3-nal. A Bowers & Wilkins Music App-on válassza a Settings (Beállítások) lehetőséget, majd válassza ki a Space (Tér) lehetőséget, amely tartalmazza a párosítani kívánt eszközt. Az 'Új eszköz párosítása' kiválasztásával a Panoráma 3 Bluetooth párosítási módba kerül. Lépjen be a készülék Bluetooth menüjébe, és máris párosíthatja a Panoráma 3. A Panoráma 3 a Bluetooth párosítási menüben található úrszervező nevére fogja használni. A párosítás után a hangot a forráskészülék bármely alkalmazásán keresztül lejátszhatja. A Bowers & Wilkins Music App-ban láthatja a Panoráma 3-nal párosított eszközök listáját.

*Megjegyzés: A Panoráma 3 2 percig marad párosítási üzemmódban, és ha ez idő alatt nem történik párosítás, akkor a rendszer kikapcsol. A párosítási módba való újbóli belépéshez ismétlje meg a fenti lépéseket.*

## 8. Bowers & Wilkins zenei alkalmazás

A Bowers & Wilkins Music alkalmazás megnyílik a főoldalon. Az oldal alján négy navigációs ikon található az alkalmazás fő részeinek navigációs ikonjai számára. Ezek a következők: böngészés, könyvtár, keresés és beállítások, a sárgával világító ikon jelzi, hogy melyik oldalon tartózkodik.

### 8.1 Böngésszen az oldalon.

A Bowers & Wilkins Music App böngészőoldalán a tartalmak több sorban, szalagos nézetben vannak elrendezve, amelyek között jobbra és balra csúsztatással kereshet. A böngészőoldalon az Ön zenei ízlése, a legutóbb lejátszott zenéi és néhány, a Bowers & Wilkins által kurátorként kezelt ajánlott lejátszási lista alapján generált ajánlott lejátszási listák láthatók. Lefelé görgetve böngészhet az alkalmazással összekapcsolt adott streamingszolgáltatások zenéi között is.

*Megjegyzés: Az ajánlások az Ön által kedvelt műfajok, előadók, albumok és zeneszámok alapján készülnek. Bármely anyag kedveléséhez egyszerűen kattintson a szív szimbólumra. Minél több tetszik, annál jobb lesznek az ajánlások. Az ajánlások Önnél és a Bowers & Wilkins fiókjánál maradnak, és nem kapcsolódnak a zenei streaming szolgáltatáshoz.*

### 8.2 Könyvtár

A Könyvtár oldal összegyűjti az összes olyan anyagot, amelyet a Bowers & Wilkins Music App-ban vagy bármelyik streaming szolgáltatásban szeretett. Itt zenék, podcastok és rádiók alapján kereshetsz tartalmakat. Ha egy streaming szolgáltatás natív alkalmazásában tetszett meg az anyag, előfordulhat, hogy az nem jelenik meg azonnal a Bowers & Wilkins Music App könyvtárában.

### 8.3 Keresés

A Bowers & Wilkins Music App keresési funkciójával bármilyen zenét kereshet. Az alkalmazás az összes összekapcsolt streaming szolgáltatásból keres eredményeket.

## 8.4 Beállítások

A Beállítások oldalakon több terméket is konfigurálhat otthonán belül. A beállítások oldal különböző szakaszokra van osztva:

- **Az Ön helyiségei**  
Ez felsorolja az otthonában található összes helyiséget, és ezen keresztül konfigurálhatja az egyes eszközöket.
- **Az Ön fiókja**  
Ebben a részben módosíthatja fiókja adatait, és összekapcsolhatja az alkalmazáshoz tartozó zenei szolgáltatásokat.
- **Az Ön termékei**  
Itt indíthat el minden olyan frissítést, amely az otthonában lévő bármelyik termékhez elérhető.

## 8.5 Streaming szolgáltatások összekapcsolása

A Bowers & Wilkins Music App segítségével számos streaming szolgáltatásból, például a Qobuz, a Tidal, a Deezer és sok más szolgáltatásból választhat és játszhat le zenét. Ehhez a Bowers & Wilkins Music alkalmazást össze kell kapcsolni a zenei streaming szolgáltatással. Ezt a beállításokban teheti meg a "Szolgáltatások összekapcsolása" gombon keresztül a "Fiókja" menüpontban. Egyszerűen koppintson rá, és kövesse a képernyőn megjelenő utasításokat.

## 8.6 Játékos nézet

Amikor a Panoráma 3 hang lejátszik, szabályozhatja a hangerőt, lejátszhatja/szüneteltetheti a hangot, előre és hátra ugorhat. A lejátszó nézet minimalizálható a képernyő bal felső részén található lefelé mutató nyíl megnyomásával. Ez a lejátszó nézetet a főképernyő aljára minimalizálja. Ez bármikor maximalizálható a mini lejátszónézetre való koppintással.

## 9. Szoftverfrissítés

A Panoráma 3 egy hálózatra csatlakoztatott hangszóró, és mint ilyen, a megbízhatóságot javítani lehet, valamint új funkciókat és jellemzőket lehet majd a szoftverfrissítéseken keresztül elérni. Ha a hálózaton lévő bármely termékhez elérhető szoftverfrissítés, a beállítások ikonján egy címke jelenik meg. A beállítások oldalra lépve láthatja, hogy a frissítés elérhető. Erre a gombra kattintva a hálózaton lévő összes frissítést igénylő termék frissítése elindul.

## 10. Hangbeállítások

Bármely hangszóró elhelyezése hatással lehet a hangzásra, a hangszóró falhoz közeli elhelyezése túlságosan kihangsúlyozhatja a basszust, és ha a hangszóró nem Ön felé néz, a magas frekvenciájú tartalom lecsökkenhet. Ezért lehetőség van a Panoráma 3 mély- és magas hangok beállításának módosítására, hogy nagyobb rugalmasságot biztosítson a helyiségen belüli elhelyezésben. Ehhez a hozzáféréshez válassza a beállításokat, majd annak a térnek a nevét, amelynek a termékét be szeretné állítani, majd válassza ki a készüléket. Ezután beállíthatja a basszust és a magasságot -6dB és +6dB között. A beállításokat a Panoráma 3 tárolja, amikor a tápellátás megszakad, de a gyári visszaállítás után visszaáll.

## 11. Amazon Alexa

A Panoráma 3 egy intelligens hangszóró, amelybe az Amazon Alexa hangasszisztens van beépítve. A funkció engedélyezéséhez lépjen a Bowers & Wilkins Music App-on belül a készülékszintű beállítások oldalára. Válassza a Beállítások menüpontot, majd válassza ki azt a Panoráma 3 tartalmazó teret, amelyen engedélyezni kívánja a hangasszisztent. Ezután válassza ki a készüléket. Megjelenik a készülék beállításai oldal. Itt engedélyezheti az Amazon Alexa-t az Amazon fiókjának összekapcsolásával. Egyszerűen kattintson a linke, és kövesse az utasításokat. A Panoráma 3 összekapcsolását bármikor megszüntetheti az Alexa-fiókjával.

Ha Alexával szeretne beszélni, egyszerűen mondja ki az „Alexa” indítószót, vagy nyomja meg a Voice Assistant gombot a Panorama 3-on. A Voice Assistant gomb lenyomásával és nyomva tartásával elnémulnak az Alexa mikrofonok.

## 12. Panoráma 3 vezérlők

A Panorama 3 felső hátsó panelén gombok találhatók, amelyek lejátszás/szünet vezérlést, hangerőszabályozást és hangasszisztent biztosítanak – lásd az 1. ábrát.

A lejátszás/szünet megnyomásával a hanglejátszás felváltva megállítható és újraindítható.

A hangerő felfelé vagy lefelé történő megnyomásával beállíthatja a lejátszott hang hangerősségét. A és gombok folyamatos lenyomásával és nyomva tartásával a hangerő folyamatosan növelhető vagy csökkenthető.

A többfunkciós gomb megérintésével a Panoráma 3 számára elérhető aktív streamek és források végigjátszhatók és lejátszhatók. A Panoráma 3 multifunkciós gombjának megvilágítása változik, hogy jelezze a különböző működési állapotokat. A világítás a 2. ábrán látható.

A Voice Assistant gomb megnyomásával beszélhet a hangsegéddelel anélkül, hogy ki kellene mondania a kiváltó szót. Ehhez a funkcióhoz a Panoráma 3 engedélyezni kell a hangszolgáltatást.

## 13. Tisztítás

Ha a Panoráma 3 tisztítani kell, akkor a felső felületét tiszta, szőszmentes ruhával törölje át, a rácsot pedig puha kefével kefélje át. Ha bármilyen tisztítófolyadékot szeretne használni, azt a tisztítókendőre vigye fel, és ne közvetlenül a Panoráma 3. Először egy kis területen próbálja ki, mivel egyes tisztítószeresek károsíthatják a felületek egy részét. Kerülje a csiszoló hatású, illetve savakat, lúgokat vagy antibakteriális szereket tartalmazó termékeket.

## 14. Támogatás

Ha további segítségre vagy tanácsadásra van szüksége a termékkel kapcsolatban, kérjük, látogasson el a támogatási oldalra itt: [www.bowerswilkins.com/support](http://www.bowerswilkins.com/support).

## 15. Környezeti információk

Ez a termék automatikusan, mindenféle beavatkozás nélkül kezeli az energiaellátás állapotát. Ha a készülék hálózathoz csatlakozik, és nem használják, az energiafogyasztás automatikusan 2 W alá csökken.

Ez a termék megfelel a nemzetközi irányelveknek, többek között, de nem kizárólagosan a veszélyes anyagok korlátozásáról (RoHS) az elektromos és elektronikus berendezésekben, a vegyi anyagok regisztrálásáról, értékeléséről, engedélyezéséről és korlátozásáról (REACH) és az elektromos és elektronikus berendezések hulladékának ártalmatlanításáról (WEEE) szóló irányelveknek. A termék megfelelő újrahasznosításával vagy ártalmatlanításával kapcsolatos útmutatásért forduljon a helyi hulladékkezelő hatóságához.

Villogó fehér		Indítás folyamatban
Pulzáló borostyán		Készen áll a beállításra
Pulzáló borostyán		Készen áll a beállításra
Villogó sárga		Firmware frissítés folyamatban
Pulzáló fehér		Audio pull folyamatban
Pulzáló piros		Hiba - lépjen kapcsolatba az ügyfélszolgálattal
Egyszínű piros		Hiba - lépjen kapcsolatba az ügyfélszolgálattal
Vörös villogás		Gyári visszaállítás folyamatban
Villogó kék		Bluetooth párosítási mód
Egyszínű kék		Bluetooth kapcsolat létrejött

Diagram 2  
Többfunkciós jelzofények

## Műszaki adatok

Műszaki jellemzők	Kompatibilis a Bowers & Wilkins Music App alkalmazással Apple AirPlay 2 Spotify Connect Bluetooth Alexa engedélyezve Dolby TrueHD Diszkrét Dolby Atmos 3.1.2 HDMI eARC
Audio formátum támogatás	Dolby Atmos Dolby Digital True HD Dolby Digital Plus LPCM
Bluetooth	5.0, osztály 2
Bluetooth kodekek	aptX™ Adaptive AAC SBC
AirPlay 2 kompatibilitás	iPhone, iPad és iPod touch iOS 11.4 vagy újabb verzióval, Apple TV 4K vagy Apple TV (4. generáció) tvOS 11.4 vagy újabb verzióval, Mac vagy PC iTunes 12.8 vagy újabb verzióval
Erősítő teljesítmény kimenet	400W
Meghajtó egységek	3x 19 mm-es (0,75 hüvelykes) T títanium dóm magassugárzó 6x 50 mm (2") szőtt üvegszál kúp basszus/közép tartomány 2x 50mm (2") szőtt üvegszál kúpos atmos meghajtó egység 2x 100 mm (4") alacsony profilú basszusgitár
Frekvenciaválasz	43Hz–48kHz
Méret	65 mm (h) x 1210 mm (sz) x 140 mm (m)
Súly	6.5kg
Kapcsolatok	1x HDMI ARC/eARC 1x digitális audio bemenet (Toslink) 1x RJ45 Ethernet 1x USB-C (csak szolgáltatás)
Bemeneti feszültség	100V-240V, 50/60Hz
Energiafogyasztás	2 watt alatt

A HDMI és HDMI High-Definition Multimedia Interface kifejezések, valamint a HDMI embléma a HDMI Licensing Administrator, Inc. védjegyei vagy bejegyzett védjegyei az Egyesült Államokban és más országokban. A Dolby, Dolby Atmos és Dolby Digital Plus a Dolby Laboratories bejegyzett védjegyei. Az Apple, AirPlay, Apple Music, iOS, iPhone, iPad, iPod touch, iTunes, Apple TV, Mac, macOS, OS X és tvOS az Apple Inc. bejegyzett védjegyei az Egyesült Államokban és más országokban. Az „iPhone” védjegyet Japánban az Aiphone KK engedélyével használják. A Spotify és a Spotify Connect a Spotify AB védjegyei. A Spotify Connect elérhetősége az Ön régiójától függhet. További részletekért látogasson el a [www.spotify.com](http://www.spotify.com) oldalra. Az Amazon, az Alexa és az összes kapcsolódó logó az Amazon.com, Inc. vagy leányvállalatainak védjegye. Az Android a Google LLC védjegye. Az aptX a Qualcomm Technologies, Inc. és/vagy leányvállalatai terméke. Az aptX a Qualcomm Technologies International, Ltd. Egyesült Államokban és más országokban bejegyzett védjegye. A Bluetooth szövegdjegy és logók a Bluetooth SIG, Inc. tulajdonában lévő bejegyzett védjegyek, és a Bowers & Wilkins licenc alapján használja ezeket a védjegyeket. Az egyéb védjegyek és kereskedelmi nevek a megfelelő tulajdonosaik.



## Witamy w Bowers & Wilkins i Panorama 3

Kiedy John Bowers zakładał firmę Bowers & Wilkins, robił to w przekonaniu, że pomysłowy projekt, innowacyjna inżynieria i zaawansowana technologia to klucze, które mogą uwolnić radość z odtwarzania dźwięku w domu. Ta wiara nadal jest inspiracją dla każdego projektowanego przez nas produktu.

Panorama 3 to sieciowy, bezprzewodowy głośnik aktywny, który zapewnia niezwykle wysoką wydajność. Jest przeznaczony przede wszystkim do konfiguracji i sterowania za pomocą aplikacji Bowers & Wilkins Music. Aplikacja jest dostępna zarówno na urządzenia z systemem iOS, jak i Android™. Niektóre, często używane funkcje sterowania są również dostępne za pośrednictwem niewidocznych, aż do podświetlenia, przycisków na górnym panelu Panorama 3. Instalacja i konfiguracja urządzenia są możliwe tylko za pomocą aplikacji Bowers & Wilkins Music.

Panorama 3 pozwoli Ci:

- Słuchać dźwięku z telewizora z telewizorów za pośrednictwem połączenia HDMI® ARC/eARC.
- Słuchać dźwięku z telewizora z telewizorów za pośrednictwem cyfrowego optycznego połączenia audio.
- Słuchanie muzyki z serwisów streamingowych, takich jak Tidal, Qobuz, Deezer, Spotify®, Apple Music i wielu innych.
- Odtwarzanie audio przez Bluetooth z odpowiednio połączonych urządzeń źródłowych obsługujących ten standard komunikacji bezprzewodowej.
- Odtwarzanie muzyki w dowolnym miejscu w domu na dowolnym głośniku bezprzewodowym Bowers & Wilkins podłączonym do sieci domowej.\*

Aplikacja Bowers & Wilkins Music jest wymagana do połączenia urządzenia Panorama 3 z siecią domową i nawiązania połączenia z innymi produktami w domu. Aplikacja Bowers & Wilkins Home zapewnia również pewne funkcje sterowania i konfiguracji podczas użytkowania. Przed rozpoczęciem instalacji urządzenia Panorama 3 pobierz i zainstaluj aplikację Bowers & Wilkins Home na urządzeniu z systemem iOS lub Android. Aplikacja Bowers & Wilkins Home wymaga systemu iOS 11.4 lub nowszego albo Androida w wersji 8.1 lub nowszej. Usługi Bluetooth i Wi-Fi muszą być włączone na urządzeniu z systemem iOS lub Android. Musisz także znać hasło do sieci Wi-Fi.

*Uwaga: Usługi lokalizacyjne muszą być włączone na urządzeniach z Androidem podczas procesu konfiguracji. Dzieje się tak, ponieważ kompatybilne produkty Bowers & Wilkins wykorzystują do komunikacji usługowej energooszczędną wersję technologii Bluetooth (BT-LE), która na urządzeniach z systemem Android jest dostępna tylko wtedy, gdy dozwolone są usługi lokalizacji. Bowers & Wilkins nie wykorzystuje żadnych danych z usług lokalizacyjnych do celów marketingowych.*

\*Funkcja zostanie włączona w 2022 r.

## 1. Zawartość opakowania

Panorama 3  
Przewód zasilający  
Przewód HDMI  
Uchwyt ścienny  
Instrukcja obsługi

## 2. Instalacja Panorama 3

Twoja Panorama 3 została zaprojektowana do pracy z Twoim telewizorem i dlatego musi być umieszczona blisko niego. Po podłączeniu do telewizora Panorama 3 wymaga do działania zarówno połączenia HDMI, jak i zasilania sieciowego, dlatego musi znajdować się w zasięgu gniazdzka sieciowego i złącza HDMI. Jeśli Panorama 3 ma korzystać z połączenia przewodowego z siecią domową, musi znajdować się w zasięgu odpowiedniego kabla sieciowego (Ethernetowego).

Twoja Panorama 3 może być umieszczona na półce, stole lub innym meblu. Można zamontować ją także na ścianie na dedykowanym uchwycie ściennym, który znajduje się w zestawie z urządzeniem. Jeśli zdecydujesz się umieścić głośnik Panorama 3 na półce, upewnij się, że z łatwością utrzyma ona jego ciężar. Ponadto jakość dźwięku głośników może zostać zmniejszona, jeśli meble lub półki, na których zostanie ustawiony, będą zbyt cienkie lub będą rezonowały.

*Uwaga: Jeśli Panorama 3 ma być zamontowany na uchwycie ściennym, należy zainstalować wspornik zgodnie z dołączoną instrukcją. Jeśli nie masz pewności, co do właściwości ściany lub swoich umiejętności do zainstalowania półki lub wspornika, powinieneś poszukać profesjonalnej pomocy.*

Podobnie jak większość głośników, Twoja Panorama 3 emituje energię dźwiękową nie tylko do przodu, ale także do góry, z boku i tyłu. W związku z tym, jeśli głośnik znajduje się blisko granic pomieszczenia, a w szczególności w rogu, bas może zostać nadmiernie zaakcentowany. Jeśli okaże się, że bas jest zbyt mocno słyszalny, przeniesienie urządzenia w inne miejsce może przynieść korzystne efekty. Możesz również wyregulować poziom basów za pomocą menu ustawień w aplikacji Bowers & Wilkins Music.

### 2.1 Podłączenie

Oprócz gniazdzka sieciowego, głośnik Panorama 3 ma również złącze HDMI ARC/eARC, optyczne złącze audio i złącze USB-C do celów serwisowych. Możliwe jest podłączenie Panoramy 3 do sieci przewodowej (Ethernet) za pomocą portu Ethernet.

Podstawowym połączeniem Panoramy 3 z telewizorem jest połączenie za pomocą przewodu HDMI i w ten sposób zalecamy podłączenie urządzenia do telewizora. Jeśli Twój telewizor nie jest wyposażony w złącze HDMI obsługujące ARC lub eARC, możesz podłączyć Panorama 3 do telewizora za pomocą optycznego cyfrowego złącza audio.

*Uwaga: Aby uzyskać najlepszą funkcjonalność i wydajność Panoramy 3 z telewizorem, zalecamy włączenie ARC (i eARC jeśli jest dostępne w telewizorze) i CEC. Każda marka telewizora ma inny sposób włączania tych funkcji, dlatego zalecamy zapoznanie się z instrukcją obsługi telewizora, aby uzyskać więcej informacji. Zalecamy również ustawienie telewizora na tryb pass-through lub bypass, aby cieszyć się najlepszą jakością dźwięku z zawartości z obsługą Dolby® Atmos® z innych urządzeń podłączonych do telewizora.*

## 2.2 Pierwsze połączenie

Po nawiązaniu wszystkich połączeń, zainstalowaniu aplikacji Bowers & Wilkins Music na urządzeniu mobilnym i skonfigurowaniu telewizora do pracy z wybraną metodą połączenia, Panorama 3 jest gotowa do skonfigurowania.

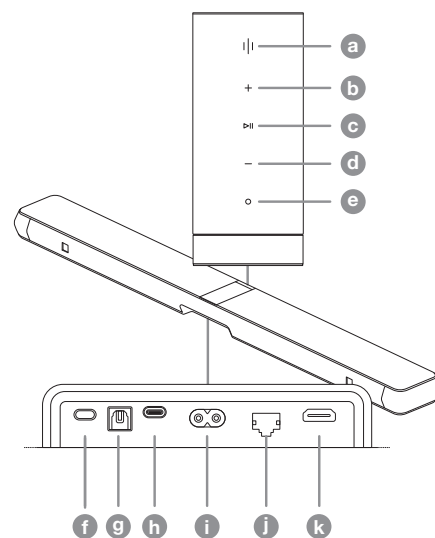
Twój Panorama 3 nie ma wyłącznika zasilania sieciowego i po krótkim rozruchu zacznie działać, gdy tylko zostanie podłączony do gniazda sieciowego. Procedura uruchamiania obejmuje uruchomienie głośnika, połączenie z siecią i nawiązanie połączenia z dowolnymi usługami przesyłania strumieniowego, dlatego może to zająć trochę czasu. W tym czasie przycisk wielofunkcyjny będzie migał na biało podczas uruchamiania systemu i na bursztynowo podczas nawiązywania połączenia z siecią. Po zakończeniu procedury uruchamiania zostanie odtworzony sygnał dźwiękowy.

Jeżeli Panorama 3 nie był wcześniej używany i zostanie po raz pierwszy włączony, automatycznie przejdzie w tryb konfiguracji, aby umożliwić jego połączenie z siecią domową. Tryb konfiguracji jest sygnalizowany powolnym pomarańczowym pulsującym podświetleniem przycisku wielofunkcyjnego (patrz Rysunek 1). Panorama 3 pojawi się również w aplikacji Bowers & Wilkins Music, dostępny do skonfigurowania, jako wyskakujące okno lub po wybraniu „Add product” (Dodaj produkt) w ustawieniach aplikacji.

Twój Panorama 3 zarządza stanem pracy oraz zużyciem energii i po 20 minutach bezczynności przejdzie w tryb oszczędzania energii. Nie ma potrzeby wyłączania Panoramy 3, jednak jeśli chcesz, po prostu odłącz go od gniazda sieciowego. Urządzenie zachowa swoje ustawienia nawet bez dostępu do zasilania.

## 3. Zrestartuj / Uruchom ponownie

Można ponownie uruchomić Panoramę 3, naciskając i zwalniając przycisk resetowania znajdujący się na jego tylnym panelu (patrz Rysunek 1). Naciśnięcie przycisku spowoduje wyłączenie i ponowne uruchomienie Panoramy 3. Wszystkie ustawienia zostaną zachowane po ponownym uruchomieniu urządzenia. Możesz także zrestartować Panoramę 3 za pomocą aplikacji Bowers & Wilkins Music w oknie Ustawień.



Rysunek 1  
Panel sterowania i złącza

## 4. Przywrócenie ustawień fabrycznych

Jeśli chcesz przywrócić Panoramę 3 do ustawień fabrycznych, naciśnij i przytrzymaj przycisk resetowania przez 5 sekund. Lokalizację przycisku resetowania można zobaczyć na Rysunku 1. Proces resetowania zostanie wskazany przez czerwony przycisk wielofunkcyjny i sygnał dźwiękowy; ten proces spowoduje zamknięcie Panoramy 3. Panorama 3 zostanie wyłączony, a po ponownym uruchomieniu wejdzie w tryb konfiguracji. Po zresetowaniu Panoramy 3 wszystkie ustawienia zostaną usunięte. Możesz także zresetować urządzenie za pomocą aplikacji Bowers & Wilkins Music w menu Ustawienia.

## 5. Ustawienia Sieci

Gdy Panorama 3 jest w trybie konfiguracji, a jego wielofunkcyjny przycisk pulsuje powoli na pomarańczowo, uruchom aplikację Bowers & Wilkins Music na urządzeniu z systemem iOS lub Android. Aplikacja poprowadzi Cię przez proces konfiguracji za pomocą podpowiedzi.

*Uwaga: Podczas procesu konfiguracji Panorama 3 wykorzystuje połączenie Bluetooth z urządzeniem, które ma uruchomioną aplikację Bowers & Wilkins Home. Sygnały Bluetooth mają stosunkowo krótki zasięg i mogą być przerywane przez ściany pomieszczenia, dlatego zalecamy, aby Panorama 3 i urządzenie z aplikacją Bowers & Wilkins Home znajdowały się blisko siebie podczas procesu konfiguracji.*

Aplikacja Bowers & Wilkins Music wymaga utworzenia konta użytkownika. Przy pierwszym pobraniu aplikacji zostaniesz poproszony o zalogowanie się na konto, jeśli już je posiadasz, lub o utworzenie nowego konta. Należy wówczas wprowadzić nazwę użytkownika i hasło. Możesz także zmodyfikować powiadomienia dla swojego konta przed konfiguracją. Po utworzeniu konta konieczna jest weryfikacja adresu e-mail, przez kliknięcie w link, który zostanie wysłany na adres e-mail podany przy rejestracji.

Aplikacja Bowers & Wilkins Music najpierw wyszuka dowolne produkty w trybie konfiguracji, a następnie automatycznie poprosi o rozpoczęcie procesu konfiguracji. Alternatywnie możesz skonfigurować nowy produkt z menu ustawień, wybierając „Add product” (Dodaj produkt) w sekcji „your devices” (Twoje urządzenia).

### Przyciski / Złącza

- a** Przycisk wielofunkcyjny
- b** Zwiększanie głośności
- c** Play/Pause
- d** Zmniejszanie głośności
- e** Asystent głosowy
- f** Reset
- g** Złącze optyczne
- h** Złącze serwisowe
- i** Zasilanie
- j** Złącze Ethernetowe
- k** Złącze HDMI (ARC/eARC)

W procesie konfiguracji w aplikacji Bowers & Wilkins Music oprogramowanie poprosi Cię o nazwanie „space” (pomieszczenia), w którym Twój Panorama 3 ma być używany. Podana jest lista sugerowanych nazw pomieszczeń, ale możesz też utworzyć własną nazwę. Po wybraniu lub utworzeniu nowej nazwy pomieszczenia aplikacja poprosi o naciśnięcie przycisku wielofunkcyjnego znajdującego się w górnej części Panoramy 3, aby potwierdzić wybór.

Jeśli Panorama 3 ma używać bezprzewodowego połączenia sieciowego, następnym etapem konfiguracji jest połączenie urządzenia z domową siecią Wi-Fi. Aplikacja poprosi także o potwierdzenie poprawnej sieci Wi-Fi i wprowadzenie jej hasła. Alternatywnie, jeśli Panorama 3 jest podłączona do routera sieciowego za pomocą kabla Ethernet, ten etap procesu konfiguracji zostanie pominięty.

*Uwaga: Jeśli masz już inne kompatybilne produkty Bowers & Wilkins podłączone do swojej sieci Wi-Fi, Panorama 3 nie będzie wymagał wprowadzania hasła Wi-Fi, ponieważ zostanie ono bezpiecznie udostępnione za pomocą funkcji Quick Connect.*

Po zakończeniu konfiguracji sieci Wi-Fi i wyborze miejsca należy skonfigurować wejście wybrane do połączenia z telewizorem. Aplikacja przeprowadzi Cię przez proces konfiguracji telewizora. Jeśli podłączyłeś urządzenie do telewizora za pomocą HDMI ARC/eARC, aplikacja Bowers & Wilkins Music pokaże Ci, jak skonfigurować połączenie i włączyć funkcję CEC. Pozwala to na sterowanie dźwiękiem w Panoramie 3 za pomocą pilota do telewizora lub dekodera. Jeśli telewizor został podłączony za pomocą złącza optycznego, aplikacja Bowers & Wilkins Music pokaże, jak skonfigurować połączenie i wyłączyć wewnętrzne głośniki telewizora. Następnie zostaniesz zapytany, czy chcesz, aby Panorama 3 nauczyła się poleceń IR pilota telewizora, umożliwiając sterowanie Panoramą 3 za pomocą tego pilota.

*Uwaga: Jeśli Panorama 3 nie odbiera poleceń podświetlonych podczas procesu konfiguracji, może być konieczne włączenie obsługi podświetlenia na urządzeniach zewnętrznych w telewizorze. Więcej informacji można znaleźć w instrukcji obsługi telewizora.*

## 6. Ustawienia Bluetooth

Możliwe jest korzystanie z Panoramy 3 przez Bluetooth, bez konieczności podłączania produktu do sieci. Gdy Panorama 3 jest w trybie konfiguracji oraz gdy przycisk wielofunkcyjny powoli pulsuje na pomarańczowo, naciśnij i przytrzymaj go przez 5 sekund. Panorama 3 odtworzy sygnał dźwiękowy, a przycisk wielofunkcyjny zacznie migać na niebiesko. Wskazuje to, że Panorama 3 jest w trybie parowania Bluetooth i może być podłączony poprzez menu Bluetooth urządzenia źródłowego. Głośnik będzie dostępny w menu połączeń Bluetooth pod nazwą „Panorama 3”.

*Uwaga: W tej konfiguracji nie można już podłączyć produktu do sieci Wi-Fi. Aby podłączyć urządzenie Panorama 3 do sieci w trybie Bluetooth, należy wykonać reset fabryczny produktu za pomocą przycisku resetowania z tyłu produktu (patrz rozdział 4).*

Panoramę 3 można sparować z wieloma urządzeniami, naciskając i przytrzymując przycisk wielofunkcyjny przez 5 sekund, aby przejść do trybu parowania. Panoramę 3 można sparować maksymalnie z ośmioma innymi urządzeniami.

*Uwaga: Panorama 3 pozostanie w trybie parowania przez 2 minuty i wyłączy się, jeśli w tym czasie żadne urządzenie Bluetooth nie zostanie z nim sparowane.*

*Aby przejść do trybu parowania, naciśnij i przytrzymaj przycisk wielofunkcyjny.*

## 7. Użytkowanie Panoramy 3

### 7.1 Pomieszczenia (Spaces)

Spaces to podstawowa koncepcja aplikacji muzycznej Bowers & Wilkins i kompatybilnych produktów. Space to pomieszczenie lub określona przestrzeń w Twoim domu, w której słuchasz muzyki. Nie można używać Panoramy 3 z żadnym innym urządzeniem w tym samym „pomieszczeniu”.

### 7.2 Wsparcie Dolby

Panorama 3 obsługuje dźwięk Dolby Digital w następujących formatach:

- Dolby Digital
- Dolby Digital Plus™
- Dolby Atmos
- Dolby TrueHD

Dla wszystkich tych formatów audio Panorama 3 automatycznie zoptymalizuje odtwarzanie i zapewni najlepszą możliwą jakość dźwięku.

### 7.3 treミング Muzyki (Strumieniowe przesyłanie muzyki)

Możesz używać Panoramy 3 do odtwarzania dźwięku z serwisów streamingowych, takich jak Spotify, Apple Music, Qobuz i Tidal. Można je przesyłać strumieniowo bezpośrednio z aplikacji muzycznej Bowers & Wilkins, Spotify Connect®, AirPlay® 2 lub Bluetooth.

### 7.4 Odtwarzanie dźwięku przez aplikację Bowers & Wilkins Music

Po połączeniu produktu i uruchomieniu przesyłania strumieniowego muzyki w aplikacji możesz przeglądać muzykę z serwisów streamingowych. Po wybraniu utworu, który chcesz odtworzyć, po prostu kliknij przycisk „Odtwórz”. Jeśli masz tylko jedno „pomieszczenie”, muzyka będzie automatycznie odtwarzana w tej przestrzeni. Jeśli masz skonfigurowanych wiele „pomieszczeń”, po naciśnięciu przycisku „Odtwórz” zostanie wyświetlona lista dostępnych stref odtwarzania w domu, a dotknięcie miejsca, w którym chcesz odtworzyć dźwięk, spowoduje odtworzenie dźwięku w wybranej strefie.

### 7.5 Odtwarzanie dźwięku przez Spotify Connect

Użyj telefonu, tabletu lub komputera jako pilota do Spotify. Wejdź na <https://www.spotify.com/connect>, aby dowiedzieć się, jak to zrobić.

### 7.6 Odtwarzanie dźwięku przez AirPlay

AirPlay umożliwia aplikacjom na urządzeniach Apple (mobilnych, laptopach lub komputerach) strumieniowanie dźwięku przez sieć do dowolnych głośników kompatybilnych z AirPlay, takich jak Panorama 3. Aplikacje obsługujące AirPlay będą wyświetlać ikonę AirPlay.

Aby korzystać z AirPlay, otwórz aplikację, której chcesz użyć, i wybierz zawartość, którą chcesz odtworzyć. Stuknij ikonę AirPlay, aby wyświetlić listę dostępnych urządzeń, a następnie nazwę pomieszczenia, w którym chcesz odtwarzać audio.

## 7.6 Odtwarzanie dźwięku przez Bluetooth

Bluetooth umożliwia aplikacjom audio na urządzeniach mobilnych, laptopach lub komputerach stacjonarnych strumieniowanie treści poprzez połączenie bezprzewodowe do urządzeń kompatybilnych, do których należy także Panorama 3.

Aby korzystać z Bluetooth, musisz najpierw sparować swoje urządzenie z Panoramą 3. W aplikacji Bowers & Wilkins Music wybierz Ustawienia, a następnie wybierz pomieszczenie, w którym zainstalowane jest urządzenie, z którym chcesz się sparować. Wybranie opcji „Sparuj nowe urządzenie” (Pair new device) spowoduje przejście Panoramy 3 w tryb parowania Bluetooth. Przejdź do menu Bluetooth swojego urządzenia, aby sparować je z Panoramą 3. Panorama 3 użyje nazwy pomieszczenia w menu parowania Bluetooth. Po sparowaniu możesz odtwarzać dźwięk za pomocą dowolnej aplikacji na urządzeniu źródłowym. Listę urządzeń sparowanych z Twoim Panoramą 3 możesz zobaczyć w aplikacji Bowers & Wilkins Music.

*Uwaga: Panorama 3 pozostanie w trybie parowania Bluetooth przez 2 minuty i wyłączy się, jeśli w tym czasie żadne urządzenie nie zostanie z nim sparowane. Aby ponownie wejść w tryb parowania, powtórz powyższe kroki.*

## 8. Aplikacja Bowers & Wilkins Music

Aplikacja Bowers & Wilkins Music zostanie otwarta na stronie głównej. U dołu strony znajdują się cztery ikony nawigacji przeznaczone dla głównych sekcji aplikacji. Są to: przeglądanie (browse), biblioteka (library), wyszukiwarka (search) i ustawienia (settings), podświetlona na żółto ikoną wskazuje, w której sekcji się znajdujemy.

### 8.1 Przeglądanie

Strona przeglądania aplikacji Bowers & Wilkins Music prezentuje zawartość ułożoną w wielu rzędach w widoku wstążki, który można przeszukiwać, przesuwając palcem w prawo i w lewo. Na stronie przeglądania wyświetlane są polecane listy odtwarzania, które są generowane na podstawie Twojego gustu muzycznego, ostatnio odtwarzanej muzyki oraz niektóre polecane listy odtwarzania przygotowane przez firmę Bowers & Wilkins. Możesz także przewijać w dół i przeglądać muzykę z dowolnych serwisów streamingowych, które zostały połączone z Twoją aplikacją.

*Uwaga: Rekomendacje są oparte na gatunkach, wykonawcach, albumach i utworach, które lubisz. Aby polubić dowolny materiał, kliknij w symbol serca. Im więcej masz polubić, tym lepsze będą rekomendacje. Twoje rekomendacje pozostaną z Tobą i Twoim kontem Bowers & Wilkins oraz nie będą powiązane z daną usługą strumieniowania muzyki.*

### 8.2 Biblioteka

Strona Biblioteka grupuje wszystkie materiały, które Ci się spodobały w aplikacji Bowers & Wilkins Music lub w dowolnej z Twoich usług przesyłania strumieniowego. Treści można wyszukiwać tutaj według muzyki, podcastów i radia. Jeśli polubiłeś materiał w natywnej aplikacji serwisu streamingowego, może on nie pojawić się od razu w Bibliotece aplikacji Bowers & Wilkins Music.

### 8.3 Wyszukiwanie

Możesz wyszukiwać dowolną muzykę, korzystając z funkcji wyszukiwania w aplikacji Bowers & Wilkins Music. Aplikacja wyświetli wyniki ze wszystkich połączonych serwisów streamingowych.

## 8.4 Ustawienia (Settings)

Ustawienia pozwalają skonfigurować wiele produktów w domu. Strona ustawień podzielona jest na kilka sekcji:

- **Twoje Pomieszczenia (Your Spaces)**  
Zawiera listę wszystkich przestrzeni w domu i na tej podstawie możesz skonfigurować poszczególne urządzenia.
- **Twoje konto (Your Account)**  
Sekcja umożliwia modyfikację danych konta, a także powiązanie usług muzycznych z Twoją aplikacją.
- **Twoje Produkty (Your Products)**  
W tym miejscu możesz uruchomić wszelkie aktualizacje, które są dostępne dla dowolnego z Twoich produktów w Twoim domu.

## 8.5 Łączenie usług przesyłania strumieniowego

Aplikacja Bowers & Wilkins Music umożliwia wybór i odtwarzanie muzyki z wielu serwisów streamingowych, takich jak Qobuz, Tidal, Deezer i wiele innych. Aby to zrobić, aplikacja Bowers & Wilkins Music musi być połączona z usługą strumieniowania muzyki. Można to zrobić w Ustawieniach za pomocą przycisku „Połącz usługi” (Link services) w „Twoje konto” (Your Account). Wystarczy dotknąć i postępować zgodnie z instrukcjami wyświetlanymi na ekranie.

## 8.6 Widok odtwarzacza

Kiedy dźwięk jest odtwarzany na Panoramie 3ie, możesz kontrolować głośność, odtwarzać/wstrzymywać dźwięk, przeskakiwać do przodu i do tyłu. Widok odtwarzacza można zminimalizować, naciskając strzałkę w dół w lewym górnym rogu ekranu. To minimalizuje widok odtwarzacza do dołu ekranu głównego. Można go zmaksymalizować ponownie, dotykając w dowolnym momencie widoku miniotwarzacza.

## 9. Aktualizacja oprogramowania

Panorama 3 jest głośnikiem sieciowym, dzięki czemu można wprowadzić ulepszenia w zakresie niezawodności, a nowe funkcje i opcje będą dostępne za pośrednictwem aktualizacji oprogramowania. Gdy aktualizacja oprogramowania jest dostępna dla dowolnego produktu w Twojej sieci, na ikonie ustawień pojawi się znacznik. Wchodząc na stronę ustawień zobaczysz, że aktualizacja jest dostępna. Dotknięcie tego znacznika spowoduje uruchomienie aktualizacji dla wszystkich produktów w sieci, które jej wymagają.

## 10. Regulacja dźwięku

Położenie każdego głośnika może mieć wpływ na dźwięk, umiejscowienie głośnika blisko ściany może nadmiernie uwydatnić basy, a kiedy głośnik nie jest skierowany w Twoją stronę, natężenie wysokich częstotliwości może zostać zmniejszone. W związku z tym Panorama 3 umożliwia dostosowanie ustawień Bass oraz Treble, aby zapewnić większą elastyczność ustawienia go w określonym miejscu w pomieszczeniu. Aby uzyskać do niego dostęp, wybierz Ustawienia (settings), a następnie nazwę danego pomieszczenia z urządzeniem, którego ustawień chcesz dokonać i wybierz to urządzenie. Możesz regulować tony niskie i wysokie w zakresie od -6 dB do +6 dB. Ustawienia będą zapisane przez Panoramę 3 również po odłączeniu zasilania. Zostaną zresetowane jedynie po przywróceniu ustawień fabrycznych.

## 11. Amazon Alexa

Panorama 3 to inteligentny głośnik z wbudowanym asystentem głosowym Amazon Alexa. Aby włączyć tę funkcję, przejdź do strony ustawień na poziomie urządzenia w aplikacji Bowers & Wilkins Music. Wybierz Ustawienia (settings), a następnie wybierz pomieszczenie zawierające Panoramę 3, na którym chcesz włączyć asystenta głosowego. Następnie wybierz urządzenie. Wyświetlona zostanie strona ustawień. Możesz włączyć asystenta Amazon Alexa tutaj, podpinając swoje konto Amazon. Po prostu kliknij link i postępuj zgodnie z instrukcjami. W dowolnym momencie możesz odłączyć urządzenie Panorama 3 od konta Alexa.

Aby porozmawiać z Alexą, po prostu wypowiedz słowo wyzwalające „Alexa” lub naciśnij przycisk „Asystent Głosowy” na Panoramie 3. Naciśnięcie i przytrzymanie przycisku „Asystent Głosowy” wyciszy mikrofony Alexa.




## 12. Sterowanie Panoramą 3

Twoja Panorama 3 ma przyciski na górnym tylnym panelu, które zapewniają sterowanie odtwarzaniem/pauzą, regulację głośności i asystenta głosowego – patrz Rysunek 1.

Naciśnięcie przycisku Play/Pause spowoduje na przemian zatrzymanie oraz wznowienie odtwarzania dźwięku.

Naciśnięcie przycisku zwiększania lub zmniejszania głośności dostosuje głośność każdego odtwarzanego dźwięku. Naciśnięcie i przytrzymanie przycisków i będzie stale zwiększać lub zmniejszać głośność.

Dotknięcie przycisku wielofunkcyjnego spowoduje przechodzenie i odtwarzanie aktywnych strumieni i źródeł dostępnych dla Panoramy 3. Podświetlenie przycisku wielofunkcyjnego urządzenia zmienia się, wskazując różne stany operacyjne. Rodzaje podświetlenia przedstawiono na Rysunku 2.

Sposób świecenia		Stan operacyjny
Miga na biało		Trwa uruchamianie
Pulsuje na pomarańczowo		Gotowe do konfiguracji
Miga na pomarańczowo		Aktualizacja oprogramowania w toku
Pulsuje na biało		Trwa przesyłanie audio
Pulsuje na czerwono		Błąd – skontaktuj się z pomocą techniczną
Świeci się stale na czerwono		Błąd – skontaktuj się z pomocą techniczną
Miga na czerwono		Przywracanie ustawień fabrycznych w toku
Miga na niebiesko		Tryb parowania Bluetooth
Świeci się stale na niebiesko		Ustanowiono połączenie Bluetooth

Rysunek 2  
Wielofunkcyjny sposób świecenia wskaźników

Naciśnięcie przycisku „Asystent Głosowy” rozmowę z asystentem głosowym bez konieczności wypowiedzania słowa wyzwalającego. Ta funkcja wymaga włączenia usługi głosowej w Twoim Panoramie 3.

## 13. Czyszczenie

Jeśli Twój Panorama 3 wymaga czyszczenia, możesz wytrzeć jego górną powierzchnię czystą, niestrzępiącą się ściereczką i wyczyścić maskownicę miękką szczoteczką. Jeśli chcesz użyć płynu czyszczącego, nałóż go na ściereczkę, a nie bezpośrednio na urządzenie. Najpierw przetestuj mały obszar, ponieważ niektóre środki czyszczące mogą uszkodzić powierzchnię głośnika. Unikaj produktów ściernych, zawierających kwasy, zasady lub środki przeciwbakteryjne.

## 14. Wsparcie

Jeśli potrzebujesz dalszej pomocy lub porady dotyczącej produktu, odwiedź witrynę pomocy technicznej pod adresem [www.bowerswilkins.com/support](http://www.bowerswilkins.com/support).

## 15. Informacje środowiskowe

Ten produkt automatycznie zarządza stanem zasilania, bez potrzeby jakiegokolwiek interakcji. Po podłączeniu do sieci i nieużywaniu, zużycie energii jest automatycznie zmniejszane poniżej 2 W.

Ten produkt jest zgodny z międzynarodowymi dyrektywami, w tym między innymi z ograniczeniem stosowania substancji niebezpiecznych (RoHS) w sprzęcie elektrycznym i elektronicznym, rejestracją, oceną, autoryzacją i ograniczeniami dotyczącymi chemikaliów (REACH) oraz utylizacją zużytego sprzętu elektrycznego i elektronicznego (WEEE). Skonsultuj się z lokalnymi władzami zajmującymi się utylizacją odpadów, aby uzyskać wskazówki dotyczące prawidłowego recyklingu lub utylizacji tego produktu.

## Specyfikacje

Właściwości techniczne	Kompatybilny z aplikacją Bowers & Wilkins Music Apple AirPlay 2 Spotify Connect Bluetooth Dostępna Alexa Dolby TrueHD Discrete Dolby Atmos 3.1.2 HDMI eARC
Obsługiwane formaty audio	Dolby Atmos Dolby Digital True HD Dolby Digital Plus LPCM
Bluetooth	5.0, klasa 2
Kodeki Bluetooth	aptX™ Adaptive AAC SBC
Kompatybilność AirPlay 2	iPhone, iPad i iPod touch z systemem iOS 11.4 lub nowszym, Apple TV 4K lub Apple TV (4. generacji) z tvOS 11.4 lub nowszym, Mac lub PC z iTunes 12.8 lub nowszym
Moc wyjściowa wzmacniacza	400W
Głośniki	3x 19mm (0.75") Głośnik wysokotonowy z tytanową kopułką 6x 50mm (2") Głośnik basowy/średnionowy ze stożkiem tkanym z włókna szklanego 2x 50mm (2") Głośnik Atmos ze stożkiem tkanym z włókna szklanego 2x 100mm (4") Głośnik basowy o niskim profilu
Pasma przenoszenia	43Hz–48kHz
Wymiary	65mm (h) x 1210mm (w) x 140mm (d)
Waga	6.5kg
Połączenia	1x HDMI ARC/eARC 1x cyfrowe wejście audio (Toslink) 1x Ethernet RJ45 1x USB-C (tylko serwis)
Napięcie wejściowe	100V-240V, 50/60Hz
Pobór energii	Poniżej 2 watów

Terminy HDMI i HDMI High-Definition Multimedia Interface oraz logo HDMI są znakami towarowymi lub zastrzeżonymi znakami towarowymi firmy HDMI Licensing Administrator, Inc. w Stanach Zjednoczonych i innych krajach. Dolby, Dolby Atmos i Dolby Digital Plus są zastrzeżonymi znakami towarowymi Dolby Laboratories. Apple, AirPlay, Apple Music, iOS, iPhone, iPad, iPod touch, iTunes, Apple TV, Mac, macOS, OS X i tvOS są zastrzeżonymi znakami towarowymi firmy Apple Inc., zarejestrowanymi w Stanach Zjednoczonych i innych krajach. Znak towarowy „iPhone” jest używany w Japonii na licencji Aiphone KK. Spotify i Spotify Connect są znakami towarowymi Spotify AB. Dostępność Spotify Connect może zależeć od regionu. Więcej informacji można znaleźć na stronie [www.spotify.com](http://www.spotify.com). Amazon, Alexa i wszystkie powiązane logo są znakami towarowymi firmy Amazon.com, Inc. lub jej podmiotów stowarzyszonych. Android jest znakiem towarowym firmy Google LLC. aptX jest produktem firmy Qualcomm Technologies, Inc. i/lub jej spółek zależnych. aptX jest znakiem towarowym firmy Qualcomm Technologies International, Ltd., zarejestrowanym w Stanach Zjednoczonych i innych krajach. Znak słowny i logo Bluetooth są zastrzeżonymi znakami towarowymi należącymi do firmy Bluetooth SIG, Inc., a każde użycie tych znaków przez Bowers & Wilkins jest objęte licencją. Inne znaki towarowe i nazwy handlowe należą do ich odpowiednich właścicieli.

## Bowers & Wilkins ve Panorama 3'e Hoş Geldiniz

John Bowers, Bowers & Wilkins'i ilk kurduğunda yaratıcı tasarım, yenilikçi mühendislik ve gelişmiş teknolojinin evde müzik keyfinin kilidini açacak anahtarlar olduğuna inanıyordu. Bu inanç tasarladığımız tüm ürünlere ilham vermeye devam ediyor.

Panorama 3, son derece yüksek performans sağlayan ağa bağlı, kablosuz aktif bir hoparlördür. Panorama 3 esas olarak Bowers & Wilkins Music Uygulaması kullanılarak yapılandırılmak ve kumanda edilmek üzere tasarlanmıştır. Uygulama hem iOS hem de Android™ cihazlarda mevcuttur. Sık kullanılan kumanda fonksiyonlarının bazıları aynı zamanda Panorama 3'ün üst panelinde 'aydınlanıncaya kadar gizli' düğmeler şeklinde mevcuttur. Panorama 3'ün kurulumu ve yapılandırılması ancak Bowers & Wilkins Music Uygulamasıyla mümkündür.

Panorama 3 ile:

- HDMI® ARC/eARC bağlantısıyla TV'den müzik dinleyebilirsiniz.
- Dijital optik ses kablosu bağlantısıyla TV'den müzik dinleyebilirsiniz.
- Tidal, Qobuz, Deezer, Spotify®, Apple Music ve daha birçoğu gibi akış hizmetlerinden müzik dinleyebilirsiniz.
- Uygun şekilde etkinleştirilmiş Bluetooth® destekleyen cihazlardan Bluetooth üzerinden müzik dinleyebilirsiniz.
- Evinizin ağına bağlı, uyumlu Bowers & Wilkins Kablosuz hoparlörlerinden evinizin herhangi bir yerinde çalan müziği dinleyebilirsiniz.\*

Panorama 3'ü ev ağınıza bağlamak ve evinizdeki diğer ürünlerle bağlantı kurmak için Bowers & Wilkins Music Uygulaması gereklidir. Bowers & Wilkins Music uygulaması kullanım esnasında birtakım kumanda ve yapılandırma işlevleri de sağlamaktadır. Panorama 3'ün kurulumuna başlamadan önce lütfen Bowers & Wilkins Music Uygulamasını iOS veya Android cihazınıza indirin ve yükleyin. Bowers & Wilkins Music Uygulaması iOS 11.4 veya üzeri veya Android V8.1 veya üzeri sürümleri gerektirir. Bluetooth ve WiFi özelliklerinin iOS veya Android cihazınızda etkinleştirilmesi gerekir. Aynı zamanda WiFi ağı şifrenizi biliyor olmanız gerekir.

*Not: Kurulum sürecinde Konum Hizmetlerinin Android cihazlarda etkinleştirilmesi gerekir. Bunun nedeni uyumlu Bowers & Wilkins ürünlerinin servis bağlantısı için düşük güçte bir Bluetooth bağlantı türü (BT-LE) kullanması ve bu bağlantının Android cihazlarda ancak Konum Hizmetleri etkinleştirildiğinde açılmasıdır. Bowers & Wilkins konum hizmetleri verilerini pazarlama amaçlı olarak kullanmaz.*

\* Bu özellik 2022'de etkinleştirilecektir

## 1. Kutu İçeriği

Panorama 3  
Güç kablosu  
HDMI kablosu  
Duvar braketi  
Belge ve kitapçık paketi

## 2. Panorama 3'ün Kurulumu

Panorama 3 TV'niz ile birlikte çalışmak üzere tasarlanmıştır ve bu yüzden TV'nize yakın bir yerde konumlandırılmalıdır. Panorama 3'ün TV'ye bağlı olarak çalışabilmesi için hem bir HDMI bağlantısı ve hem de elektrik bağlantısı gereklidir; bu yüzden cihazın bir elektrik prizine ve HDMI bağlantısına yakın bir yerde konumlanması gerekir. Eğer Panorama 3 ev ağınıza kablolu bağlantıyla bağlanacaksa cihazın uygun bir ağ (Ethernet) kablosuna yakın bir yerde konumlanması gerekir.

Panorama 3 bir raf, masa veya mobilya üzerine yerleştirilebilir veya Panorama 3 ile birlikte temin edilen özel duvar braketiyle duvara monte edilebilir. Panorama 3'ü bir raf üzerine yerleştirecekseniz rafın cihazın ağırlığını taşıyabilecek kapasitede olduğundan emin olun. Cihazın yerleştirildiği mobilya veya raf panellerinin dayanıksız olması veya yankı yapması ses performansını azaltabilir.

*Not: Panorama 3 duvar braketiyle duvara monte edilecekse braketin temin edilen talimatlara göre monte ettiğinizden emin olun. Duvarın bu işleme uygun olup olmadığından veya duvar braketini monte edip edemeyeceğinizden emin olmadığınız takdirde bir uzmandan yardım istemeniz gerekir.*

Panorama 3, pek çok hoparlör gibi ses enerjisini sadece ileriye doğru değil fakat aynı zamanda üst ve arka taraflar ile yanlara doğru da yayar. Bu yüzden Panorama 3 oda sınırlarına ve özellikle odanın bir köşesine yakın olarak konumlandırıldığında bas sesi aşırı vurgulu şekilde çıkabilir. Panorama 3'ten bas sesinin fazla çıktığını düşünüyorsanız cihazın yerini değiştirmek yararlı olabilir; bununla birlikte bas sesi seviyesini Bowers & Wilkins Music Uygulamasının Ayarlar menüsünden de ayarlayabilirsiniz.

## 2.1 Bağlantılar

Panorama 3 hoparlörünüz elektrik bağlantısının yanı sıra bir HDMI ARC/eARC bağlantısına, optik ses bağlantısına ve bir USB-C bağlantısına sahiptir. Ethernet portu kullanarak Panorama 3'ü kablolu (Ethernet) şekilde bağlamak mümkündür.

TV'ye bağlantının öncelikli olarak HDMI bağlantısıyla yapılması önerilir; Panorama 3'ü TV'nizin ARC girişine bağlamanızı öneririz. Eğer TV'nizde ARC veya eARC destekli HDMI bağlantısı yoksa, Panorama 3'ü optik dijital ses bağlantısıyla TV'ye bağlayabilirsiniz.

*Not: TV'nizle Panorama 3'ten en iyi işlevsellik ve performansı almak için ARC (ve eğer TV'nizde mevcutsa eARC) ile CEC'i etkinleştirmenizi öneririz. Bu özellikler farklı marka TV'lerde farklı şekillerde etkinleştirildiğinden daha fazla bilgi için TV kullanım kılavuzunuza bakmanızı öneririz. Ayrıca TV'nize bağlı diğer cihazlardaki Dolby® Atmos® destekli içeriklerden en iyi ses performansını almak için TV'yi düz geçiş (pass-through) veya bypass moduna ayarlamamanızı öneririz.*

## 2.2 İlk Bağlantı

Tüm bağlantılar yapıldığında, Bowers & Wilkins Music Uygulaması mobil cihazınıza yüklendiğinde ve TV'niz seçilen bağlantı yöntemiyle çalışacak şekilde yapılandırıldığında Panorama 3 kurulum için hazırdır.

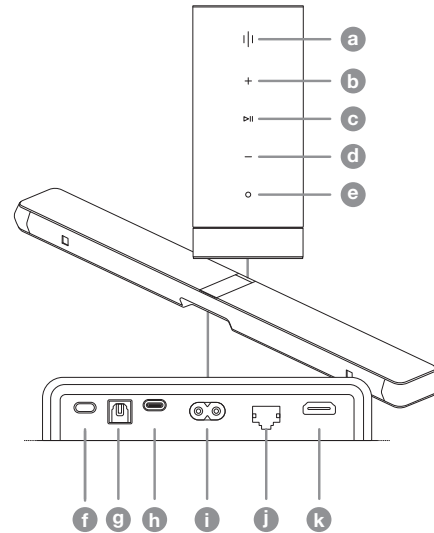
Panorama 3'te şalter anahtar bulunmamaktadır; bu bakımdan cihaz, prize bağlandığında kullanıma hazır hale gelmeden önce kısa bir sistem başlatma işlemi gerçekleştirir. Sistem başlatma işlemi hoparlörün açılmasını, ağa bağlanmayı ve akış hizmetleriyle bağlantı kurmayı içerir ve dolayısıyla işlemin tamamlanması biraz zaman alabilir. Bu işlemler sürerken, Çok Fonksiyonlu düğme başlatma esnasında beyaz renkte ve ağ bağlantısı sağlandığında ise sarı renkte yanıp sönecektir. Başlatma işlemi tamamlandığında hazır bir ses dosyası çalacaktır.

Daha önce kullanılmamış bir Panorama 3 cihazı ilk kez açıldığında ev ağıyla bağlantı oluşturmak için otomatik olarak kurulum moduna geçer. Kurulum modu Çok Fonksiyonlu düğmenin yavaşça yanıp sönen sarı ışığıyla gösterilir (bkz. Şekil 1). Panorama 3 aynı zamanda ya açılır ileti şeklinde ya da uygulama ayarları sayfasından 'Ürün Ekle' seçeneğinin seçilmesi sonrasında Bowers & Wilkins Music Uygulamasında da kurulum hazır olarak görünecektir.

Panorama 3 çalışma durumunu ve güç tüketimini tamamen kendi kendine yönetir ve yirmi dakika boyunca herhangi bir işlem yapılmadığında güç tasarrufu moduna geçer. Panorama 3'ü kapatmanıza asla gerek yoktur; bununla birlikte cihazı kapatmak isterseniz cihazın elektrikle olan bağlantısını kesmeniz yeterlidir. Panorama 3 elektrik bağlantısı olmadığına da girilen ayarları hafızasında tutar.

## 3. Yeniden Başlatma / Yeniden Açma

Cihazın arka panelinde yer alan Sıfırlama düğmesine kısa süreli basıp bırakarak Panorama 3 hoparlörünü yeniden başlatabilirsiniz (bkz. Şekil 1). Düğmeye basılması Panorama 3'ün kapanıp yeniden açılmasını sağlayacaktır. Panorama 3 yeniden başlatıldığında tüm ayarlar hafızada kalacaktır. Panorama 3'ü aynı zamanda Bowers & Wilkins Music Uygulaması ayarlar sayfası üzerinden de yeniden başlatabilirsiniz.



Şekil 1  
Panorama 3 kontrol paneli ve konnektörler

## 4. Fabrika Ayarlarına Döndürme

Panorama 3'ü fabrika ayarlarına döndürmek istediğinizde Sıfırlama düğmesini beş saniye basılı tutun. Sıfırlama düğmesinin yeri Şekil 1'de görülebilir. Sıfırlama süreci Çok Fonksiyonlu düğmenin kırmızı ışığıyla ve bir ses sırasıyla gösterilir; bu sürecin sonunda Panorama 3 kapanacaktır. Panorama 3 yeniden başladığında kurulum moduna geçecektir. Panorama 3 sıfırlandığında hafızadaki tüm ayarlar silinecektir. Panorama 3'ü aynı zamanda Bowers & Wilkins Music Uygulamasının Ayarlar menüsünde de sıfırlayabilirsiniz.

## 5. Ağda Kurulum

Panorama 3 kurulum modundayken ve Çok Fonksiyonlu düğme yavaşça sarı renkte yanıp sönerken iOS veya Android cihazınızda Bowers & Wilkins Music Uygulamasını başlatın. Uygulama kurulum süreci boyunca komutlarla sizi yönlendirecektir.

*Not: Panorama 3, kurulum süreci esnasında Bowers & Wilkins Music Uygulamasını çalıştıran cihazla Bluetooth bağlantısı kurar. Bluetooth sinyalleri görel olarak kısa menzilli olup odanın sınırlarıyla kesintiye uğrayabilir, bu bakımdan kurulum süreci esnasında Panorama 3 ile Bowers & Wilkins Music Uygulaması cihazının ürün ile yakın mesafe içerisinde olmasını öneririz.*

Bowers & Wilkins Music Uygulaması bir kullanıcı hesabı oluşturmanızı gerektirir. Uygulamayı ilk kez indirdiğinizde sizden hesabınız varsa oturum açmanız veya bir hesap oluşturmanızı istenecektir. Bir kullanıcı adı ve şifre girmeniz gerekecektir. Ayrıca kurulum öncesinde hesabınıza ilişkin bildirimlerde değişiklikler yapabilirsiniz. Bir hesap oluşturduktan sonra sağlamış olduğunuz e-posta adresine gönderilen bağlantıyı tıklayarak e-posta adresinizi doğrulamanız gerekecektir.

Bowers & Wilkins Music Uygulaması ilk olarak kurulum modunda herhangi bir ürün olup olmadığını araştırarak ve ardından otomatik olarak sizi kurulum sürecini başlatmaya yönlendirecektir. Alternatif olarak ayarlar menüsündeki 'Cihazlarınızı' bölümünün altında yer alan 'Ürün ekle' seçeneğini seçerek yeni bir ürün kurulumu gerçekleştirebilirsiniz.

### Düğmeler / Konnektörler

- a Çok Fonksiyonlu
- b Ses Açma
- c Çal/Duraklat
- d Ses Kısmı
- e Ses Asistanı
- f Sıfırlama
- g Dijital Giriş
- h Servis
- i Güç
- j Ethernet
- k HDMI (ARC/eARC)

Bowers & Wilkins Music Uygulamasındaki kurulum işleminde Panorama 3'ün kullanılabileceği "Mekana" bir isim vermeniz istenecektir. Bu aşamada bir önerilen Mekan isimleri listesi mevcut olmakla birlikte kendi isminizi de oluşturabilirsiniz. Bir mekan ismi seçtiğinizde veya oluşturduğunuzda uygulama sizden seçimi doğrulamak için Panorama 3'ün üzerinde yer alan Çok Fonksiyonlu düğmeye basmanızı isteyecektir.

Eğer Panorama 3'ü kablosuz bir ağ bağlantısıyla kullanacaksanız kurulumun bir sonraki adımında Panorama 3'ü evinizin WiFi ağına bağlamanız gerekecektir. Uygulama sizden doğru WiFi ağını doğrulamanızı ve ağ şifrenizi girmenizi isteyecektir. Eğer Panorama 3 bir Ethernet kablosuyla ağ yönlendiricisine bağlı ise kurulum sürecinin bu adımına gerek kalmaz.

*Not: Halihazırda WiFi ağına bağlı başka Bowers & Wilkins uyumlu ürünlerin bulunması halinde, şifreniz Hızlı Bağlantı işleviyle güvenli bir şekilde paylaşılacağı için Panorama 3 sizden WiFi şifrenizi girmenizi istemeyecektir.*

WiFi ağı yapılandırması ve mekan seçimi tamamlandığında TV bağlantısı için seçmiş olduğunuz girişi yapılandırmanız gerekecektir. Uygulama TV'nizi nasıl ayarlayacağını adımlar halinde size gösterecektir. TV'ye HDMI ARC/eARC ile bağlantı yaptıysanız, Bowers & Wilkins Music Uygulaması Panorama 3'ün TV'ye nasıl bağlanacağını ve CEC'in nasıl etkinleştirileceğini size gösterecektir. Bu, TV'nizle veya set üstü kutusu uzaktan kumandasıyla Panorama 3'te sesi kontrol etmenizi sağlar. TV'ye optik kablo ile bağlantı yaptıysanız, Bowers & Wilkins Music Uygulaması Panorama 3'ün TV'ye nasıl bağlanacağını ve TV'nin dahili hoparlörlerinin nasıl devre dışı bırakılacağını size gösterecektir. Sonrasında Panorama 3'ü bu uzaktan kumandayla kontrol etmenizi sağlamak için Panorama 3'ün TV'nizin uzaktan kumandasının IR komutlarını öğrenmesini isteyip istemediğiniz sorulacaktır.

*Not: Kurulum sürecinde Panorama 3'ün IR komutlarını almaması halinde TV'nize bağlı harici cihazlardaki IR desteğini etkinleştirmeniz gerekebilir. Daha fazla bilgi için lütfen TV kullanım kılavuzunuza bakın.*

## 6. Tek Başına Bluetooth Kurulumu

Panorama 3'ü bir ağa bağlama ihtiyacı duymadan Bluetooth ile kullanmanız da mümkündür. Panorama 3 kurulum modundayken, Çok Fonksiyonlu düğme yavaşça sarı renkte yanıp söndüğü esnada Çok Fonksiyonlu düğmeyi 5 saniye basılı tutun. Panorama 3 hazır bir ses dosyası çalacak ve Çok Fonksiyonlu düğme mavi renkte yanıp sönecektir. Bu, Panorama 3'ün Bluetooth eşleştirme modunda olduğunu ve Bluetooth menüsünde yer alan kaynak cihazlarınızla bağlanabileceğini gösterir. Panorama 3 Bluetooth menüsünde 'Panorama 3' adıyla mevcut hale gelecektir.

*Not: Bu yapılandırmada ürünün artık bir ağda kurulması mümkün olmaz. Panorama 3'ü Tek Başına Bluetooth modundayken bir ağa bağlayabilmek için ürünün arka tarafında yer alan Sıfırlama düğmesini kullanarak ürünü fabrika ayarlarına döndürmeniz gerekecektir (bkz. 4. bölüm).*

Eşleştirme moduna geçmesi için Çok Fonksiyonlu düğmeyi 5 saniye basılı tutarak Panorama 3'ü birden çok cihazla eşleştirebilirsiniz. Panorama 3 en fazla sekiz cihazla eşleştirilebilir.

*Not: Panorama 3 eşleştirme modunda 2 dakika boyunca kalır ve bu süre içinde herhangi bir cihaz*

*eşleştirilmediği takdirde eşleştirme zaman aşımına uğrar. Eşleştirme moduna yeniden girmek için Çok Fonksiyonlu düğmeyi basılı tutun.*

## 7. Panorama 3'ün Kullanımı

### 7.1 Mekanlar

Mekanlar, Bowers & Wilkins Music Uygulamasının ve uyumlu ürünlerin temel bir konseptidir. "Mekan" evinizde müzik dinlediğiniz bir oda veya belirli bir yer demektir. Panorama 3'ü aynı mekanda herhangi başka bir cihazla birlikte kullanmak mümkün değildir.

### 7.2 Dolby Desteği

Panorama 3 aşağıdaki Dolby Digital ses formatlarını destekler:

- Dolby Digital
- Dolby Digital Plus™
- Dolby Atmos
- Dolby TrueHD

Tüm bu ses formatlarıyla ilgili olarak Panorama 3 müzik çalma işlevini otomatik olarak optimize edecek ve mümkün olan en iyi ses performansını sağlayacaktır.

### 7.3 Müzik Akışı Yapma

Panorama 3'ü Spotify, Apple Music, Qobuz ve Tidal gibi akış hizmetlerinden müzik dinlemek için kullanabilirsiniz. Bunlar doğrudan Bowers & Wilkins Music Uygulaması, Spotify Connect®, AirPlay® 2 veya Bluetooth üzerinden stream edilebilir.

### 7.4 Bowers & Wilkins Music Uygulaması Üzerinden Müzik Çalma

Ürününüzün bağlantısını yaptıktan ve Bowers & Wilkins Music Uygulamasında bir müzik akış hizmetini etkinleştirdikten sonra müzik akış hizmetinde müzik aramaya başlayabilirsiniz. Çalmak istediğiniz parçayı seçtiğinizde tek yapmanız gereken 'Çal' düğmesine basmaktır. Eğer sadece tek bir mekanınız varsa müzik otomatik olarak o mekanda çalmaya başlar. Eğer birden fazla mekanınız varsa 'Çal' düğmesine bastığınız anda evinizdeki mevcut mekanların bir listesi görüntülenir ve müziği çalmak istediğiniz mekanı seçtiğinizde müzik seçilen mekanda çalmaya başlar.

### 7.5 Spotify Connect Üzerinden Müzik Çalma

Telefonunuzu, tabletinizi veya bilgisayarınızı Spotify'ın uzaktan kumandası olarak kullanın. Bunun nasıl yapılacağını öğrenmek için <https://www.spotify.com/connect> adresini ziyaret edin.

### 7.6 AirPlay Üzerinden Müzik Çalma

Airplay, Apple marka mobil, dizüstü veya masaüstü cihazlardaki uygulamaların bir ağ üzerinden Panorama 3 gibi AirPlay uyumlu hoparlörlere müzik akışı yapmasını sağlar. AirPlay etkin uygulamalar AirPlay simgesiyle görüntülenir.

AirPlay'i kullanmak için kullanmayı istediğiniz uygulamayı açın ve çalmayı istediğiniz içeriği seçin. Mevcut cihazların listesini ve akabinde kullanmak istediğiniz mekanı görüntülemek için AirPlay simgesine dokununuz.

## 7.7 Bluetooth Üzerinden Müzik Çalma

Bluetooth mobil, dizüstü veya masaüstü cihazlardaki müzik uygulamalarının kablosuz bir bağlantı üzerinden Panorama 3 hoparlörünüze içerik akışı yapmasını sağlar.

Bluetooth bağlantısını kullanmak için öncelikle cihazınızı Panorama 3 ile eşleştirmeniz gerekir. Bowers & Wilkins Music Uygulamasında sırasıyla Ayarlar ve eşleştirmek istediğiniz cihazı içeren mekanı seçin. 'Yeni cihaz eşleştir' seçeneği seçildiğinde Panorama 3 Bluetooth eşleştirme moduna geçer. Cihazınızın Bluetooth menüsüne girin ve cihazınızı Panorama 3 ile eşleştirin. Panorama 3 Bluetooth eşleştirme menüsündeki mekan ismini kullanacaktır. Eşleştirme yapıldıktan sonra kaynak cihazınızdaki herhangi bir uygulama üzerinden müzik çalabilirsiniz. Panorama 3 hoparlörünüzle eşleştirilen cihazların listesini Bowers & Wilkins Music Uygulamasında görebilirsiniz.

*Not: Panorama 3 eşleştirme modunda 2 dakika boyunca kalır ve bu süre içinde herhangi bir cihaz eşleştirilmediği takdirde eşleştirme zaman aşımına uğrar. Eşleştirme moduna yeniden girmek için yukarıdaki adımları tekrarlayın.*

## 8. Bowers & Wilkins Music Uygulaması

Bowers & Wilkins Music Uygulaması ana sayfada açılır. Sayfanın alt kısmında göz atma, kütüphane, arama ve ayarlar olmak üzere uygulamanın ana bölümlerine ilişkin dört adet gezinme simgesi yer almaktadır. Sarı renkteki yan simge hangi sayfada olduğunuzu gösterir.

### 8.1 Göz atma

Bowers & Wilkins Music Uygulamasının göz atma sayfası sağa sola kaydırarak arama yapabileceğiniz çok sıralı şerit görünümünde düzenlenmiş içeriğe sahiptir. Göz atma sayfasında müzik zevkinize göre oluşturulmuş önerilen çalma listeleri, en son çaldığınız müzikler ve Bowers & Wilkins tarafından düzenlenmiş birtakım önerilen çalma listeleri görüntülenir. Ayrıca sayfayı aşağı kaydırarak uygulamayla bağlantı kurduğunuz akış hizmetlerinde de müzik arayabilirsiniz.

*Not: Öneriler beğendiğiniz müzik türlerine, sanatçılara, albümlere ve parçalara göre oluşturulur. Herhangi bir materyali beğenmek için kalp simgesine tıklayın. Ne kadar çok materyal beğenirseniz öneriler de o kadar iyi olur. Öneriler sizin ve Bowers & Wilkins hesabınızda kalır ve kullandığınız müzik akış hizmetiyle ilişkilendirilmez.*

### 8.2 Kütüphane

Kütüphane sayfası Bowers & Wilkins Music Uygulamasında veya kullandığınız akış hizmetlerinde beğendiğiniz tüm materyalleri bir araya getirir. Burada müzik, podcast ve radyo kategorilerine göre içerik arayabilirsiniz. Bir akış hizmetinin kendi uygulamasında materyal beğendiğinizde beğendiğiniz şey doğrudan Bowers & Wilkins Music Uygulaması Kütüphanesinde görüntülenebilir.

### 8.3 Arama

Bowers & Wilkins Music Uygulamasının arama işlevini kullanarak istediğiniz müziği arayabilirsiniz. Uygulama, bağlantı kurduğunuz tüm akış hizmetlerinden arama sonuçları görüntüleyecektir.



## 8.4 Ayarlar

Ayarlar sayfası evinizdeki birden fazla ürünü yapılandırmanızı sağlar. Ayarlar sayfası farklı bölümlere ayrılmıştır:

- **Mekanlarınız**  
Bu bölüm evinizdeki mevcut tüm mekanları listeler ve münferit cihazları yapılandırmanızı sağlar.
- **Hesabınız**  
Bu bölüm hesap bilgilerinizde değişiklik yapmanızı ve müzik akış hizmetleri ile uygulama arasında bağlantı kurmanızı sağlar.
- **Ürünleriniz**  
Evinizdeki ürünler için mevcut olan güncellemeleri buradan yapabilirsiniz.

## 8.5 Akış Hizmetleriyle Bağlantı Kurulması

Bowers & Wilkins Music Uygulaması Qobuz, Tidal, Deezer ve daha birçoğu gibi çeşitli akış hizmetlerini seçerek müzik çalmanızı sağlar. Bunun için Bowers & Wilkins Music Uygulaması ile müzik akış hizmeti arasında bağlantı kurulması gerekir. Bunu ayarlardaki 'Hesabınız' menüsünde yer alan 'Hizmetlerle Bağlantı Kur' düğmesine dokunarak yapabilirsiniz. Düğmeye dokununuz ve ekrandaki talimatları takip edin.

## 8.6 Oynatıcı Menüsü

Panorama 3'te müzik çalarken ses düzeyini kontrol edebilir, müziği duraklatıp yeniden çalabilir, ileri ve geri alabilirsiniz. Oynatıcı menüsü ekranın üst sol köşesinde yer alan aşağı oka basılarak simge durumuna küçültülebilir. Bu oynatıcı menüsünü ana ekranın alt kısmında simge konumuna küçültür. İstenildiğinde mini oynatıcıya dokunularak oynatıcı menüsü tekrar ekranda büyütülebilir.

## 9. Yazılım Güncellemesi

Panorama 3 ağa bağlı bir hoparlördür ve dolayısıyla cihazın performansının artırılmasına yönelik yeni fonksiyon ve özellikler yazılım güncellemeleriyle etkinleştirilebilir. Ağınızdaki herhangi bir ürün için bir yazılım güncellemesi mevcut olduğunda bu ayarlar simgesinde bir etiketle gösterilir. Ayarlar sayfasına girerek güncellenenin mevcut olduğunu görürsünüz. Bu seçeneğe dokunulduğunda ağda güncelleme alması gereken tüm ürünler için güncelleme işlemi başlatılır.

## 10. Ses Ayarlamaları

Hoparlörün yerleştirildiği konum ses kalitesine etki edebilir. Hoparlör duvara yakın konumlandığında bas sesi aşırı vurgulu çıkabilir ve hoparlörün ön tarafı size doğru bakmıyorsa yüksek frekanslı içeriğin ses düzeyi azalabilir. Bu sebeple, cihazın odanızda konumlandırılması konusunda daha fazla esneklik sağlanması için Panorama 3'ün bas ve tiz ses ayarlarını ayarlamak mümkündür. Bu ayarlara erişmek için sırasıyla Ayarlar, ayarlamak istediğiniz ürünün bulunduğu mekanın ismini ve cihazı seçin. Bas ve tiz sesleri -6dB ila +6dB arasında bir değere ayarlayabilirsiniz. Girilen ayarlar, cihaz kapatıldıktan sonra Panorama 3'ün hafızasında saklanacaktır, fakat cihaz fabrika ayarlarına döndürüldüğünde sıfırlanacaktır.

## 11. Amazon Alexa

Panorama 3, dahili Amazon Alexa ses asistanı ile birlikte gelen akıllı bir hoparlördür. Bu özelliği etkinleştirmek için Bowers & Wilkins Music Uygulamasındaki cihaz seviye ayarları sayfasına gidin. Ayarları seçin ve ardından ses asistanını etkinleştirmeyi istediğiniz Panorama 3'ün bulunduğu mekanı seçin. Ardından cihazı seçin. Cihaz ayarları sayfası görüntülenecektir. Amazon hesabınızla bağlantı kurarak Amazon Alexa'yı burada etkinleştirebilirsiniz; bağlantıya tıklayın ve talimatları takip edin. Panorama 3 ile Alexa hesabınız arasındaki bağlantıyı istediğiniz zaman kaldırabilirsiniz.

Alexa ile konuşmak için 'Alexa' tetikleyici kelimesini söyleyin veya Panorama 3'teki Ses Asistanı düğmesine basın. Ses Asistanı düğmesine basılı tutmak Alexa mikrofonlarını sessize alacaktır.

## 12. Panorama 3 Kontrolleri

Panorama 3'ün arka panelinin üst kısmında çalma/duraklatma, ses düzeyi ayarlama ve ses asistanı kontrol düğmeleri yer almaktadır – bkz. Şekil 1.

Sırasıyla Çal/Duraklat düğmelerine basıldığında çalmakta olan müzik durdurulur ve yeniden başlatılır.

Ses Düzeyi Yukarı (+) ve Ses Düzeyi Aşağı (-) düğmelerine basıldığında çalmakta olan müziğin ses düzeyi ayarlanır. Ses düzeyi + ve - düğmelerine basılı tutulduğunda ses düzeyi sürekli olarak artar veya azalır.

Çok Fonksiyonlu düğmeye dokunulduğunda Panorama 3'te mevcut olan akış hizmetleri ve kaynaklar arasında seçim yapılarak istenen içerik çalınır. Panorama 3'ün Çok Fonksiyonlu düğmesinin ışığı çeşitli operasyonel durumları gösterecek şekilde değişir. Işıklar Şekil 2'te gösterilmektedir.

Ses Asistanı düğmesine basılması tetikleyici kelimeyi söylemeye gerek kalmadan ses asistanıyla konuşmanızı sağlar. Bu özelliği kullanabilmek için Panorama 3'te ses hizmetini etkinleştirmeniz gerekir.

## 13. Temizlik

Panorama 3'ün temizlenmesi gerektiğinde cihazın üst yüzeyini temiz, tüy bırakmayan bir bezle silebilir ve hoparlör izgarasını yumuşak bir fırça ile temizleyebilirsiniz. Temizleme sıvısı kullanmak istiyorsanız sıvı doğrudan Panorama 3'e değil, temizlik bezinin üzerine uygulayın. Bazı temizlik ürünleri belirli yüzeylere zarar verebileceği için, önce küçük bir alanda deneme yapın. Aşındırıcı ya da asit, alkali veya antibakteriyel maddeler içeren ürünler kullanmayın.

## 14. Destek

Ürününüz hakkında daha fazla destek veya tavsiyeye ihtiyaç duymanız halinde lütfen [www.bowerswilkins.com/support](http://www.bowerswilkins.com/support) adresinden destek sitesini ziyaret edin.

## 15. Çevresel Bilgiler

Bu ürün etkileşime gerek kalmadan güç durumunu kendi kendine yönetir. Cihaz bir ağa bağlı olup kullanılmadığı takdirde cihazın güç tüketimi otomatik olarak 2 watt'ın altına düşer.

Bu ürün, elektrikli ve elektronik ekipmanlarda Tehlikeli Maddelerin Kısıtlanması (RoHS), Kimyasalların Kaydı, Değerlendirilmesi, İzni ve Kısıtlanması (REACH) ve Elektrikli ve Elektronik Ekipman Atıklarının bertarafı (WEEE) da dahil fakat bunlarla sınırlı olmamak üzere uluslararası direktiflere uygundur. Bu ürünün düzgün bir şekilde nasıl geri dönüştürüleceği veya imha edileceğine dair öneriler için bulunduğunuz yerdeki atık imha kurumuna danışın.

İşık		Çalışma durumu
Yanıp sönen beyaz		Cihaz başlatılıyor
Yavaşça yanıp sönen sarı		Cihaz kurulum için hazır
Yanıp sönen sarı		Bellenim güncellemesi yapılıyor
Yavaşça yanıp sönen beyaz		Sesli içerik hazırlanıyor
Yavaşça yanıp sönen kırmızı		Hata - destekle iletişime geçin
Kesintisiz kırmızı		Hata - destekle iletişime geçin
Yanıp sönen kırmızı		Fabrika ayarlarına döndürülüyor
Yanıp sönen mavi		Bluetooth eşleştirme modu
Kesintisiz mavi		Bluetooth bağlantısı kuruldu

Şekil 2

Çok Fonksiyonlu düğme gösterge ışıkları

## Teknik Özellikler

Teknik Özellikler	Bowers & Wilkins Music Uygulaması ile uyumludur Apple AirPlay 2 Spotify Connect Bluetooth Alexa enabled Dolby TrueHD Discrete Dolby Atmos 3.1.2 HDMI eARC
Ses Formatı Desteği	Dolby Atmos Dolby Digital True HD Dolby Digital Plus LPCM
Bluetooth	5.0, sınıf 2
Bluetooth Kodikleri	aptX™ Adaptive AAC SBC
AirPlay 2 Uyumluluğu	iOS 11.4 veya üzeri sürüme sahip iPhone, iPad ve iPod touch, tvOS 11.4 veya üzeri sürüme sahip Apple TV 4K veya Apple TV (4. Nesil), iTunes 12.8 veya üzeri sürüme sahip Mac veya PC
Amplifikatör Güç Çıkışı	400W
Sürücü Üniteleri	3x 19mm (0.75") Titanyum kubbeli tweeter 6x 50mm (2") Dokunmuş cam fiber koni bas/orta frekans hoparlörü 2x 50mm (2") Dokunmuş cam fiber koni Atmos sürücü ünitesi 2x 100mm (4") Düşük profilli bas ünitesi
Frekans Tepkisi	43Hz–48kHz
Boyutlar	65mm (y) x 1210mm (g) x 140mm (d)
Ağırlık	6,5kg
Bağlantılar	1x HDMI ARC/eARC 1x Dijital Ses Girişi (Toslink) 1x RJ45 Ethernet 1x USB-C (sadece servis için)
Giriş Voltajı	100V-240V, 50/60Hz
Bekleme Modunda Güç Tüketimi	2 watt'ın altında

HDMI ve HDMI High-Definition Multimedia Interface terimleri ile HDMI Logosu HDMI Licensing Administrator, Inc.'nin Amerika Birleşik Devletleri ve diğer ülkelerdeki ticari markaları veya tescilli ticari markalardır. Dolby, Dolby Atmos ve Dolby Digital Plus Dolby Laboratories'in tescilli ticari markalardır. Apple, AirPlay, Apple Music, iOS, iPhone, iPad, iPod touch, iTunes, Apple TV, Mac, macOS, OS X, ve tvOS Apple Inc.'nin ABD ve diğer ülkelerde kayıtlı tescilli ticari markalardır. "iPhone" ticari markası Japonya'da Aiphone KK firmasından izin alınarak kullanılmaktadır. Spotify ve Spotify Connect Spotify AB'nin ticari markalardır. Spotify Connect'in mevcudiyeti bölgenize bağlı olarak değişebilir; lütfen daha fazla bilgi için [www.spotify.com](http://www.spotify.com) adresini ziyaret edin. Amazon, Alexa ve tüm ilgili logolar Amazon.com, Inc. veya iştiraklerinin ticari markalardır. Android Google LLC'nin bir ticari markasıdır. aptX Qualcomm Technologies, Inc.'nin ve/veya iştiraklerinin bir ürünüdür. aptX Qualcomm Technologies International, Ltd.'nin Amerika Birleşik Devletleri ve diğer ülkelerde kayıtlı bir ticari markasıdır. Bluetooth kelime markası ve logoları Bluetooth SIG, Inc.'e ait tescilli ticari markalardır ve bu markaların Bowers & Wilkins tarafından her türlü kullanımı lisans kapsamındadır. Diğer ticari markalar ve ticari isimler ilgili sahiplerine aittir.

## 欢迎使用Bowers & Wilkins Panorama 3回音壁

John Bowers最初创建Bowers & Wilkins (宝华韦健) 时, 他坚信富有想象力的设计, 创新的工程制造和先进的技术是在家享受音乐的关键。这种信念一直激励着我们设计每一款产品。

Panorama 3是一款联网的无线有源扬声器, 性能出色。Panorama 3的设计宗旨是使用Bowers & Wilkins Music应用程序配置和控制。该应用程序可用于iOS和Android设备。一些常用的控制功能也可以通过 Panorama 3 顶部面板上的隐藏按钮来使用。只有使用Bowers & Wilkins Music应用程序才能安装和配置Panorama 3。

Panorama 3 可实现

- 通过HDMI® ARC/eARC连接电视后, 播放电视音频。
- 通过数字音频光纤接口与电视相连后, 播放电视音频。
- 聆听喜马拉雅等流媒体服务的音频 (不同国家或地区的服务不同, 请以当地App显示的服务为准)。
- 使用蓝牙, 从支持的蓝牙源设备聆听音频。
- 使用连接到家庭网络的兼容Bowers & Wilkins无线扬声器, 聆听在家中任何位置播放的音频。\*

要将Panorama 3接入家庭网络, 并与家中其他产品相连, 须使用Bowers & Wilkins Music应用程序。在使用过程中, Bowers & Wilkins Home应用程序也提供一些控制和配置功能。在开始安装Panorama 3之前, 请在iOS或Android设备上下载并安装Bowers & Wilkins Home应用程序。Bowers & Wilkins Home应用程序支持iOS 11.4以上版本, 或Android V8.1以上版本。iOS或Android设备必须启用蓝牙和WiFi服务。当然, 必须知道WiFi网络的密码。

*注: 在安装过程中, Android设备必须启用位置服务。这是因为兼容的Bowers & Wilkins产品使用低功率的蓝牙 (BT-LE) 来实现服务通信, 而该功能只有当Android设备的定位服务被允许时才能启用。Bowers & Wilkins 不会将任何位置服务数据用于营销目的。*

\* 将于2022年启用的功能

## 1. 附件包含

Panorama 3扬声器  
电源线  
HDMI连接线  
墙装架  
资料包

## 2. Panorama 3的安装位置

您的 Panorama 3 设计用于与您的电视配合使用，因此需要靠近电视。与电视连接后，必须连接HDMI及主电源才能使用Panorama 3，因此Panorama 3应位于主电源插座和HDMI连接范围内。如果您的Panorama 3使用有线连接到您的家庭网络，则需要将其放置在合适的网络(以太网)电缆的距离范围内。

Panorama 3 可以放在架子、桌子或家具上，也可以放在专用的墙装托架上进行壁挂安装，该托架随Panorama 3附送。如决定将Panorama 3放在架子上，应确保架子能够轻松地承受扬声器的重量。如安装的家具或货架板很脆弱或共振，扬声器的性能可能会降低。

注：如将Panorama 3安装在墙架上，请确保安装支架与其包含的说明一致。如不确定墙壁是否适合安装，或不确定安装墙壁支架的承重性能，应寻求专家的帮助。

与绝大多数扬声器一样，Panorama 3不仅可以向前方，还能向顶部、侧面和后方传递声音。因此，如Panorama 3放置在接近房间墙壁，特别是角落的位置，低音可能会过度强调。如发现Panorama 3的低音太突出，将其移动到另一个位置可能会有所改善，也可以使用Bowers & Wilkins Music应用程序的设置菜单调整低音水平。

## 2.1 连接

除了主电源插座之外，Panorama 3还配有一个HDMI ARC/eARC接口、一个光纤音频接口可供使用。可以使用以太网端口将Panorama 3连接到有线(以太网)进行连接。

建议主要通过HDMI将Panorama 3与电视机相连，并连接电视机的ARC接口。如果电视机没有支持HDMI连接的ARC或eARC接口，则可用光纤数字音频线将Panorama 3与电视连接起来。

注：为了让Panorama 3与电视的连接发挥出更强的功能和性能，建议启用ARC(及eARC，如电视机上有此接口)和CEC。各电视品牌启用该等功能的方式各有不同，建议参考电视机使用说明书，了解更多信息。另外建议将电视机设为直通或旁路模式，以便欣赏其它与电视相连设备的杜比全景声®动人音乐。

## 2.2 首次连接

在完成所有连接后，在移动设备上安装了Bowers & Wilkins Music应用程序，并将电视设置为与所选连接方式一样的使用情况后，即可设置使用Panorama 3。

Panorama 3没有电源开关，连接电源后，将运行一个简短的启动程序，然后可随时使用。启动程序包括启动扬声器，连接网络，与流媒体服务建立链接，这个过程可能需要一些时间。在此期间，多功能按钮将在启动过程中闪烁白色，在建立网络连接时呈琥珀色黄光闪烁。启动程序完成时，它将播放音频提示音。

首次启动后，全新Panorama 3将自动进入设置模式，连接家庭网络。多功能按钮脉冲琥珀色光，表示Panorama 3进入设置模式(见图1)。Panorama 3也将出现在Bowers & Wilkins Music App应用程序中，从应用程序设置页面弹出，或选择“添加产品”后显示，可用于设置。

Panorama 3完全自动管理其运行状态和耗电量，如20分钟内未使用，将自动切换到省电模式。没有必要关闭Panorama 3，然而，如要关闭，只需断开电源。在断电的情况下，Panorama 3仍能保持原有的设置。

## 3. 重新启动/重启

Panorama 3后部面板上有一个复位按钮，短按后放开即可重启Panorama 3(见图1)。按下这个按钮将再次重启Panorama 3。重新启动Panorama 3，所有设置依然保留。也可以使用Bowers & Wilkins Music应用程序设置页面重新启动Panorama 3。

## 4. 恢复出厂设置

如果您希望将Panorama 3重置为出厂默认设置，请按住重置按钮五秒钟。重置按钮位置如图1所示。重置过程将由红色多功能按钮灯和音频提示；此过程将关闭Panorama 3。重新启动时，Panorama 3将进入设置模式。当您的Panorama 3恢复出厂后，所有设置都将被删除。您还可以通过Bowers & Wilkins Music应用程序设置菜单重置您的Panorama 3。

## 5. 网络设置

Panorama 3进入设置模式后，多功能按钮脉冲琥珀色，iOS或Android设备启动Bowers & Wilkins Music应用程序。该应用程序将显示提示，指导用户完成安装过程。

注：在安装过程中，Panorama 3使用蓝牙连接到运行Bowers & Wilkins Home应用程序的设备。蓝牙信号的范围相对较短，可能无法穿越墙壁，所以，我们建议在安装过程中，Panorama 3和Bowers & Wilkins Home应用程序设备保持在产品附近。

Bowers & Wilkins Music应用程序需要创建一个用户账户。第一次下载应用程序时，用户需要登录账户，如已有账户，只需输入账户，如没有账户，需要创建新账户。用户需要输入用户名和密码。也可以在设置之前修改账户通知。创建新账户后，用户需要需点击已发送至其电子邮件地址的链接，验证电子邮件地址。

Bowers & Wilkins Music应用程序首先搜索设置模式中的产品，然后，将自动提示用户开始设置程序。或者，用户也可以在设置菜单中设置新产品，在“你的设备”下选择“添加产品”。

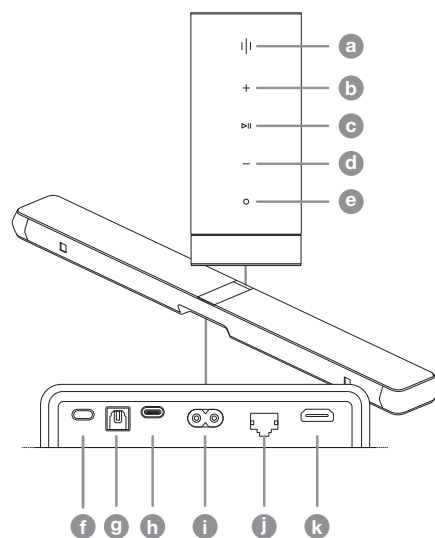


图1  
Panorama 3控制面板和连接口

### 按钮/连接端口

- a 多功能按钮
- b 提高音量
- c 播放/暂停
- d 降低音量
- e 语音助手\*
- f 重置, 复位
- g 数字输入
- h 售后服务用
- i 电源
- j 以太网
- k HDMI (ARC/eARC)

\*“语音助手”功能中国目前不支持，长按此键可以关闭前语音助手显示器。

Bowers & Wilkins Music应用程序的设置过程会要求用户指定使用Panorama 3的“空间”。程序将提供空间建议名称列表，但用户也可以自行创建名称。在选择或创建空间名称时，应用程序将要求用户按下Panorama 3顶部的多功能按钮确认选择。

如Panorama 3使用无线网络连接，下一个安装阶段是Panorama 3连接到家里的WiFi网络。该应用程序将要求用户确认正确的WiFi网络，并输入WiFi密码。或者，如果您的Panorama 3使用以太网电缆连接到您的网络路由器，则此阶段设置过程将被绕过。

注：如已有兼容的Bowers & Wilkins其他产品连接WiFi网络，Panorama 3将不要求输入WiFi密码，因为Quick Connect功能将安全地共享密码。

完成WiFi网络配置和空间选择后，须对连接电视的输入方式进行配置。应用程序将引导您完成电视设置。如通过HDMI ARC/eARC与电视相连，那么Bowers & Wilkins Music应用程序将显示将Panorama 3接入电视的具体步骤，并启用CEC，以便您通过电视机或机顶盒遥控器控制Panorama 3播放的音频。当通过光纤连接器与电视连接时，Bowers & Wilkins Music应用程序将指导您如何将Panorama 3连接到电视，并禁用电视的内部扬声器，随后会询问您是否希望Panorama 3接收电视遥控器的IR指令，以便使用遥控器操作Panorama 3。

注意：如果Panorama 3在设置过程中没有收到IR命令，您可能需要在电视上启用外部设备IR支持。有关详细信息，请参阅您的电视手册。

## 6. 独立蓝牙设置

用户可以通过蓝牙使用Panorama 3，但无需将产品连接到网络。Panorama 3处于设置模式下时，多功能按钮脉冲琥珀光，按住多功能按钮5秒钟。Panorama 3启动，响起提示音，多功能按钮闪烁蓝色光。这表明Panorama 3处于蓝牙配对模式，可以通过源设备蓝牙菜单连接到它。Panorama 3出现在“Panorama 3”名称下的蓝牙菜单中。

注：在这种配置中，无法再设置产品加入网络。当Panorama 3处于“独立蓝牙”模式时，为了将其连接到网络，需要使用产品背面的复位按钮，将产品恢复至出厂设置（见第4节）。

Panorama 3可与多个设备配对，按住多功能键5秒钟即可进入配对模式。Panorama 3最多可与8个设备配对。

注：Panorama 3配对模式将持续2分钟，如在此期间没有完成设备配对，则会超时。长按多功能键进入配对模式。

## 7. 如何使用Panorama 3

### 7.1 “空间”

空间是Bowers & Wilkins Music应用程序和兼容产品的核心概念。“空间”是在家中欣赏音乐的房间或特定区域。在同一空间内，Panorama 3无法与其他任何设备一起使用。

### 7.2 支持杜比音效

Panorama 3将支持以下格式的杜比数字音频：

- 杜比数字
- 杜比数字+™
- 杜比全景声
- 杜比TrueHD

对于以上所有这些音频格式，Panorama 3将自动优化播放并呈现出出色的音频性能。

### 7.3 流媒体音乐

Panorama 3可播放喜马拉雅\*等流媒体服务的音频，可直接通过Bowers & Wilkins Music应用程序，也可通过AirPlay® 2或蓝牙播放各种流媒体音乐。

\*支持的流媒体内容会不断升级优化

### 7.4 通过Bowers & Wilkins Music应用程序播放音频

连接产品，在应用程序中启用音乐流媒体服务后，即可从流服务中浏览音乐。选择想要播放的曲目，只需点击“播放”按钮。如只有一个空间，音乐将自动在该空间播放。如有多个空间，点击“播放”，家里的可用空间将显示为列表，点击选择播放的空间，音频就会在选定的空间播放。

### 7.5 通过Spotify Connect播放音频\*

手机、平板电脑或电脑均可用作Spotify的遥控器。如需了解操作详情，请登录：  
<https://www.spotify.com/connect>。

\*不同国家或地区，根据当地的法规或环境，Spotify Connect的支持情况不同。

### 7.6 通过AirPlay播放音频

AirPlay支持Apple手机、笔记本电脑或台式设备上的应用程序通过网络将音频传输到兼容AirPlay的扬声器，如Panorama 3。AirPlay支持的应用程序将显示AirPlay图标。

使用AirPlay时，打开手机里想要使用的应用程序，选择想要播放的内容。点击AirPlay图标，显示可用设备列表，然后选择播放空间。

### 7.7 通过蓝牙播放音频

蓝牙支持移动设备、笔记本电脑或台式设备上的音频应用程序从无线连接的Panorama 3播放音频。

使用蓝牙时，首先需要将设备与Panorama 3配对。在Bowers & Wilkins Music应用程序中选择设置，然后选择包含想要配对的设备的空间。选择“配对新设备”将使Panorama 3进入蓝牙配对模式。进入设备的蓝牙菜单，即可与Panorama 3配对。Panorama 3将使用蓝牙配对菜单中的空间名称。配对完成后，可使用源设备上的任何应用程序播放音频。在Bowers & Wilkins Music应用程序中，可查看Panorama 3的配对设备列表。

注：Panorama 3的配对模式持续2分钟，如在此期间未完成设备配对，则会超时。如需重新进入配对模式，请重复以上步骤。

## 8. Bowers & Wilkins Music应用程序

Bowers & Wilkins Music应用程序将在主页打开。在页面的底部有四个导航图标，分别显示应用程序的主要部分：浏览、音乐库、搜索和设置，黄色的图标表示当前所处的页面。

### 8.1 浏览

Bowers & Wilkins Music应用程序的浏览页面以带状视图排列多行内容，可以左右滑动进行搜索。浏览页面显示的推荐播放列表根据用户的音乐喜好、最近播放的音乐，以及Bowers & Wilkins推荐的播放列表生成。用户还可以向下滚动，浏览链接到应用程序的特定流媒体服务的音乐。

注：推荐音乐根据用户喜欢的流派、艺术家、专辑和曲目推荐。如喜欢某个音乐，只需点击心形符号。标注“喜欢”的音乐越多，推荐就会越准确。推荐与用户对应，保存在用户的Bowers & Wilkins帐户中，但不链接到音乐流媒体服务。

### 8.2 音乐库

“音乐库”页面分组列出用户在Bowers & Wilkins Music应用程序或流媒体服务中喜欢的所有音乐。用户可以通过音乐、播客和广播搜索内容。如喜欢流媒体服务原生应用程序中的内容，它可能不会立即出现在Bowers & Wilkins Music应用程序的“音乐库”中。

### 8.3 搜索

用户可以使用Bowers & Wilkins Music应用程序的搜索功能搜索音乐。该应用程序将从所有连接的流媒体服务搜索结果。

## 8.4 设置

“设置”页面允许在家中配置多个产品。设置页面分为多个的部分：

- **你的空间**  
它列出了家中的所有空间，从这里可以配置个人设备。
- **你的账户**  
登录帐户后可以修改账户信息，也可以将任何音乐服务链接到你的应用程序。
- **你的产品**  
在这里，用户可以更新家中的任何产品。

## 8.5 链接流媒体服务

Bowers & Wilkins Music应用程序可以帮助用户从许多流媒体服务选择和播放音乐，如Qobuz、Tidal、Deezer和其他。为此，Bowers & Wilkins Music应用程序需要链接到用户的音乐流媒体服务。这可以在设置中完成，点击“你的账户”中的“链接服务”按钮。点击并按照屏幕上的说明操作即可。

## 8.6 播放器视图

当Panorama 3播放音频时，用户可以控制音量，播放/暂停音频，向前和向后跳过。点击屏幕左上角的向下箭头，可最小化播放器视图。最小化后的播放器视图位于主屏幕底部。点击缩小的播放器视图，即可最大化视图。

## 9. 软件更新

Panorama 3是一款联网扬声器，因此，可以通过软件更新提升可靠性，启用新功能和特性。当网络中的任何产品存在软件更新时，设置图标上会标出记号。进入设置页面，可查看已发布的更新。点击此按钮，更新网络中需要更新的全部产品。

## 10. 音频调整

扬声器位置可能对性能产生影响，扬声器靠近墙壁会过度强调低音，如扬声器不是正对用户，高频内容可能会压低。因此，可以调整Panorama 3的低音和高音设置，在房间内更灵活地选择位置。调整时，请选择“设置”，然后选择需要调整的产品所在空间的名称，然后选择设备。调整低音和高音，每次调整单位-6dB至+6dB。切断电源时，Panorama 3将存储这些设置，但恢复为出厂设置后会被重置。

## 11. Amazon Alexa\*

Panorama 3是一款智能扬声器，内置Amazon Alexa语音助手。启用语音助手时，在Bowers & Wilkins Music应用程序上，进入“设置”页面。选择“设置”，然后选择包含希望启用语音助手的Panorama 3的空间。接下来，选择设备。显示进入设备设置界面。可以通过链接到Amazon帐户启用Amazon Alexa。只需点击链接，并按照说明操作。用户可随时取消Alexa账户与Panorama 3的连接。

要与Alexa对话时，只需说出触发词“Alexa”或按下Panorama 3上的语音助手按钮。长按语音助手按钮，即可让Alexa静音。

\*不同国家或地区，根据当地的法规或环境，Amazon Alexa的支持情况不同。

## 12. Panorama 3控制

Panorama 3上部面板配有播放/暂停、音量调节和语音助手等功能的按钮——参见图1。

按下播放/暂停，停止和恢复音频播放。

按音量增加或减少，调整正在播放的音频的音量。按住和按钮将不断增加或减少音量。

按住语音助手按钮，可在无需说出触发词的情况下与语音助手对话。这个功能需要在Panorama 3上启用语音服务。

触摸多功能按钮将循环播放Panorama 3可用的有效媒体和来源。Panorama 3多功能按钮灯光变化，表示各种操作状态。灯光状态如图2所示。

## 13. 清洁

如Panorama 3需要清洁，可使用干净的无绒布擦拭顶部表面，并用软刷轻轻刷格栅。如使用清洗液，请将其涂抹在清洁布上，而不是直接涂抹在Panorama 3上。首先测试一小块区域，因为一些清洁产品可能会损坏某些表面。避免使用研磨性的产品，或含有酸、碱或抗菌剂的产品。

## 14. 客户支持

如需关于产品的进一步帮助或建议，请访问支持网站 [www.bowerswilkins.com/support](http://www.bowerswilkins.com/support)。

## 15. 环保信息

本产品自动管理其电源状态，不需要其他操作。已连接到网络但不使用时，功耗自动降低至2W以下。

本产品符合国际指令，包括但不限于《关于在电子电气设备中限制使用某些有害物质的指令》(RoHS)、《化学品的注册、评估、授权和限制制度》(REACH)和《电气电子废弃物指令》(WEEE)。有关如何正确回收或处置本产品的指导，请咨询当地废物处理部门。

灯光	状态
快闪白光	 正在启动
慢闪琥珀光	 设置准备中
快闪琥珀光	 正在进行固件更新
慢闪白光	 音频准备中
慢闪红光	 错误-联系支持人员
常亮红光	 错误-联系支持人员
快闪红光	 正在恢复至工厂设置
闪烁蓝光	 蓝牙配对模式
常亮蓝光	 蓝牙连接已建立

图二  
多功能指示灯

## 规格

技术特性	兼容Bowers & Wilkins Music 应用程序 苹果Airplay 2 蓝牙 杜比TrueHD 杜比全景声 3.1.2 HDMI eARC
音频格式支持	杜比全景声 杜比数字True HD 杜比数字+ LPCM
蓝牙编解码器	aptX™ Adaptive自适应 AAC SBC
AirPlay 2 兼容性	使用iOS 11.4或更高版本的iPhone、iPad和iPod touch, 使用tvOS 11.4或更高版本的苹果电视4K或苹果电视(第四代), 使用iTunes 12.8或更高版本的Mac或PC
功率输出	400W
驱动单元	3X19毫米(0.75英寸) 钛膜高音单元 6 X 50毫米(2英寸) 玻璃纤维音盆中低音单元 2 X 50毫米(2英寸) 玻璃纤维音盆全景声驱动单元 2 X 100毫米(4英寸) 低音炮低音单元
频率响应	43Hz–48kHz
尺寸	65毫米(高) x 1210毫米(宽) x 140毫米(深)
重量	6.5kg
连接	1x HDMI ARC/eARC 1x 数字音频输入(Toslink) 1x RJ45以太网 1x USB-C (仅用于连接)
输入电压	100V-240V, 50/60Hz
功耗	低于 2 瓦

词语HDMI和HDMI高清多媒体接口以及HDMI徽标是HDMI Licensing Administrator, Inc.在美国和其他国家的商标或注册商标。杜比(Dolby)、杜比全景声(Dolby Atmos)和杜比数字+(Dolby Digital Plus)是Dolby Laboratories的注册商标。Apple、AirPlay、Apple Music、iOS、iPhone、iPad、iPod touch、iTunes、Apple TV、Mac、macOS、OS X和tvOS是Apple Inc.在美国和其他国家注册的商标。在日本,“iPhone”商标是由Aiphone KK授权使用的。Spotify和Spotify Connect是Spotify AB的商标。Spotify Connect的可用性可能取决于您所在的地区,请查看[www.spotify.com](http://www.spotify.com),了解更多详情。Amazon、Alexa和所有相关标识是Amazon.com, Inc.或其附属公司的商标。安卓是Google LLC的商标。aptX是Qualcomm Technologies, Inc.和/或其子公司的产品。aptX是Qualcomm Technologies International, Ltd.在美国和其他国家注册的商标。蓝牙字样和徽标是Bluetooth SIG, Inc.的注册商标, Bowers & Wilkins对这些标志的任何使用都已获得许可。其他商标和商品名称是其各自所有者的商标和商品名称。

## 歡迎選擇Bowers & Wilkins和Panorama 3

John Bowers最初創建Bowers & Wilkins (寶華韋健) 時, 他堅信富有想象力的設計, 創新的工程製造和先進的技術是在家享受音樂的關鍵。這種信念一直激勵著我們設計每一款產品。

Panorama 3是一款網絡連接的無線有源揚聲器, 性能極高。Panorama 3的設計宗旨是使用Bowers & Wilkins Music應用程序設定和控制。該應用程序可用於iOS和Android™設備。一些常用的控制功能也可以通過 Panorama 3 頂部面板上的隱藏按鈕來使用。只有使用Bowers & Wilkins Music應用程序才能安裝和設定Panorama 3。

Panorama 3 將使您能夠：

- 通過 HDMI® ARC/eARC 連接收聽來自電視的音頻。
- 通過數字音頻光纖連接收聽來自電視的音頻。
- 聆聽Apple Music、Tidal、qobuz、Deezer、Spotify®等流媒體服務的音頻(不同國家或地區的服務種類不同, 並在未來不斷的更新, 具體以當地App中顯示支持的服務項目為準)。
- 使用藍牙, 從支持的藍牙源設備聆聽音頻。
- 使用連接到家庭網絡的兼容Bowers & Wilkins無線揚聲器, 聆聽在家中任何位置播放的音頻。\*

需要 Bowers & Wilkins Music應用程序將您的 Panorama 3 連接到您的家庭網絡, 並與您家中的其他產品建立連接。在使用過程中, Bowers & Wilkins Music 應用程序也提供一些控制和設定功能。在開始安裝Panorama 3之前, 請在iOS或Android設備上下載並安裝Bowers & Wilkins Music應用程序。Bowers & Wilkins Music應用程序需要iOS 11.4以上版本, 或Android V8.1以上版本。必須在您的 iOS 或 Android 設備上啟用藍牙和 WiFi 服務。您還需要知道您的 WiFi 網絡密碼。

注: 在安裝過程中, Android設備必須啓用定位服務。這是因為兼容的 Bowers & Wilkins 產品使用低功耗藍牙 (BT-LE) 形式進行服務通信, 在 Android 設備上只有在允許定位服務時才啟用。Bowers & Wilkins 不會將任何位置服務數據用於營銷目的。

\* 將於 2022 年啟用的功能



## 1. 紙箱內包括

Panorama 3揚聲器  
電源線  
HDMI線  
壁掛支架  
資料包

## 2. 安裝您的 Panorama 3

您的 Panorama 3 設計用於與您的電視配合使用，因此需要靠近它。連接到電視時，Panorama 3 需要 HDMI 連接和主電源才能運行，因此它必須位於電源插座和 HDMI 連接的範圍內。如果您的 Panorama 3 使用有線連接到您的家庭網絡，則需要將其放置在合適的網絡（以太網）電纜的範圍內。

您的 Panorama 3 可以放置在架子、桌子或家具上，也可以使用隨 Panorama 3 附上的專用掛牆支架，掛在壁牆上。如決定將 Panorama 3 放在架子上，應確保架子能夠輕鬆地承受揚聲器的重量。如安裝的傢具或貨架板很脆弱或共振，揚聲器的音頻性能可能會降低。

注：如將 Panorama 3 安裝在牆壁上，請務必按照隨附的說明安裝支架。如果您不確定牆壁的適用性或您安裝壁掛支架的能力，您應該尋求專家幫助。

與絕大多數揚聲器一樣，Panorama 3 不僅會向前方，而且會向頂部、側面和後方發出聲能。因此，如 Panorama 3 放置在接近房間牆壁，特別是角落的位置，低音可能會過度強調。如發現 Panorama 3 的低音太突出，將其移動到另一個位置可能會有所改善，也可以使用 Bowers & Wilkins Music 應用程序的設置菜單調整低音水平。

## 2.1 連接

除了主電源插座，您的 Panorama 3 揚聲器還具有 HDMI ARC/eARC 連接、光纖音頻連接和用於服務的 USB-C 連接。可以使用以太網端口將 Panorama 3 連接到有線（以太網）連接。

推薦使用 HDMI 與電視作主要連接，我們建議您將 Panorama 3 連接到電視的 ARC 插座。如果您的電視沒有帶 ARC 或 eARC 的 HDMI 連接，那麼您可以使用光纖數字音頻連接將 Panorama 3 連接到電視。

注意：為了讓您的 Panorama 3 與您的電視一起獲得最佳功能和性能，我們建議您啟用 ARC（和 eARC，如果您的電視上可用）和 CEC。每個電視品牌都有不同的方式來啟用這些功能，我們建議您參閱電視手冊了解更多信息。我們還建議將電視設置為直通或旁通模式，以便從連接到電視的其他設備上的支持 Dolby® Atmos® 的內容中享受最佳音頻性能。

## 2.2 初始連接

完成所有連接後，在您的移動設備上安裝 Bowers & Wilkins Music 應用程序，並將您的電視配置為使用所選的連接方法，您的 Panorama 3 就可以設置了。

Panorama 3 沒有電源開關，連接電源後，將運行一個簡短的啟動程序，然後可隨時使用。啟動程序包括啟動揚聲器，連接網絡，與流媒體服務建立鏈接，這個過程可能需要一些時間。在此期間多功能按鈕將在啟動時閃爍白色，在建立網絡連接時閃爍琥珀色。啟動程序完成時，它將播放音頻提示音。

首次啟動後，全新 Panorama 3 將自動進入設置模式，連接家庭網絡。多功能按鈕慢閃琥珀色光，表示 Panorama 3 進入設置模式（見圖 1）。Panorama 3 也將出現在 Bowers & Wilkins Music 應用程序中，從應用程序設置頁面彈出，或選擇「添加產品」後顯示，便可設置。

Panorama 3 完全自動管理其運行狀態和耗電量，如 20 分鐘內未使用，將自動切換到省電模式。沒有必要關閉 Panorama 3，然而，如要關閉，只需斷開電源。在斷電的情況下，Panorama 3 仍能保持原有的設置。

## 3. 重新啟動/重啓

Panorama 3 後部面板上有一個重設按鈕，短按後放開即可重啓 Panorama 3（見圖 1）。按下這個按鈕將再次重啓 Panorama 3。重新啟動 Panorama 3，所有設置依然保留。也可以使用 Bowers & Wilkins Music 應用程序設置頁面重新啟動 Panorama 3。

## 4. 恢復出廠設置

如要重設 Panorama 3 到出廠默認設置時，按住重設按鈕 5 秒。重設按鈕的位置如圖 1 所示。重置過程將由紅色多功能按鈕和音頻提示指示；此過程將關閉 Panorama 3。重置完成後，Panorama 3 進入設置模式。重置時，Panorama 3 的原有設置將全部刪除。Bowers & Wilkins Music 應用程序的“設置”菜單也可以用於 Panorama 3 重置。

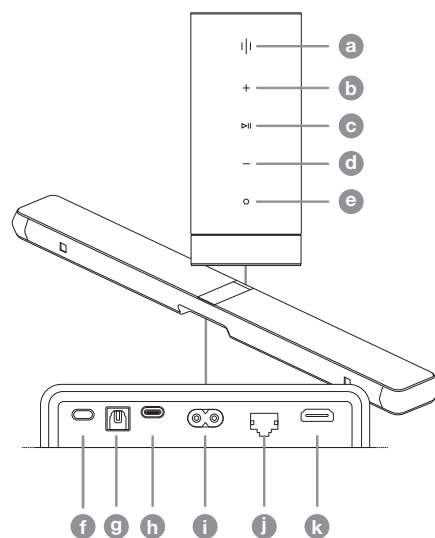
## 5. 網絡設置

Panorama 3 進入設置模式後，多功能按鈕慢閃琥珀色，iOS 或 Android 設備啟動 Bowers & Wilkins Music 應用程序。該應用程序將顯示提示，指導用戶完成安裝過程。

注：在安裝過程中，Panorama 3 使用藍牙連接到運行 Bowers & Wilkins Music 應用程序的設備。藍牙信號的範圍相對較短，可能無法穿越牆壁，所以，我們建議在安裝過程中，Panorama 3 和 Bowers & Wilkins Music 應用程序設備保持在產品附近。

Bowers & Wilkins Music 應用程序需要創建一個用戶賬戶。第一次下載應用程序時，用戶需要登錄賬戶，如已有賬戶，只需輸入賬戶，如沒有賬戶，需要創建新賬戶。用戶需要輸入用戶名和密碼。也可以在設置之前修改賬戶通知。創建新賬戶後，用戶需要需點擊已發送至其電子郵件地址的鏈接，驗證電子郵件地址。

Bowers & Wilkins Music 應用程序首先搜索設置模式中的產品，然後，將自動提示用戶開始設置程序。或者，用戶也可以在設置菜單中設置新產品，在“你的設備”下選擇“添加產品”。



### 按鈕/連接

- a 多功能
- b 提高音量
- c 播放/暫停
- d 音量減小
- e 語音助手
- f 重啟
- g 數字輸入
- h 服務
- i 電源
- j 以太網
- k HDMI (ARC/eARC)

圖一  
Panorama 3 控制面板和連接器

Bowers & Wilkins Music應用程序的設置過程會要求用戶指定使用Panorama 3的“空間”。程序將提供空間建議名稱列表，但用戶也可以自行創建名稱。在選擇或創建空間名稱時，應用程序將要求用戶按下Panorama 3頂部的多功能按鈕確認選擇。

如Panorama 3使用無線網絡連接，下一個安裝階段是Panorama 3連接到家裡的WiFi網絡。該應用程序將要求用戶確認正確的WiFi網絡，並輸入WiFi密碼。或者，如果您的Panorama 3使用以太網電纜連接到您的網絡路由器，則設置過程的此階段將被繞過。

注：如已有兼容的Bowers & Wilkins其他產品連接WiFi網絡，Panorama 3將不要求輸入WiFi密碼，因為Quick Connect功能將安全地共享密碼。

完成WiFi網絡配置和空間選擇後，您將需要配置您為連接到電視而選擇的輸入。該應用程序將引導您完成電視的設置。如果您已使用HDMI ARC/eARC連接到電視，Bowers & Wilkins Music應用程序將向您展示如何將Panorama 3連接到電視並啟用CEC。這使您可以使用電視或機頂盒遙控器控制Panorama 3上的音頻。如果您使用光纖連接器連接了電視，Bowers & Wilkins Music應用程序將向您展示如何將Panorama 3連接到電視並禁用電視的內置揚聲器。接下來將詢問您是否希望Panorama 3學習電視遙控器的IR命令，從而允許您使用此遙控器控制Panorama 3。

注意：如果Panorama 3在設置過程中沒有收到IR命令，您可能需要在電視上的外部設備上啟用IR支持。有關詳細信息，請參閱您的電視手冊。

## 6. 獨立藍牙設置

用戶可以通過藍牙使用Panorama 3，但無需將產品連接到網絡。Panorama 3處於設置模式下時，多功能按鈕慢閃琥珀光，按住多功能按鈕5秒鐘。Panorama 3啟動，響起提示音，多功能按鈕快閃藍色光。這表明Panorama 3處於藍牙配對模式，可以通過音源設備藍牙菜單連接到它。Panorama 3會出現在“Panorama 3”名稱下的藍牙菜單中。

注：在這種設定中，無法再設置產品加入網絡。當Panorama 3處於獨立藍牙模式時，為了將其連接到網絡，需要使用產品背面的重設按鈕，將產品恢復至出廠設置（見第4節）。

Panorama 3可與多個設備配對，按住多功能鍵5秒鐘即可進入配對模式。Panorama 3最多可與8個設備配對。

注：Panorama 3配對模式將持續2分鐘，如在此期間沒有完成設備配對，則會超時。長按多功能鍵進入配對模式。

## 7. 如何使用Panorama 3

### 7.1 空間

空間是Bowers & Wilkins Music應用程序和兼容產品的核心概念。“空間”是在家中欣賞音樂的房間或特定區域。在同一空間內，Panorama 3無法與其他任何設備一起使用。

### 7.2 Dolby支持

Panorama 3將支持以下格式的Dolby數字音頻：

- Dolby Digital
- Dolby Digital Plus™
- Dolby Atmos
- Dolby TrueHD

對於所有這些音頻格式，Panorama 3將自動優化播放並提供可能的最佳音頻性能。

### 7.3 流媒體音樂

您可以使用Panorama 3播放來自Spotify、Apple Music、Qobuz和Tidal等流媒體服務的音頻。這些可以直接從Bowers & Wilkins Music應用程序、Spotify Connect®、AirPlay® 2或藍牙串流傳輸。

### 7.4 通過Bowers & Wilkins Music應用程序播放音頻

連接產品，在Bowers & Wilkins Music應用程序中啓用音樂流媒體服務後，即可從流服務中瀏覽音樂。選擇想要播放的曲目，只需點擊“播放”按鈕。如只有一個空間，音樂將自動在該空間播放。如有多個空間，點擊「播放」，家裡的可用空間將顯示為列表，點擊選擇播放的空間，音頻就會在選定的空間播放。

### 7.5 通過Spotify Connect播放音頻

手機、平板電腦或電腦均可用作Spotify的遙控器。如需瞭解操作詳情，請登錄：  
<https://www.spotify.com/connect>

### 7.6 通過AirPlay播放音頻

AirPlay支持Apple手機、筆記本電腦或台式設備上的應用程序通過網絡將音頻傳輸到兼容AirPlay的揚聲器，如Panorama 3。AirPlay支持的應用程序將顯示AirPlay圖標。

使用AirPlay時，打開想要使用的應用程序，選擇想要播放的內容。點擊AirPlay圖標，顯示可用設備列表，然後選擇播放空間。

### 7.7 通過藍牙播放音頻

藍牙支持的移動設備、筆記本電腦或台式設備上的音頻應用程序從無線連接的Panorama 3播放音頻。

使用藍牙時，首先需要將設備與Panorama 3配對。在Bowers & Wilkins Music應用程序中選擇設置，然後選擇包含想要配對的設備的空間。選擇“配對新設備”將使Panorama 3進入藍牙配對模式。進入設備的藍牙菜單，即可與Panorama 3配對。Panorama 3將使用藍牙配對菜單中的空間名稱。配對完成後，可使用源設備上的任何應用程序播放音頻。在Bowers & Wilkins Music應用程序中，可查看Panorama 3的配對設備列表。

注：Panorama 3的配對模式持續2分鐘，如在此期間未完成設備配對，則會超時。如需重新進入配對模式，請重復以上步驟。

## 8. Bowers & Wilkins Music應用程序

Bowers & Wilkins Music應用程序將在主頁打開。在頁面的底部有四個導航圖標，分別顯示應用程序的主要部分：瀏覽、音樂庫、搜索和設置，黃色的圖標表示當前所處的頁面。

### 8.1 瀏覽

Bowers & Wilkins Music應用程序的瀏覽頁面以帶狀視圖排列多行內容，可以左右滑動進行搜索。瀏覽頁面顯示的推薦播放列表根據用戶的音樂喜好、最近播放的音樂，以及Bowers & Wilkins推薦的播放列表生成。用戶還可以向下滾動，瀏覽鏈接到應用程序的特定流媒體服務的音樂。

注：推薦音樂根據用戶喜歡的種類、表演者、專輯和曲目推薦。如喜歡某個音樂，只需點擊心形符號。標注喜歡的音樂越多，推薦就會越準確。推薦與用戶對應，保存在用戶的Bowers & Wilkins帳戶中，但不鏈接到音樂流媒體服務。

### 8.2 音樂庫

“音樂庫”頁面分組列出用戶在Bowers & Wilkins Music應用程序或流媒體服務中喜歡的所有音樂。用戶可以通過音樂、播客和廣播搜索內容。如喜歡流媒體服務原生應用程序中的內容，它可能不會直接出現在Bowers & Wilkins Music應用程序的音樂庫中。

### 8.3 搜索

用戶可以使用Bowers & Wilkins Music應用程序的搜索功能搜索音樂。該應用程序將從所有鏈接的流媒體服務搜索結果。

## 8.4 設置

“設置”頁面允許在家中設定多個產品。設置頁面分為多個的部分：

- **你的空間**  
它列出了家中的所有空間，從這裡可以設定個人設備。
- **你的賬戶**  
登錄賬戶後可以修改賬戶信息，也可以將任何音樂服務鏈接到你的應用程序。
- **你的產品**  
在這裡，用戶可以更新家中的任何產品。

## 8.5 鏈接流媒體服務

Bowers & Wilkins Music應用程序可以幫助用戶從許多流媒體服務選擇和播放音樂，如 Qobuz、Tidal、Deezer 和其他。為此，Bowers & Wilkins Music應用程序需要鏈接到用戶的音樂流媒體服務。這可以在設置中完成，通過“你的賬戶”中的“鏈接服務”按鈕。點擊並按照屏幕上的說明操作即可。

## 8.6 播放器視圖

當 Panorama 3 播放音頻時，用戶可以控制音量，播放/暫停音頻，向前和向後跳過。點擊屏幕左上角的向下箭頭，可最小化播放器視圖。最小化後的播放器視圖位於主屏幕底部。可隨時點擊已縮小的播放器視圖，即可最大化視圖。

## 9. 軟件更新

Panorama 3 是一款聯網揚聲器，因此，可以通過軟件更新提升可靠性，啓用新功能和特性。當網絡中的任何產品存在軟件更新時，設置圖標上會標出記號。進入設置頁面，可查看已發佈的更新。點擊此按鈕，更新網絡中需要更新的全部產品。

## 10. 音頻調整

揚聲器位置可能對性能產生影響，揚聲器靠近牆壁會過度強調低音，如揚聲器不是正對用戶，高頻內容可能會壓低。因此，可以調整 Panorama 3 的低音和高音設置，在房間內更靈活地選擇位置。調整時，請選擇“設置”，然後選擇需要調整的產品所在空間的名稱，然後選擇設備。調整低音和高音，每次調整單位 -6dB 至 +6dB。切斷電源時，Panorama 3 將存儲這些設置，但恢復為出廠設置後會被重置。

## 11. Amazon Alexa

Panorama 3 是一款智能揚聲器，內置 Amazon Alexa 語音助手。啓用語音助手時，在 Bowers & Wilkins Music 應用程序上，進入「設置」頁面。選擇「設置」，然後選擇包含希望啓用語音助手的 Panorama 3 的空間。接下來，選擇設備。顯示進入設備設置界面。可以通過鏈接到 Amazon 賬戶啓用 Amazon Alexa。只需點擊鏈接，並按照說明操作。用戶可隨時取消 Alexa 賬戶與 Panorama 3 的鏈接。

要與 Alexa 交談，只需說出觸發詞“Alexa”或按下 Panorama 3 上的語音助手按鈕。長按語音助手按鈕將使 Alexa 麥克風靜音。

## 12. Panorama 3 控制

您的 Panorama 3 在上後方面板有提供播放/暫停控制、音量調節和語音助手的按鈕 - 參見圖 1。

按下播放/暫停，停止和恢復音頻播放。

按音量增加 (+) 或減少 (-)，調整正在播放的音頻的音量。按住 + 和 - 按鈕將不斷增加或減少音量。

觸摸多功能按鈕將循環播放 Panorama 3 可用的有效媒體和來源。Panorama 3 多功能按鈕燈光變化，表示各種操作狀態。燈光狀態如圖 2 所示。

按下語音助手按鈕，您無需說出觸發詞即可與語音助手交談。這個功能需要在 Panorama 3 上啓用語音服務。

## 13. 清潔

如 Panorama 3 需要清潔，可使用乾淨的無絨布擦拭頂部表面，並用軟刷輕輕刷格柵。如使用清洗液，請將其塗抹在清潔布上，而不是直接塗抹在 Panorama 3 上。首先測試一小塊區域，因為一些清潔產品可能會損壞某些表面。避免使用研磨性的產品，或含有酸、鹼或抗菌劑的產品。

## 14. 客戶支援

如需關於產品的進一步幫助或建議，請訪問支援網站 [www.bowerswilkins.com/support](http://www.bowerswilkins.com/support)。

## 15. 環保信息

本產品自動管理其電源狀態，不需要其他操作。已連接到網絡但不使用時，功率消耗自動降低至 2W 以下。

本產品符合國際指令，包括但不限於《關於在電子電氣設備中限制使用某些有害物質的指令》(RoHS)、《化學品的註冊、評估、授權和限制制度》(REACH) 和《電氣電子廢棄設備物指令》(WEEE)。有關如何正確回收或處置本產品的指導，請諮詢當地廢物處理部門。

燈光	狀態
快閃白光	 正在啓動
慢閃琥珀光	 可作設置
快閃琥珀光	 正在進行固件更新
慢閃白光	 音頻準備中
慢閃紅光	 錯誤-聯繫支援人員
長亮紅光	 錯誤-聯繫支援人員
快閃紅光	 正在恢復至原廠設置
快閃藍光	 藍牙配對模式
長亮藍光	 藍牙連接完成

圖二  
多功能指示燈

## 規格

技術特性	與 Bowers & Wilkins Music 應用程序兼容 蘋果 Airplay 2 Spotify Connect 藍牙 啟用 Alexa Dolby 杜比 TrueHD 離散 Dolby Atmos 杜比全景聲 3.1.2 HDMI eARC
音頻格式支持	Dolby Atmos 杜比全景聲 Dolby Digital True HD 杜比數字真高清 Dolby Digital Plus 杜比數字+ LPCM
藍牙	5.0, 2 級
藍牙編解碼器	aptX™ Adaptive 自適應 AAC SBC
AirPlay 2 兼容性	裝有 iOS 11.4 或更高版本的 iPhone、iPad 和 iPod touch，裝有 tvOS 11.4 或更高版本的 Apple TV 4K 或 Apple TV (第 4 代)，裝有 iTunes 12.8 或更高版本的 Mac 或 PC
功率輸出	400W
驅動單元	3x 19mm (0.75") 鈦球頂高音單元 6x 50mm (2") 編織玻璃纖維音盆低音/中音單元 2x 50mm (2") 編織玻璃纖維音盆全景聲驅動單元 2x 100mm (4") 薄型低音單元
頻率響應	43Hz–48kHz
尺寸	65mm (高) x 1210mm (寬) x 140mm (深)
重量	6.5kg
連接	1x HDMI ARC/eARC 1x 數字音頻輸入 (Toslink) 1x RJ45 以太網 1 個 USB-C (僅限維修)
輸入電壓	100V-240V, 50/60Hz
功率消耗	低於 2 瓦

HDMI 和 HDMI 高清多媒體接口以及 HDMI 徽標是 HDMI Licensing Administrator, Inc. 在美國和其他國家/地區的商標或註冊商標。Dolby、Dolby Atmos 和 Dolby Digital Plus 是 Dolby Laboratories 的註冊商標。Apple、AirPlay、Apple Music、iOS、iPhone、iPad、iPod touch、iTunes、Apple TV、Mac、macOS、OS X 和 tvOS 是 Apple Inc. 在美國和其他國家/地區的註冊商標。“iPhone”商標在日本使用，獲得 Aiphone KK 的許可。Spotify 和 Spotify Connect 是 Spotify AB 的商標。Spotify Connect 的可用性可能取決於您所在的地區，請查看 [www.spotify.com](http://www.spotify.com) 了解更多詳細信息。Amazon、Alexa 和所有相關徽標是 Amazon.com, Inc. 或其附屬公司的商標。Android 是 Google LLC 的商標。aptX 是 Qualcomm Technologies, Inc. 和/或其子公司的產品。aptX 是 Qualcomm Technologies International, Ltd. 在美國和其他國家/地區註冊的商標。Bluetooth 文字商標和徽標是 Bluetooth SIG, Inc. 擁有的註冊商標，Bowers & Wilkins 對此類商標的任何使用均已獲得許可。其他商標和商品名稱是其各自所有者的名稱。

## Bowers & Wilkins、Panorama 3へようこそ

John BowersはBowers & Wilkinsの設立時に、創意に富んだデザインと革新的な工業技術、そして先進技術が、家庭におけるオーディオの楽しみを解き放つ鍵であるという信念を抱いていました。この信念は今も尚、私たちが設計するすべての製品の中に受け継がれています。

Panorama 3は、非常に高性能なネットワーク接続型ワイヤレスアクティブスピーカーです。主にBowers & Wilkins Musicアプリを使用して操作を行います。このアプリは、iOS機器とAndroid™機器のどちらでも使用できます。また、Panorama 3のパネルには、よく使う機能を操作できる発光式のボタンがあります。Panorama 3のインストールおよび設定は、Bowers & Wilkins Musicアプリからのみ行えます。

Panorama 3の主な機能:

- ・ HDMI® ARC/eARC接続でテレビの音声を聴くことができます。
- ・ 光デジタルオーディオ接続でテレビの音声を聴くことができます。
- ・ Tidal、Qobuz、Deezer、Spotify®、Apple Musicなど様々な音楽ストリーミングサービスの再生に対応しています。
- ・ Bluetooth機器との接続および再生に対応しています。
- ・ 別売りのBowers & Wilkins製ワイヤレススピーカーをPanorama 3と同じホームネットワークに接続して、家庭内のどこにいても音楽をお楽しみいただけます。\*Panorama 3をホームネットワークに接続し、家庭内のFormation製品との接続を行うには、Bowers & Wilkins Musicアプリが必要です。

Bowers & Wilkins Musicアプリではホームネットワークに接続した機器の操作及び設定も行えます。Panorama 3のセットアップを始める前に、iOS機器またはAndroid機器にBowers & Wilkins Musicアプリをダウンロードしてください。Bowers & Wilkins Musicアプリをお使いいただくには、iOS 11.4以降またはAndroid V8.1以降に対応している必要があります。iOS機器またはAndroid機器のBluetoothおよびWi-Fi機能を有効にしてください。Wi-Fiネットワークのパスワードもご用意ください。

ご注意: Android機器では、セットアップの際に位置情報サービスを有効にする必要があります。これは互換性のあるBowers & Wilkins製品がサービス通信にBluetoothの低消費電力通信規格 (BT-LE) を使用しており、Android機器では位置情報サービスが有効な場合にのみBT-LEが使用可能になるためです。Bowers & Wilkinsが、位置情報サービスのデータをマーケティング目的に使用することはありません。

\*2022年内の対応を予定している機能です。

## 1. 内容物

Panorama 3本体  
電源コード  
HDMIケーブル  
壁掛け用ブラケット  
ドキュメントバック

## 2. Panorama 3の設置場所

Panorama 3は、テレビと組み合わせて使用するよう設計されているため、テレビの近くに設置される必要があります。テレビに接続する際、Panorama 3はHDMIケーブルと電源コードの接続を必要とするため、電源コードがコンセントに、HDMIケーブルがテレビに届く場所に設置する必要があります。ホームネットワークには有線接続する場合は、ネットワーク(イーサネット)ケーブルが届く範囲に設置する必要があります。

Panorama 3は、棚やテーブル、家具の上に置くことができます。また、付属の専用壁掛け用ブラケットで壁面に取り付けることもできます。Panorama 3を棚に設置する場合は、棚に十分な強度があることを確認してください。設置した家具や棚板が薄かったり共振しやすかったりするとオーディオ性能が低下することがあります。

ご注意: Panorama 3に壁掛け用ブラケットを取り付ける際は、壁掛け用ブラケットに同梱されている説明書の指示に従って取り付けてください。取り付ける壁が適しているか不明な場合、または壁掛け用ブラケットの取り付け作業に不安がある場合は、業者に作業を依頼してください。

Panorama 3から出る音は前方だけでなく、上方、側方、後方にも広がります。そのため、Panorama 3を部屋の壁付近に設置した場合、特に部屋の隅に設置した場合は、低音が非常に強調されることがあります。Panorama 3の低音が過剰だと感じる場合には、設置場所を変える、またはBowers & Wilkins Musicアプリの設定メニューで低音の音量を下げることで低音を調節することができます。

### 2.1 接続

Panorama 3は、電源インレットの他にHDMI ARC/eARC入力、光デジタル入力、サービス用のUSB-C端子を備えています。ネットワーク(イーサネット)端子を使用してPanorama 3を有線接続することもできます。

ご注意: Wi-Fiまたは有線LAN接続には、電気通信端末機器として認定された市販のルーターを使用してください。

テレビとは、HDMIケーブルで接続されることをお勧めしています。Panorama 3をテレビのARC対応HDMI端子に接続してください。お使いのテレビにARCまたはeARC対応のHDMI端子がない場合は、Panorama 3を光デジタルケーブルでテレビに接続することができます。

ご注意: Panorama 3をテレビに接続して使用する場合、機能性と性能を十分に発揮させるために、ARC(テレビが対応する場合はeARC)およびCECを有効にすることをお勧めします。これらの機能を有効にする方法は、テレビのブランドごとに異なるため、詳しくはテレビのマニュアルを参照してください。また、テレビに接続された他のデバイスのDolby® Atmos®コンテンツから最高のオーディオパフォーマンスを楽しむために、テレビをパススルーまたはバイパスモードに設定してください。

## 2.2 セットアップの準備

必要なケーブルを接続して、Bowers & Wilkins Musicアプリをモバイル機器にインストールし、選択した接続方法で動作するようにテレビを設定すれば、Panorama 3のセットアップの準備は完了です。

Panorama 3には電源スイッチがありません。付属の電源コードでコンセントに接続すると短い起動ルーチンが実行され、その後使用可能になります。起動ルーチンではスピーカーの起動、ネットワークへの接続、およびストリーミングサービスへの接続を行うため完了までに時間が掛かる場合があります。起動中はマルチファンクションボタンが白色で高速点滅し、ネットワーク接続への接続中はオレンジ色でゆっくりと点滅します。起動ルーチンが完了すると起動音が再生されます。

Panorama 3を初めて使用する場合、付属の電源コードでコンセントに接続すると自動的にホームネットワークに接続するためのセットアップモードになります。セットアップモード時は、マルチファンクションボタンがオレンジ色でゆっくり点滅します(図1参照)。Bowers & Wilkins MusicアプリにもPanorama 3がセットアップ可能であることが表示されます。ポップアップ表示されるか、またはアプリの設定ページで「製品を追加」を選択すると表示されます。

Panorama 3では、動作状態および電力消費が完全に自動管理され、動作がない状態が20分以上続くと節電モードに切り替わります。Panorama 3では電源をオフに切り替える必要はありませんが、電源を切りたい場合は電源コードをコンセントから抜いてください。電源を切った状態でもPanorama 3の設定は保存されています。

### 3. 再起動

Panorama 3を再起動するには、背面パネルのリセットボタンを短く1回押してください。(図1参照)。ボタンを押すとPanorama 3が再起動します。Panorama 3を再起動しても、すべての設定はそのまま保存されています。Panorama 3の再起動は、Bowers & Wilkins Musicアプリの設定ページから行えます。

## 4. 工場出荷状態へのリセット

Panorama 3を工場出荷時の状態にリセットするには、リセットボタンを5秒間長押ししてください。リセットボタンの位置は図1を参照してください。リセットプロセスが始まるとマルチファンクションボタンが赤色で点灯し、通知音が再生されます。リセットプロセスが終わるとPanorama 3は再起動します。再起動するとPanorama 3はセットアップモードになります。Panorama 3をリセットすると、すべての設定が消去されます。Panorama 3のリセットは、Bowers & Wilkins Musicアプリの設定メニューから行えます。

## 5. ネットワークのセットアップ

Panorama 3がセットアップモードになり、マルチファンクションボタンがオレンジ色でゆっくりと点滅したら、iOS機器またはAndroid機器のBowers & Wilkins Musicアプリを起動し、アプリに表示される手順に従ってセットアップを行ってください。

ご注意: セットアッププロセス中、Panorama 3はBowers & Wilkins Musicアプリを実行している機器とBluetoothで接続します。Bluetoothは信号の到達範囲が比較的短く、部屋の壁などで遮断されることがあります。そのためセットアッププロセス中はPanorama 3とBowers & Wilkins Musicアプリを実行している機器を近付けたままにしてください。

Bowers & Wilkins Musicアプリをお使いいただくにはユーザーアカウントの作成が必要です。アプリの初回ダウンロード時に、すでにアカウントをお持ちの場合はサインインを、お持ちでない場合はアカウントの作成を求められます。いずれの場合もユーザー名とパスワードを入力する必要があります。セットアップの前にアカウントへの通知の設定を変更することもできます。アカウントを作成したら送られてきたメールに記載されたリンクをクリックして、メールアドレスの検証を行ってください。

Bowers & Wilkins Musicアプリでは、まずセットアップモード中の製品を検索し、その後セットアップを開始するよう自動的に案内を行います。あるいは、設定メニューで「あなたの製品」セクションの「製品を追加」をタップして、新しい製品のセットアップを行うこともできます。

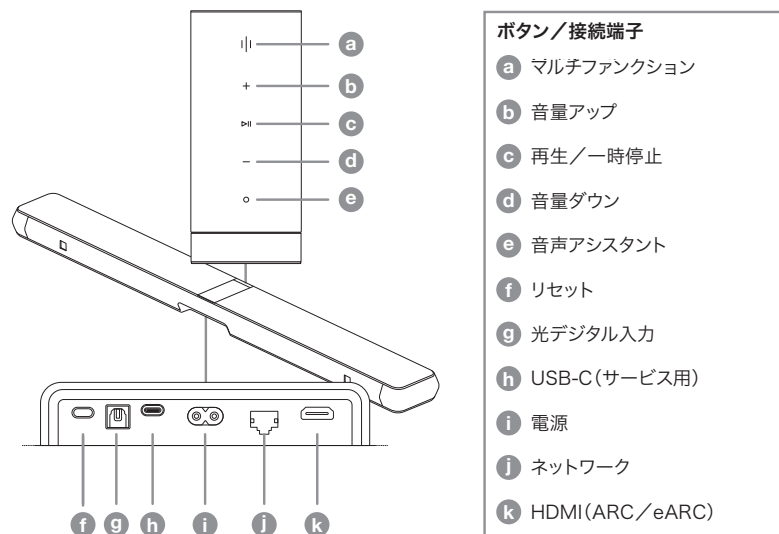


図1  
Panorama 3 操作パネル/接続端子

Bowers & Wilkins Musicアプリのセットアッププロセスでは、Panorama 3を使用する「スペース」に名前をつけるよう求められます。スペース名の候補リストが用意されていますが、独自の名前を設定することもできます。スペース名を選択または設定すると、Panorama 3天面のマルチファンクションボタンを押して選択を確定するようアプリから求められます。

次のセットアッププロセスではPanorama 3をWi-Fiホームネットワークに接続します。アプリ内で、接続するWi-Fiネットワークの選択とパスワードの入力を求められます。Panorama 3がイーサネットケーブルでルーターに接続されている場合は、このプロセスは省略されます。

備考:他に互換性のあるBowers & Wilkins製品がWi-Fiネットワークに接続されている場合、Quick Connect機能によってWi-Fiパスワードが安全に共有されるため、Panorama 3でのWi-Fiパスワード入力は求められません。

WiFiネットワークの設定とスペースの選択が完了したら、テレビとの接続に使用する入力端子の設定を行います。アプリの画面で設定の手順を確認することができます。HDMI ARC/eARCでテレビに接続する場合は、Bowers & Wilkins Musicアプリは、Panorama 3とテレビとの接続方法とCECを有効にする方法を表示します。これにより、テレビまたはセットトップボックスのリモコンでのPanorama 3の音量の操作が可能になります。テレビを光デジタルケーブルで接続する場合、Bowers & Wilkins Musicアプリは、Panorama 3をテレビに接続し、テレビの内蔵スピーカを無効にする方法を表示します。その後、Panorama 3にテレビのリモコンのIRコマンドを学習させ、テレビのリモコンでPanorama 3の音量を操作できるように設定の手順を表示します。

ご注意:セットアップ中にPanorama 3がIRコマンドを受信しない場合は、テレビの設定で外部デバイスのIRサポートを有効にする必要がある場合があります。詳しくは、テレビの取扱説明書をご覧ください。

## 6. Bluetooth専用モードのセットアップ

Panorama 3はホームネットワークに接続せずにBluetooth接続のみで使用することもできます。Panorama 3をセットアップモードにし、マルチファンクションボタンがゆっくりとオレンジ色に点滅したら、マルチファンクションボタンを5秒間長押しします。Panorama 3から通知音が再生され、マルチファンクションボタンが青色で点滅します。これはPanorama 3がBluetoothペアリングモードになり、Bluetooth再生機器の操作で接続できることを示しています。Bluetooth再生機器の画面に表示される機器の一覧から「Panorama 3」を選んでください。

ご注意:この状態では、Panorama 3をネットワークに接続することはできません。Bluetooth専用モードのPanorama 3をネットワークに接続するには、Panorama 3の背面にあるリセットボタンで、Panorama 3を工場出荷状態にリセットする必要があります(セクション 4を参照)。

Panorama 3は複数のBluetooth再生機器とペアリングできます。マルチファンクションボタンを5秒間長押しするとペアリングモードになります。Panorama 3は最大8台の機器とのペアリングに対応しています。

備考:Panorama 3をBluetoothペアリングモードにしてから2分以内にペアリングが完了しない場合、ペアリングモードは解除されます。再度ペアリングモードにするには、上記の操作を繰り返してください。

## 7. Panorama 3の使い方

### 7.1 「スペース」について

「スペース」は、Bowers & Wilkins Music アプリおよび対応製品の中核となるコンセプトです。「スペース」とは、家庭内で音楽を聴く部屋、または特定の空間のことです。Panorama 3は、同じスペース内にある他の機器と組み合わせて使用することはできません。

### 7.2 Dolby サポート

Panorama 3は、以下の形式のDolbyオーディオをサポートしています。

- Dolby Digital
- Dolby Digital Plus™
- Dolby Atmos
- Dolby TrueHD

これらのすべてのオーディオフォーマットに対して、Panorama 3は自動的に再生を最適化し、最良のオーディオパフォーマンスを実現します。

### 7.3 音楽ストリーミング

Panorama 3では、Spotify、Apple Music、Qobuz、Tidalなどのストリーミングサービスのオーディオを再生することができます。これらは、Bowers & Wilkins Musicアプリ、Spotify Connect®、AirPlay® 2またはBluetoothを使ってストリーミングすることができます。

### 7.4 Bowers & Wilkins Musicアプリで音楽を再生する

Panorama 3をアプリに登録してアプリで音楽ストリーミングサービスを有効にすると、ストリーミングサービスの音楽をアプリでブラウズできるようになります。再生したい曲を選択して、「再生」ボタンをタップすると、スペースを1つしか設定していない場合は、自動的にそのスペースで音楽を再生します。複数のスペースを設定している場合、「再生」ボタンをタップすると家庭内の利用可能なスペースのリストが表示されます。音楽を再生したいスペースをタップすると、選択したスペースで音楽が再生されます。

### 7.5 Spotify Connectで音楽を再生する

スマートフォンやタブレット、PCをSpotifyのリモコンとして使用できます。使用方法は<https://www.spotify.com/connect>を参照してください。

### 7.6 AirPlayで音楽を再生する

AirPlayではApple製のモバイル機器やノートPC、またはデスクトップPC上の音楽再生アプリから、ネットワーク経由でPanorama 3などのAirPlay対応スピーカーに音楽をストリーミング再生できます。AirPlayに対応した音楽再生アプリでは、AirPlayのアイコンが表示されます。

AirPlayを使用するには、使用するアプリを開き、再生するコンテンツを選択します。AirPlayのアイコンをタップすると、使用可能な機器のリストが表示されるので、使用するスペース名を選択してください。

## 7.7 Bluetoothで音楽を再生する

BluetoothではPanorama 3に無線接続したモバイル機器やノートPC、またはデスクトップPC上の音楽再生アプリから音楽をストリーミング再生できます。

Bluetoothを使用するにはBluetooth再生機器をPanorama 3にペアリングする必要があります。Bowers & Wilkins Musicアプリで、「設定」を選択してからペアリングする機器を含むスペースを選択します。「新しいデバイスをペアリングする」を選択するとPanorama 3はBluetoothペアリングモードになります。Bluetooth再生機器のBluetooth設定画面でPanorama 3を選ぶと、Panorama 3とペアリングできます。Panorama 3はスペース名をBluetoothペアリングメニューで使用します。ペアリングが完了すると、Bluetooth再生機器上のどのアプリからでも再生が可能になります。Panorama 3にペアリング済みの機器のリストは、Bowers & Wilkins Musicアプリで確認できます。

備考:Panorama 3をBluetoothペアリングモードにしてから2分以内にペアリングが完了しない場合、ペアリングモードは解除されます。再度ペアリングモードにするには、上記の操作を繰り返してください。

## 8. Bowers & Wilkins Musicアプリについて

Bowers & Wilkins Musicアプリを起動するとメインページが開きます。ページ下部にはアプリの主要セクションに移動するためのアイコンが4つあります。ブラウズ、ライブラリ、検索、設定のアイコンです。これらのセクションに移動すると、そのセクションのアイコンが黄色に点灯しますので、現在表示されている画面がどのセクションかひと目でわかります。

### 8.1 ブラウズ

Bowers & Wilkins Musicアプリの「ブラウズ」ページでは、コンテンツが複数の行に並んで表示され、これらを左右にスワイプすることで閲覧できます。「ブラウズ」ページには、ご自身の音楽の好みや最近再生した音楽に基づいて生成されたプレイリストや、Bowers & Wilkinsが選んだおすすめプレイリストなどが表示されます。スクロールしてアプリにリンク済みのストリーミングサービスから音楽をブラウズすることもできます。

備考:お気に入り登録したジャンル、アーティスト、アルバム、曲に基づいておすすめが表示されます。ハートのアイコンをタップするだけでお気に入り登録できます。お気に入りの登録数が増えるほど、おすすめの精度は向上します。おすすめの内容は、ご使用のBowers & Wilkinsアカウント上のものであり、音楽ストリーミングサービスに関連づけられることはありません。

### 8.2 ライブラリ

「ライブラリ」ページには、Bowers & Wilkins Musicアプリおよび音楽ストリーミングサービスでお気に入りに登録したすべてのコンテンツが表示されます。ここで音楽、ポッドキャスト、ラジオのコンテンツを検索できます。お気に入りの登録をしたのがストリーミングサービスのネイティブアプリ内のコンテンツである場合は、Bowers & Wilkins Musicアプリのライブラリにはすぐに表示されないことがあります。

### 8.3 検索

Bowers & Wilkins Musicアプリの検索機能では、あらゆる音楽を検索できます。このアプリの検索では、リンク済みのすべてのストリーミングサービスから検索を行います。

## 8.4 設定

「設定」ページでは、家庭内の複数の製品を設定できます。「設定」ページには以下のセクションがあります。

- ・ **スペース**  
家庭内のすべてのスペースが一覧表示されます。それぞれの機器をここで設定できます。
- ・ **アカウント**  
アカウントの詳細を変更できます。アプリに音楽サービスをリンクすることもできます。
- ・ **製品**  
ここでは、家庭内の製品に使用可能なアップデート実行することができます。

## 8.5 ストリーミングサービスのリンク

Bowers & Wilkins Musicアプリでは、Qobuz、Tidal、Deezerなどの多数の音楽ストリーミングサービスから音楽を再生することができます。そのためにはBowers & Wilkins Musicアプリと音楽ストリーミングサービスをリンクしておく必要があります。これは、「アカウント」の「サービスをリンクする」ボタンを使用して設定できます。タップして、画面上の指示に従ってください。

## 8.6 プレーヤー表示

Panorama 3での音楽再生中に音量の操作、再生/一時停止、スキップ(進む、戻る)の操作ができます。プレーヤー表示は、画面左上の下向きの矢印を押すとメイン画面の下部に最小化できます。最小化されたプレーヤー表示をタップすると、いつでも表示を最大化できます。

## 9. ソフトウェア・アップデート

Panorama 3はネットワーク機能を搭載したスピーカーであり、ソフトウェア・アップデートによって製品の信頼性向上や新機能の追加などを行うことがあります。ネットワーク上の製品に対してソフトウェア・アップデートが使用可能になると、「設定」アイコンにタグが付きます。「設定」に移動すると、利用可能なアップデートが表示されます。タップすると、同一ネットワーク内でアップデートが必要なすべての製品に対して、アップデートを開始します。

## 10. オーディオ調整

スピーカーを設置する場所によって音は変化します。スピーカーを壁に近い場所に設置すると低音が強調され、スピーカーが聴く人に向けて置かれていないと高音が弱く聴こえます。Panorama 3では低音および高音を調節できますので、室内でより柔軟な設置が可能です。この調節をおこなうには、「設定」を選択して、調節する製品を含むスペース名を選択してから、機器を選択します。低音と高音を-6dBから+6dBの範囲で調節できます。設定は電源切断時もPanorama 3に保存されますが、工場出荷状態へのリセットを行うと消去されます。

## 11. Amazon Alexa

Panorama 3はAmazon Alexaの音声アシスタントを搭載したスマートスピーカーです。この機能を有効にするには、Bowers & Wilkins Musicアプリの機器の設定ページに移動します。「設定」を選択してから音声アシスタントを有効にするPanorama 3が含まれているスペースを選択します。次に機器を選択すると機器の設定ページが表示されます。Amazonアカウントをリンクすることで、Amazon Alexaを有効にできます。リンクをクリックして指示に従ってください。Alexaアカウントとの接続はいつでも解除することができます。

Alexaに話しかけるには、トリガーワードである「アレクサ」と言うか、Panorama 3の「音声アシスタント」ボタンを押してください。音声アシスタントボタンを長押しすると、Alexaのマイクがミュートされます。

## 12. Panorama 3の操作

Panorama 3の上部パネルには、再生/一時停止、音量調整、音声アシスタントのボタンがあります(図1参照)。

「再生/一時停止」を押すたびに音楽を再生または一時停止します。

「音量アップ(+)」または「音量ダウン(-)」を押すと、再生中のオーディオ音量を調節できます。ボタンを長押しすると、音量を連続的に調節できます。

マルチファンクションボタンを押すと、アクティブなストリームおよびPanorama 3で使用可能なソースを順次切り替えて再生します。Panorama 3のマルチファンクションボタンは、動作状態に応じてその光り方が変化します。光り方については、図2をご確認ください。

音声アシスタントボタンを押すと、トリガーワードを言わずに音声アシスタントを呼び出すことができます。この機能を使用するには、Panorama 3の音声サービスを有効にする必要があります。

## 13. クリーニングについてのご注意

Panorama 3のクリーニングが必要な場合は、表面を汚れない柔らかい布でふき、グリル部には柔らかいブラシをかけてください。クリーニング液を使用する場合は、Panorama 3に直接つけるのではなく、布につけてから使用してください。クリーニング液によっては外装を傷めるものもあるため、まず小さい面積で試してから使用してください。研磨剤、酸性またはアルカリ性の洗剤、抗菌剤は使用しないでください。

## 14. サポート

製品に関するご質問やご相談は、次のサポートページをご覧ください。[www.bowerswilkins.com/support](http://www.bowerswilkins.com/support)

## 15. 環境情報

本製品は特別な操作をしなくても電源状態を自動管理します。ネットワークに接続されていて使用されていない場合、消費電力が自動で2W以下に抑えられます。

本製品は、RoHS(電子・電気機器における特定有害物質使用制限)指令、REACH(化学物質の登録・評価・認可・制限に関する)規則、およびWEEE(電気電子機器廃棄物)指令などの国際指令および規則に準拠しています。本製品のリサイクルまたは廃棄に際しては、お住まいの地域の廃棄物処理規則に従ってください。

光り方		動作状態
白色で点滅		起動中
オレンジ色でゆっくり点滅		セットアップの準備完了
オレンジ色で点滅		ファームウェアのアップデート中
白色でゆっくり点滅		オーディオのブル配信が進行中
赤色でゆっくり点滅		エラー。サポートに連絡してください
赤色点灯		エラー。サポートに連絡してください
赤色で点滅		工場出荷状態にリセット中
青色で点滅		Bluetoothペアリングモード
青色点灯		Bluetooth接続完了

図2  
マルチファンクションボタンの光り方と動作状態



## 仕様

技術的特徴	Bowers & Wilkins Musicアプリ対応 AirPlay 2 対応 Spotify Connect対応 Bluetooth Alexa搭載 Dolby TrueHD Dolby Atmos(3.1.2) HDMI eARC
対応オーディオフォーマット	Dolby Atmos Dolby TrueHD Dolby Digital Plus リニアPCM
Bluetooth	5.0, class 2
Bluetooth コーデック	aptX™ Adaptive AAC SBC
AirPlay 2 対応機種	iOS 11.4以降を搭載したiPhone、iPad、iPod touch、tvOS 11.4以降を搭載したApple TV 4KまたはApple TV (第4世代)、iTunes 12.8以降を搭載したMacまたはPC
アンプ出力	400W
ドライブユニット	19mm チタンドーム・トゥイーター×3 50mm グラスファイバーコーン・バス/ミッドレンジ×6 50 mm グラスファイバーコーンDolby Atmosイネーブルドスピーカー×2 100 mm薄型ウーファー×2
周波数特性	43Hz-48kHz
外形寸法	65mm (高さ) x 1210mm (幅) x 140mm (奥行)
重量	6.5kg
接続端子	HDMI ARC/eARC 光デジタル入力 ネットワーク(RJ45) USB-C(サービス用)
電源	100V - 240V、50/60Hz
待機時消費電力	2W以下

HDMI、HDMI High-Definition Multimedia Interface、およびHDMIロゴは、HDMI Licensing Inc.の商標または登録商標です。Administrator, Inc.の米国およびその他の国における商標または登録商標です。Dolby、Dolby Atmos、Dolby Digital Plus は、Dolby Laboratoriesの登録商標です。Apple、AirPlay、Apple Music、iOS、iPhone、iPad、iPod touch、iTunes、Apple TV、Mac、macOS、OS X、tvOSは、米国および他の国々で登録されたApple Inc.の登録商標です。「iPhone」商標は、日本国内ではアイホン株式会社のライセンスに基づき使用されています。SpotifyおよびSpotify Connectは、Spotify ABの商標です。Spotify Connectの提供状況は地域によって異なる場合があります。詳しくはwww.spotify.comをご確認ください。Amazon、Alexa、および関連するすべてのロゴは、Amazon.com, Inc.またはその関連会社の商標です。Androidは、Google LLCの商標です。aptXは、Qualcomm Technologies, Inc.および/またはその子会社の製品です。aptXは、米国およびその他の国で登録されているQualcomm Technologies International, Ltd.の商標です。Bluetoothのワードマークおよびロゴは、Bluetooth SIG, Inc.が所有する登録商標であり、Bowers & Wilkinsによるこれらのマークの使用はライセンスに基づくものです。その他の商標および商号は、それぞれの所有者のものであります。

## Bowers & Wilkins 및 Panorama 3 시작

John Bowers는 가정에서 오디오를 제대로 즐기기 위한 핵심 요소는 창의적인 디자인, 혁신적인 엔지니어링 및 고급 기술이라는 신념을 갖고 Bowers & Wilkins를 창립했습니다. 이 신념은 우리가 디자인하는 모든 제품에 계속 영감을 불어넣고 있습니다.

Panorama 3은 네트워크에 연결되는 무선 액티브 스피커로서 고성능 사운드를 제공합니다. Panorama 3은 주로 Bowers & Wilkins Music 앱을 사용하여 구성하고 제어하도록 설계됩니다. 이 앱은 iOS 및 Android™ 장치에 모두 사용할 수 있습니다. 일반적으로 사용되는 일부 제어 기능은 Panorama 3의 상단 패널에 있는 hidden-until-lit 버튼을 통해 사용할 수도 있습니다. Panorama 3을 설치하고 구성하려면 반드시 Bowers & Wilkins Music 앱을 사용해야 합니다.

Panorama 3를 통해 다음을 수행할 수 있습니다.

- HDMI® ARC/eARC 연결하여 TV에서 오디오 청취.
- 디지털 오디오 광학 연결을 통해 TV에서 오디오 청취.
- Tidal, Qobuz, Deezer, Spotify®, Apple Music 등의 스트리밍 서비스에서 오디오를 청취합니다.
- 적절하게 설정된 Bluetooth 소스 장치에서 Bluetooth를 통해 오디오를 청취합니다.
- 집안 어디서나 홈 네트워크에 연결된 호환되는 Bowers & Wilkins 무선 스피커로 오디오를 청취합니다.\*

Bowers & Wilkins Music 앱은 Panorama 3를 홈 네트워크에 연결하고 가정에 있는 다른 제품과 연결하는 데 필요합니다. 또한 Bowers & Wilkins Home 앱은 사용 중에 몇 가지 제어 및 구성 기능을 제공합니다. Panorama 3 설치를 시작하기 전에 Bowers & Wilkins Home 앱을 iOS 또는 Android 장치에 다운로드하여 설치하십시오. Bowers & Wilkins Home 앱을 사용하려면 iOS 11.4 이상 또는 Android V8.1 이상이 필요합니다. iOS 또는 Android 장치에서 Bluetooth 및 WiFi 서비스가 활성화되어 있어야 합니다. 또한 WiFi 네트워크 비밀번호를 알고 있어야 합니다.

*참고: 설치 과정 중에 Android 장치에서 위치 서비스가 활성화되어 있어야 합니다. 이는 호환되는 Bowers & Wilkins 제품이 서비스 통신을 위해 저전력 형태의 Bluetooth(BT-LE)를 사용하므로 위치 서비스가 허용되어야 Android 장치에서 사용할 수 있습니다. Bowers & Wilkins는 마케팅 목적으로 위치 서비스 데이터를 사용하지 않습니다.*

\* 2022년에 활성화될 기능

## 1. 내용물

Panorama 3  
전원 케이블  
HDMI 케이블  
월 브래킷  
문서

## 2. Panorama 3 설치 위치

Panorama 3는 TV와 같이 작동하도록 설계되었기 때문에 TV와 가까운 곳에 위치해야 합니다. Panorama 3를 TV에 연결했을 때 HDMI 연결과 주 전원이 공급되어야 작동하므로 주 전원 소켓과 HDMI 연결이 닿을 수 있는 곳에 있어야 합니다. Panorama 3가 홈 네트워크에 유선 연결을 사용하는 경우 적절한 네트워크(이더넷) 케이블이 닿을 수 있는 위치에 있어야 합니다.

Panorama 3는 선반, 테이블 또는 가구 위에 설치할 수 있으며, Panorama 3에 포함된 전용 월 브래킷을 사용하여 벽에 설치할 수도 있습니다. Panorama 3를 선반에 설치하기로 결정하는 경우 선반이 무게를 여유 있게 지탱할 수 있는지 확인해야 합니다. 장착 가구 또는 선반 패널이 얇거나 떨림이 있으면 오디오 성능이 저하될 수 있습니다.

**참고:** Panorama 3를 월 브래킷에 장착하려는 경우 브래킷과 함께 제공되는 지침에 따라 브래킷을 설치해야 합니다. 벽에 브래킷을 설치해도 되는지 확실하지 않거나 혼자 브래킷을 설치할 수 있는지 확실하지 않은 경우에는 전문가의 도움을 받는 것이 좋습니다.

대부분의 스피커와 마찬가지로, Panorama 3는 사운드 에너지를 전방뿐 아니라 상단, 측방 및 후방으로도 방출합니다. 따라서 Panorama 3를 방 경계와 가까운 곳에 설치하면, 특히 모서리에 설치할 경우 베이스가 과도하게 강조될 수 있습니다. Panorama 3의 베이스가 너무 강하면 다른 위치로 옮겨서 문제를 해결할 수도 있고, Bowers & Wilkins Music 앱 Settings 메뉴를 통해 베이스 레벨을 조정할 수도 있습니다.

## 2.1 연결

Panorama 3 스피커에는 주 전원 소켓 외에 HDMI ARC/eARC 연결, 광학 오디오 연결 및 서비스용 USB-C 연결 단자가 있습니다. 이더넷 포트를 사용하면 Panorama 3를 유선 연결할 수 있습니다.

TV에 대한 기본 권장 연결은 HDMI 연결이며 Panorama 3를 TV의 ARC 소켓에 연결하는 것이 좋습니다. TV에 ARC 또는 eARC 지원 HDMI 연결이 없는 경우 광 디지털 오디오 연결을 사용하여 Panorama 3를 TV에 연결할 수 있습니다.

**참고:** TV에서 Panorama 3로부터 최상의 기능과 성능을 얻으려면 ARC(TV에서 사용 가능한 경우 eARC) 및 CEC를 활성화하는 것이 좋습니다. TV 브랜드마다 이러한 기능을 활성화하는 방법이 다르므로 자세한 내용은 TV 설명서를 참조하십시오. 또한 TV에 연결된 다른 장치의 Dolby® Atmos® 지원 콘텐츠에서 최상의 오디오 성능을 즐기려면 TV를 패스투루 또는 바이패스 모드로 설정하는 것이 좋습니다.

## 2.2 초기 연결

모든 연결이 이루어지고 모바일 장치에 설치된 Bowers & Wilkins Music 앱과 선택한 연결 방법으로 작동하도록 TV를 구성하면 Panorama 3를 설정할 준비가 된 것입니다.

Panorama 3은 주 전원 스위치가 따로 없으며 주 전원에 연결하면 짧은 시동 루틴이 실행된 후 사용 준비가 완료됩니다. 시동 루틴에는 스피커 부팅, 네트워크에 연결, 스트리밍 서비스에 대한 링크 설정이 포함되므로 완료되는 데 다소 시간이 걸릴 수 있습니다. 부팅되는 동안에는 다기능 버튼은 흰색으로 점멸하고 네트워크 연결이 설정되면 황색으로 점멸합니다. 시동 루틴이 완료되면 음성 프롬프트가 재생됩니다.

이전에 한 번도 사용하지 않은 Panorama 3를 처음으로 켜면 홈 네트워크에 연결할 수 있도록 자동으로 설정 모드로 진입합니다. 설정 모드에서는 다기능 버튼이 황색으로 느리게 점멸합니다(다이얼로그 1 참조). Bowers & Wilkins Music 앱에도 Panorama 3를 설정할 수 있다는 팝업이 표시되거나, 앱 Settings 페이지에서 'Add product'를 선택한 후 표시됩니다.

Panorama 3은 운영 상태 및 전력 사용량을 완전히 자동으로 관리하며, 20분 동안 아무 것도 하지 않으면 절전 모드로 전환됩니다. Panorama 3 전원을 끌 필요가 없지만, 꼭 꺼야 한다면 주 전원 공급 장치와 연결을 해제하면 됩니다. Panorama 3은 주 전원이 없어도 설정을 유지합니다.

## 3. 재시작/재부팅

후면 패널에 있는 초기화 버튼을 짧게 눌러 Panorama 3 스피커를 재시작할 수 있습니다(다이얼로그 1 참조). 이 버튼을 누르면 Panorama 3이 꺼졌다가 다시 부팅됩니다. Panorama 3를 재시작 해도 모든 설정이 그대로 유지됩니다. Bowers & Wilkins Music 앱의 Settings 페이지를 통해 Panorama 3를 재시작할 수도 있습니다.

## 4. 공장 기본값으로 초기화

Panorama 3를 공장 기본 설정으로 초기화하려면 초기화 버튼을 5초간 누르고 있습니다. 초기화 버튼 위치는 다이얼로그 1에서 찾을 수 있습니다. 재설정 프로세스는 빨간색 다기능 버튼과 오디오 신호로 표시됩니다. 이 프로세스는 Panorama 3를 종료합니다. 다시 시작될 때 Panorama 3은 설정 모드로 진입합니다. Panorama 3를 초기화하면 모든 설정이 삭제됩니다. Bowers & Wilkins Music 앱의 Settings 메뉴를 통해 Panorama 3를 초기화할 수도 있습니다.

## 5. 네트워크에서 설정

Panorama 3이 설정 모드에 있고 다기능 버튼이 황색으로 느리게 점멸하는 상태에서 iOS 또는 Android 장치에서 Bowers & Wilkins Music 앱을 시작합니다. 그러면 앱에서 프롬프트를 통해 설정 프로세스를 안내할 것입니다.

**참고:** Panorama 3은 설정 프로세스 동안 Bluetooth 연결을 사용하여 Bowers & Wilkins Home 앱을 실행하는 장치에 연결합니다. Bluetooth 신호는 비교적 범위가 짧아서 방을 나가면 끊길 수 있으므로, 설정 프로세스가 진행되는 동안 Panorama 3과 Bowers & Wilkins Home 앱을 제품을 제품과 가까운 곳에 두는 것이 좋습니다.

Bowers & Wilkins Music 앱을 사용하려면 사용자 계정을 만들어야 합니다. 앱을 처음 다운로드하면 계정이 있으면 계정에 로그인하고, 없으면 계정을 만들라는 메시지가 표시됩니다. 사용자 이름과 암호를 입력해야 합니다. 설정 전에 계정의 알람을 수정할 수도 있습니다. 계정을 만든 후에는 이메일 주소로 전송된 링크를 클릭하여 이메일 주소를 확인해야 합니다.

Bowers & Wilkins Music 앱은 먼저 설정 모드에서 제품을 검색한 다음, 설정 프로세스를 시작하려는 메시지를 자동으로 표시합니다. 또는 'your devices' 섹션에서 'Add product'를 선택하여 settings 메뉴에서 새 제품을 설정할 수 있습니다.

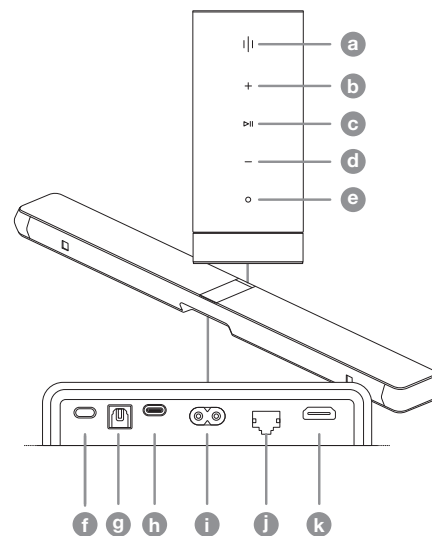


도표 1  
Panorama 3 제어판 및 커넥터

### 버튼/커넥터

- a 다기능
- b 볼륨 크게
- c 재생/일시정지
- d 볼륨 작게
- e 음성 비서
- f 초기화
- g 디지털 입력
- h 서비스
- i 전원
- j 이더넷
- k HDMI(ARC/eARC)

Bowers & Wilkins Music 앱의 설정 프로세스 중에 Panorama 3이 사용될 "스페이스"의 이름을 지정하라는 메시지가 표시됩니다. 권장하는 스페이스 이름 목록이 제공되지만, 직접 만들어도 됩니다. 스페이스 이름을 선택하거나 만들면 Panorama 3의 다기능 버튼을 눌러 선택 사항을 확인하라는 메시지가 앱에 표시됩니다.

Panorama 3에서 무선 네트워크 연결을 사용하려면 다음 설정 단계에서 Panorama 3을 홈 WiFi 네트워크에 연결합니다. 올바른 WiFi 네트워크를 확인하고 암호를 입력하라는 메시지가 앱에 표시됩니다. Panorama 3가 이더넷 케이블을 사용하여 네트워크 라우터에 연결된 경우 설정 프로세스의 이 단계를 건너뛸 수 있습니다.

**참고:** 다른 Bowers & Wilkins 호환 제품이 WiFi 네트워크에 이미 연결되어 있으면 Quick Connect 기능을 통해 WiFi 암호가 안전하게 공유되므로 Panorama 3에서 WiFi 암호를 입력할 필요가 없습니다.

WiFi 네트워크 구성 및 공간 선택이 완료되면 TV 연결을 위해 선택한 입력을 구성해야 합니다. 앱이 TV 설정을 단계별로 안내합니다. HDMI ARC/eARC로 TV에 연결한 경우 Bowers & Wilkins Music 앱은 Panorama 3를 TV에 연결하고 CEC를 활성화하는 방법을 보여줍니다. 이를 통해 TV 또는 셋톱 박스 리모컨으로 Panorama 3의 오디오를 제어할 수 있습니다. 광 커넥터로 TV를 연결한 경우 Bowers & Wilkins Music 앱은 Panorama 3를 TV에 연결하고 TV의 내장 스피커를 비활성화하는 방법을 보여줍니다. 그런 다음, Panorama 3가 TV 리모컨의 IR 명령을 학습하여 이 리모컨으로 Panorama 3를 제어할 수 있도록 할 것인지 묻는 메시지가 표시됩니다.

**참고:** 설정 과정에서 Panorama 3가 IR 명령을 수신하지 않으면 TV의 외부 장치에서 IR 지원 기능을 활성화해야 할 수 있습니다. 자세한 내용은 TV 설명서를 참조하십시오.

## 6. 독립형 Bluetooth 설정

제품을 네트워크에 연결할 필요 없이 Bluetooth를 통해 Panorama 3를 사용할 수 있습니다. Panorama 3이 설정 모드에 있는 동안, 즉, 다기능 버튼이 황색으로 느리게 점멸하는 동안 다기능 버튼을 5초간 누르고 있습니다. 그러면 Panorama 3이 오디오 프롬프트를 재생하고 다기능 버튼이 파란색으로 점멸합니다. Panorama 3이 현재 Bluetooth 페어링 모드이며 소스 장치 Bluetooth 메뉴를 통해 연결할 수 있다는 뜻입니다. Panorama 3은 Bluetooth 메뉴에서 'Panorama 3'이라는 이름으로 표시됩니다.

**참고:** 이 구성에서는 더 이상 네트워크 상에서 제품을 설정할 수 없습니다. 독립형 Bluetooth 모드에서 Panorama 3을 네트워크에 연결하려면 제품 후면에 있는 초기화 버튼을 통해 공장 기본값으로 초기화해야 합니다(섹션 4 참조).

다기능 버튼을 5초간 눌러 페어링 모드로 진입하면 Panorama 3을 여러 장치와 페어링할 수 있습니다. Panorama 3은 최대 8대의 장치와 페어링할 수 있습니다.

**참고:** Panorama 3은 페어링 모드를 2분 동안 유지하며 이 시간 동안 아무 장치도 페어링하지 않으면 페어링 모드가 종료됩니다. 페어링 모드에 다시 진입하려면 다기능 버튼을 누르고 있으면 됩니다.

## 7. Panorama 3 사용

### 7.1 스페이스

공간은 Bowers & Wilkins Music 앱 및 호환 제품의 핵심 개념입니다. "스페이스"는 집에서 음악을 듣는 방 또는 특정 영역을 의미합니다. Panorama 3을 같은 스페이스에서 다른 장치와 함께 사용할 수 없습니다.

### 7.2 Dolby 지원

Panorama 3는 다음 형식의 Dolby Digital 오디오를 지원합니다.

- Dolby Digital
- Dolby Digital Plus™
- Dolby Atmos
- Dolby TrueHD

Panorama 3는 이러한 모든 오디오 형식에 대해 자동으로 재생을 최적화하고 가능한 최고의 오디오 성능을 제공합니다.

### 7.3 스트리밍 음악

Panorama 3를 사용하여 Spotify, Apple Music, Qobuz, Tidal 등 스트리밍 서비스의 오디오를 재생할 수 있습니다. Bowers & Wilkins Music 앱, Spotify Connect®, AirPlay® 2 또는 Bluetooth에서 직접 스트리밍할 수 있습니다.

### 7.4 Bowers & Wilkins Music 앱을 통해 오디오 재생

제품을 연결하고 앱 내에서 음악 스트리밍 서비스를 사용하도록 설정한 후에는 스트리밍 서비스에서 음악을 검색할 수 있습니다. 재생하려는 트랙을 선택하고 'Play' 버튼을 누르기만 하면 됩니다. 스페이스가 하나뿐이면 자동으로 해당 스페이스에서 음악이 재생됩니다. 스페이스가 여러 개 있는 경우 'Play'를 누르면 집의 사용 가능한 스페이스 목록이 표시되며, 오디오를 재생하려는 스페이스를 탭하면 선택한 스페이스에서 오디오가 재생됩니다.

### 7.5 Spotify Connect를 통해 오디오 재생

휴대폰, 태블릿 또는 컴퓨터를 Spotify용 리모컨으로 사용하십시오. 방법을 알아보려면 <https://www.spotify.com/connect>로 이동하십시오.

### 7.6 AirPlay를 통해 오디오 재생

AirPlay를 사용하면 Apple 모바일, 노트북 또는 데스크톱 장치의 앱에서 네트워크를 통해 Panorama 3 같은 AirPlay 호환 스피커로 오디오를 스트리밍할 수 있습니다. AirPlay 지원 앱에는 AirPlay 아이콘이 표시됩니다.

AirPlay를 사용하려면 사용하려는 앱을 열고 재생할 콘텐츠를 선택합니다. AirPlay 아이콘을 탭하면 사용 가능한 장치 목록과 사용하려는 스페이스 이름이 표시됩니다.

### 7.7 Bluetooth를 통해 오디오 재생

Bluetooth를 사용하면 모바일, 노트북 또는 데스크톱 장치의 오디오 앱에서 무선으로 Panorama 3에 스트리밍할 수 있습니다.

Bluetooth를 사용하려면 먼저 장치를 Panorama 3과 페어링해야 합니다. Bowers & Wilkins Music 앱에서 Settings를 선택한 다음, 페어링하려는 장치가 들어 있는 스페이스를 선택합니다. 'Pair new device'를 선택하면 Panorama 3이 Bluetooth 페어링 모드로 전환됩니다. 장치의 Bluetooth 메뉴로 이동하면 Panorama 3과 페어링할 수 있습니다. Panorama 3은 Bluetooth 페어링 메뉴의 스페이스 이름을 사용합니다. 페어링이 완료되면 소스 장치의 앱에서 오디오를 재생할 수 있습니다. Bowers & Wilkins Music 앱에서 Panorama 3과 페어링된 장치 목록을 볼 수 있습니다.

**참고:** Panorama 3은 페어링 모드를 2분 동안 유지하며 이 시간 동안 아무 장치도 페어링하지 않으면 페어링 모드가 종료됩니다. 페어링 모드로 다시 진입하려면 위의 단계를 반복하십시오.

## 8. Bowers & Wilkins Music 앱

Bowers & Wilkins Music 앱은 기본 페이지에서 열립니다. 페이지 아래쪽에는 앱의 기본 색상을 탐색하는 4개의 탐색 아이콘이 있습니다. 4개의 아이콘은 browse, library, search 및 settings이며 노란색으로 표시되는 아이콘은 현재 있는 페이지를 나타냅니다.

### 8.1 Browse

Bowers & Wilkins Music 앱의 browse 페이지에는 화면을 좌우로 밀어 검색할 수 있는 리본 보기에 콘텐츠가 여러 행으로 정렬되어 있습니다. browse 페이지에는 사용자의 음악 취향을 기반으로 생성된 추천 재생 목록, 최근에 재생한 음악, Bowers & Wilkins에서 큐레이팅한 추천 재생 목록이 표시됩니다. 화면을 아래로 스크롤하여 앱에 연결한 스트리밍 서비스에서 음악을 찾을 수도 있습니다.

**참고:** 추천 목록은 사용자가 호감을 표시한 장르, 아티스트, 앨범 및 트랙을 기반으로 생성됩니다. 호감을 표시하려면 간단하게 하트 기호를 클릭하면 됩니다. 호감을 많이 표시할수록 추천 목록의 정확도가 향상됩니다. 추천 목록은 사용자 및 사용자의 Bowers & Wilkins 계정에서 유지되며 음악 스트리밍 서비스와 연결되지 않습니다.

### 8.2 Library

Library 페이지에는 Bowers & Wilkins Music 앱 또는 스트리밍 서비스에서 호감을 표시한 모든 콘텐츠가 그룹화됩니다. 여기서 음악, 팟캐스트 및 라디오를 기준으로 콘텐츠를 검색할 수 있습니다. 스트리밍 서비스 기본 앱에서 콘텐츠에 호감을 표시한 경우 해당 콘텐츠가 Bowers & Wilkins Music 앱 Library에 바로 표시되지 않을 수 있습니다.

### 8.3 Search

Bowers & Wilkins Music 앱에서 검색 기능을 통해 음악을 검색할 수 있습니다. Bowers & Wilkins Music 앱은 연결된 모든 스트리밍 서비스의 결과를 검색합니다.

## 8.4 Settings

Settings 페이지에서는 집에 있는 여러 제품을 구성할 수 있습니다. settings 페이지는 다음과 같은 섹션으로 나뉘어 있습니다.

- **Your Spaces**  
집의 모든 스페이스가 여기에 나열됩니다. 여기서 개별 장치를 구성할 수 있습니다.
- **Your Account**  
이 섹션에서는 계정 세부 정보를 수정하고 음악 서비스를 앱에 연결할 수 있습니다.
- **Your Products**  
이 섹션에서는 집에 있는 제품의 업데이트를 실행할 수 있습니다.

## 8.5 스트리밍 서비스 연결

Bowers & Wilkins Music 앱에서 Qobuz, Tidal, Deezer 등 다양한 스트리밍 서비스의 음악을 선택하고 재생할 수 있습니다. 이렇게 하려면 Bowers & Wilkins Music 앱을 음악 스트리밍 서비스에 연결해야 합니다. 이 작업은 settings 에서 'Your Account'의 'Link services' 버튼을 통해 수행할 수 있습니다. 이 버튼을 탭하고 화면의 지침을 따르면 됩니다.

## 8.6 플레이어 보기

Panorama 3에서 오디오가 재생되는 동안 볼륨을 조절하고, 오디오를 재생/일시 정지하고, 앞으로 건너뛸 수 있습니다. 화면 왼쪽 상단에서 아래쪽 화살표를 눌러 플레이어 보기를 최소화할 수 있습니다. 이렇게 하면 플레이어 보기가 기본 화면 하단에 최소화됩니다. 언제든지 미니 플레이어 보기를 탭하여 최대화할 수 있습니다.

## 9. 소프트웨어 업데이트

Panorama 3은 네트워크에 연결되는 스피커이므로 소프트웨어 업데이트를 통해 안정성을 높이고 새 기능을 사용할 수 있습니다. 네트워크에 있는 제품의 소프트웨어 업데이트가 출시되면 settings 아이콘에 태그가 표시됩니다. settings 페이지로 이동하면 사용 가능한 업데이트가 표시됩니다. 업데이트를 탭하면 네트워크에 있는 제품 중에서 업데이트가 필요한 모든 제품의 업데이트가 실행됩니다.

## 10. 오디오 조정

스피커 배치는 오디오에 영향을 줄 수 있습니다. 스피커를 벽에 가까이 배치하면 베이스가 과도하게 강조될 수 있고 스피커가 청취자를 향하고 있지 않으면 고주파 콘텐츠가 약해질 수 있습니다. 따라서 Panorama 3의 베이스 및 트레블 설정을 조정하면 방 안에서 스피커 위치를 유연하게 배치할 수 있습니다. 이 설정에 액세스하려면 settings를 선택하고 조정하려는 제품이 포함된 스페이스를 선택한 다음, 장치를 선택합니다. 그러면 베이스 및 트레블을 -6dB~+6dB 사이에서 조정할 수 있습니다. 이 설정은 전원 공급이 끊어질 때 Panorama 3에 저장되지만, 공장 기본값으로 초기화하면 초기화됩니다.

## 11. Amazon Alexa

Panorama 3은 Amazon Alexa 음성 비서가 기본 탑재되는 스마트 스피커입니다. 이 기능을 사용하려면 Bowers & Wilkins Music 앱에서 장치 수준 설정 페이지로 이동합니다. Settings를 선택한 다음, 음성 지원을 사용하려는 Panorama 3이

포함된 스페이스를 선택합니다. 그런 다음, 장치를 선택합니다. 장치 설정 페이지가 표시됩니다. 여기서 Amazon 계정을 연결하여 Amazon Alexa를 사용할 수 있습니다. 링크를 클릭하고 지침을 따르면 됩니다. 언제든지 Alexa 계정에서 Panorama 3을 연결 해제할 수 있습니다.

Alexa에게 음성으로 명령하려면 시동어 "Alexa"를 말하거나 Panorama 3의 음성 비서 버튼을 누르면 됩니다. 음성 비서 버튼을 누르고 있으면 Alexa 마이크가 음소거됩니다.

## 12. Panorama 3 컨트롤

Panorama 3의 후면 상단 패널에는 재생/일시 정지 제어, 볼륨 조정 및 음성 비서를 제공하는 버튼이 있습니다(다이어그램 1 참조).

Play/Pause 버튼을 누르면 오디오 재생이 중지되거나 다시 시작됩니다.

볼륨 크게 또는 작게 버튼을 누르면 재생 중인 오디오의 볼륨이 조정됩니다. 볼륨 크게 또는 작게 버튼을 누르고 있으면 볼륨이 점점 커지거나 점점 작아집니다.

다기능 버튼을 터치하면 Panorama 3에서 사용할 수 있는 활성 스트림과 소스를 순환하며 재생합니다. Panorama 3 다기능 버튼의 불빛은 다양한 작동 상태에 따라 변합니다. 불빛은 다이어그램 2에서 확인할 수 있습니다.

음성 비서 버튼을 누르면 시동어를 말할 필요 없이 음성 비서에 말할 수 있습니다. 이 기능을 사용하려면 Panorama 3에서 음성 서비스를 사용하도록 설정해야 합니다.

## 13. 청소

Panorama 3을 청소해야 하는 경우 윗면은 깨끗하고 보프라기 없는 면으로, 그랄은 부드러운 브러시로 닦으면 됩니다. 세제를 사용하려는 경우 세제를 Panorama 3에 직접 묻히지 말고 청소용 면에 묻혀 닦아야 합니다. 일부 세정 제품은 표면을 손상시킬 수 있으므로 국소 부위에 테스트한 후 사용하십시오. 연마재나 산성, 알칼리성 또는 향균성 물질이 포함된 제품은 사용하지 마십시오.

## 14. 지원

제품과 관련하여 추가적인 도움이나 조언이 필요한 경우 고객 지원 사이트([www.bowerswilkins.com/support](http://www.bowerswilkins.com/support))를 방문하십시오.

## 15. 환경 정보

이 제품은 사용자의 개입 없이 자동으로 전원 상태를 관리합니다. 제품이 네트워크에 연결되어 있고 사용되고 있지 않으면 소비 전력이 자동으로 2W 미만으로 감소합니다.

이 제품은 전기 및 전자 장비에 대한 RoHS(유해물질 제한 지침), REACH(신화학물질 관리 제도) 및 WEEE(전기전자장비 폐기물 처리지침)를 포함한(이에 국한되지 않음) 국제 지침을 준수합니다. 이 제품의 올바른 재활용 또는 폐기 방법에 대한 지침은 현지 폐기물 처리 담당 기관에 문의하십시오.

조명		작동상태
흰색 정멸		시동 중
황색 맥동		설정 준비 완료
황색 정멸		펌웨어 업데이트 진행 중
흰색 맥동		오디오 가져오기 진행 중
빨간색 맥동		오류 - 고객 지원으로 문의
빨간색 점등		오류 - 고객 지원으로 문의
빨간색 정멸		공장 기본값으로 초기화 진행 중
파란색 정멸		Bluetooth 페어링 모드
파란색 점등		블루투스 연결 설정됨

도표 2

멀티펄싱 표시등 조명

## 제품사양

기술적 특징	Bowers & Wilkins Music 앱과 호환 Apple AirPlay 2 Spotify Connect Bluetooth Alexa 지원 Dolby TrueHD Discrete Dolby Atmos 3.1.2 HDMI Earc
오디오 형식 지원	Dolby Atmos Dolby Digital True HD Dolby Digital Plus LPCM
블루투스	5.0, class 2
블루투스 코덱	aptX™ Adaptive AAC SBC
에어플레이 2 호환성	iOS 11.4 이상이 설치된 iPhone, iPad 및 iPod touch, tvOS 11.4 이상이 설치된 Apple TV 4K 또는 Apple TV(4세대), iTunes 12.8 이상이 설치된 Mac 또는 PC
앰프 전력	400W
출력 드라이브 유닛	3x 19mm(0.75") 티타늄 돔 트위터 6x 50mm(2") 직조 유리 섬유 콘 베이스/미드레인지 2x 50mm(2") 직조 유리 섬유 콘 Atmos 드라이브 유닛 2x 100mm(4") 로우 프로파일 베이스 유닛
주파수 응답	43Hz-48kHz
치수	65mm (h) x 1210mm (w) x 140mm (d)
무게	6.5kg
연결	1x HDMI ARC/eARC 1x 디지털 오디오 입력(Toslink) 1x RJ45 이더넷 1x USB-C(서비스 전용)
입력 전압	100V-240V, 50/60Hz
소비 전력	2W 미만

미국과 기타국가에서 HDMI 및 HDMI High-Definition Multimedia Interface라는 용어와 HDMI 로고는 HDMI Licensing Administrator, Inc.의 상표 또는 등록 상표입니다. Dolby, Dolby Atmos 및 Dolby Digital Plus는 Dolby Laboratories의 등록 상표입니다. Apple, AirPlay, Apple Music, iOS, iPhone, iPad, iPod touch, iTunes, Apple TV, Mac, macOS, OS X 및 tvOS는 Apple Inc.의 등록 상표입니다. 상표 "iPhone"은 일본에서 Aiphone KK의 라이선스로 사용됩니다. Spotify 및 Spotify Connect는 Spotify AB의 상표입니다. Spotify Connect 사용 가능 여부는 지역에 따라 다를 수 있습니다. 자세한 내용은 [www.spotify.com](http://www.spotify.com)을 확인하세요. Amazon, Alexa 및 모든 관련 로고는 Amazon.com, Inc. 또는 그 계열사의 상표입니다. Android는 Google LLC의 상표입니다. aptX는 Qualcomm Technologies, Inc. 및/또는 그 회사의 제품입니다. aptX는 미국 및 기타 국가에 등록된 Qualcomm Technologies International, Ltd.의 상표입니다. Bluetooth 워드 마크 및 로고는 Bluetooth SIG, Inc. 소유의 등록 상표이며 Bowers & Wilkins는 라이선스 하에 이러한 마크를 사용합니다. 기타 상표 및 상호는 해당 소유자의 것입니다.